

**Spray Pattern of Windshield Washer System Uneven (SY 56/23)**

Model Line: **Macan (95B)**

Model Year: **As of 2019 up to 2023**

Concerns: **Spray nozzles for windshield washer system**

Symptom: Customers complain about an uneven spray pattern on one or both sides of the windshield washer system, whereby the water jet from one of the three spray nozzles does not hit the windshield.

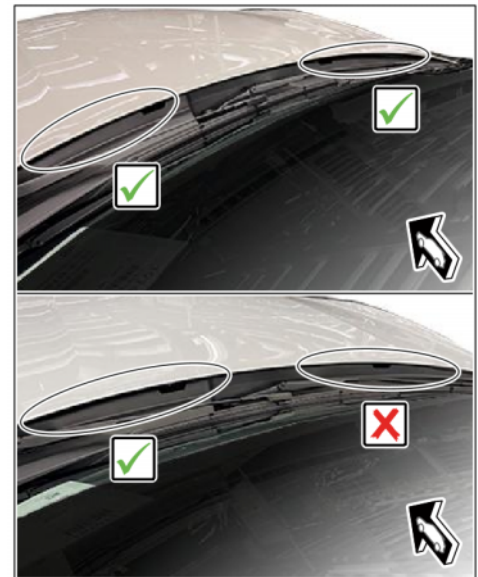
Cause: There is a possibility that the plenum panel cover is not installed correctly. As a result, one of the three spray nozzles may be covered by the cover so that the water jet from this nozzle does not hit the windshield, but instead hits the cover from the inside.

Remedial Action: If there is a complaint, install plenum panel cover correctly.



**Information**

An incorrectly mounted plenum panel cover can be recognized from partial (one-sided) or continuous (both sides) at a very short distance from the bonnet.



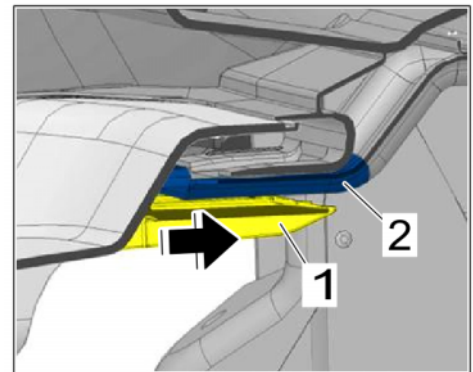
*Correct and incorrect assembly of plenum panel cover*

**Installing plenum panel cover correctly**

Work Procedure: 1 Remove plenum panel cover and then install it correctly.  
Make sure that the tab ⇒ *Tab on plenum panel cover / tab on body-1* on the cover engages under the tab ⇒ *Tab on plenum panel cover / tab on body-2* on the body.



*Tab on plenum panel cover / tab on body*



*Correct positioning of tabs  
(plenum panel cover)*

2 Perform a function test on the windshield washer system.

**Labor position and PCSS encryption**

Labor position:

| APOS     | Labor operation                     | I No. |
|----------|-------------------------------------|-------|
| 50871900 | Remove and install water tank cover |       |

PCSS encryption:

|                          |       |                                       |
|--------------------------|-------|---------------------------------------|
| <b>Location (FES5)</b>   | 92660 | Windshield washer system spray nozzle |
| <b>Damage type (SA4)</b> | 1614  | Function not as specified             |

**Important Notice:** Technical Bulletins issued by Porsche Cars North America, Inc. are intended only for use by professional automotive technicians who have attended Porsche service training courses. They are written to inform those technicians of conditions that may occur on some Porsche vehicles, or to provide information that could assist in the proper servicing of a vehicle. Porsche special tools may be necessary in order to perform certain operations identified in these bulletins. Use of tools and procedures other than those Porsche recommends in these bulletins may be detrimental to the safe operation of your vehicle, and may endanger the people working on it. Properly trained Porsche technicians have the equipment, tools, safety instructions, and know-how to do the job properly and safely. Part numbers listed in these bulletins are for reference only. The work procedures updated electronically in the Porsche PIWIS diagnostic and testing device take precedence and, in the event of a discrepancy, the work procedures in the PIWIS Tester are the ones that must be followed.

© 2023 Porsche Cars North America, Inc.