



Technical Service Bulletin

GROUP CAMPAIGN	NUMBER 23-01-037HG
DATE JUNE 2023	MODEL(S) G80 (DH)

SUBJECT: DH AUXILIARY CANISTER INSTALLATION
(SERVICE CAMPAIGN 902G)

★ IMPORTANT

Dealers must perform this service campaign on all affected vehicles prior to customer retail delivery and whenever an affected vehicle is in the shop for any maintenance or repair.

Access the "Vehicle Information" screen via WEBDCS to identify open Campaigns.

Description: Certain 2017-2020MY G80 vehicles may exceed evaporative emissions standards due to Onboard Refueling Vapor Recovery (ORVR) system. To correct this symptom, install an auxiliary canister assembly between the canister and Canister Close Valve (CCV).

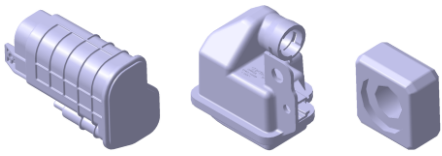


STUI



As outlined in the Digital Documentation Policy, all claims require VIN and Mileage validation through VCI connection or photo capture. Additionally, please ensure the repair Part photo requirement is completed according to the steps in the TSB. **All claims submitted that have incomplete, illegible, or missing documentation are subject to debit.**

Applicable Vehicles (Certain): 2017-2018MY G80 (DH) equipped with 3.8L and 5.0L engines produced from 03/17/2016 - 04/30/2018

Parts Information:

Part Name	Part Number	Figure	Qty.
Auxiliary Canister Kit	31410-B1500QQH		1 QTY CANISTER ASSY (31420-D2800) 1 QTY AIR FILTER (31453-D2800) 1 QTY NUT-SQUARE (KGHAE1089)
00305-SC902G	Campaign Sticker		Apply to all vehicles regardless of State
NP050-09006	Vehicle Emission Recall-Proof of Correction Card		Order only for States: CA, CT, DE, MA, MD, ME, NJ, NY, OR, PA, RI, VT, WA.

Warranty Information:

Model	Op. Code	Operation	Op. Time	Causal Part	Nature Code	Cause Code
G80 (DH)	10D013R0	AUXILIARY CANISTER INSTALLATION & STICKER INSTALL	0.7 M/H	31410-B1500QQH	I73	ZZ6

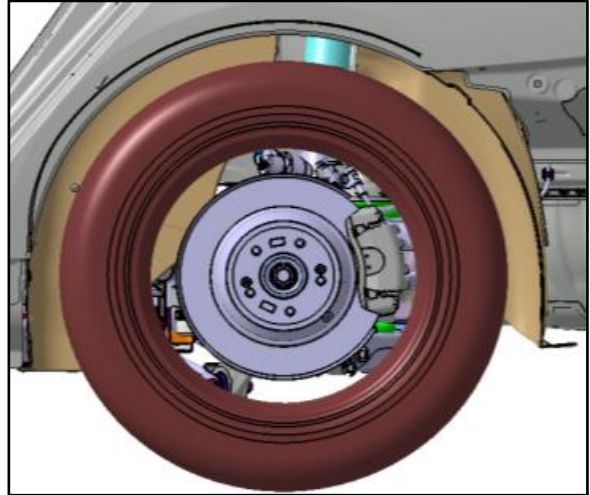
NOTE 1: Submit claim on Claim Entry Screen as “Campaign” type.

NOTE 2: If a part is found in need of replacement while performing this Campaign and the affected part is still under warranty, submit a separate warranty claim using the same Repair Order. If the affected part is out of warranty, submit a Prior Approval Request for goodwill consideration prior to performing the work.

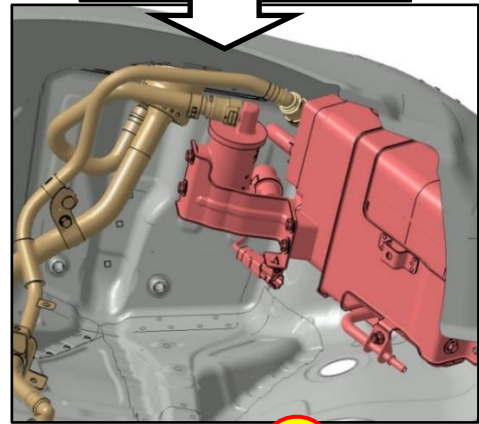
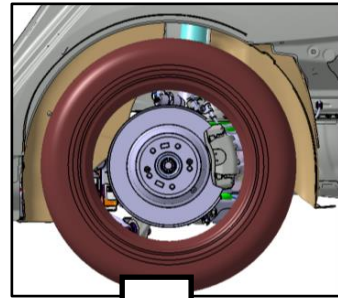
NOTE 3: Op times include VIN, Mileage and Part (if applicable) validation. **All claims submitted that have incomplete, illegible, or missing documentation are subject to debit.**

Service Procedure:

1. Lift the vehicle.

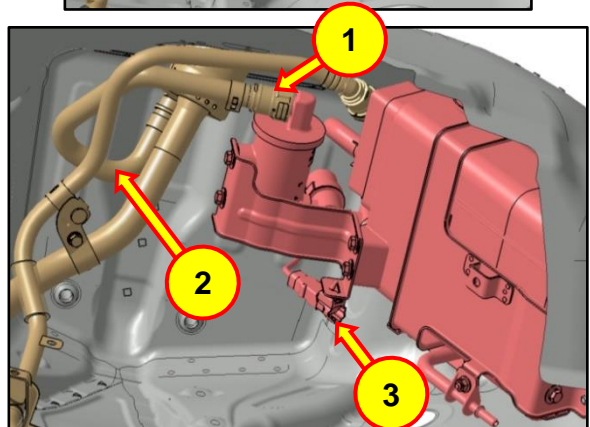


2. Remove the tire and wheel guard to expose the inside LH rear wheel housing.



3. Remove the air filter and CCV.

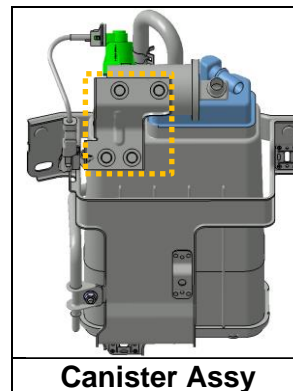
1. Remove the vent hose connected to the air filter.
2. Cut the middle of the vent hose to prevent interference as it is not going to be used and will hang freely.
3. Remove the vehicle side CCV extension wire connector.



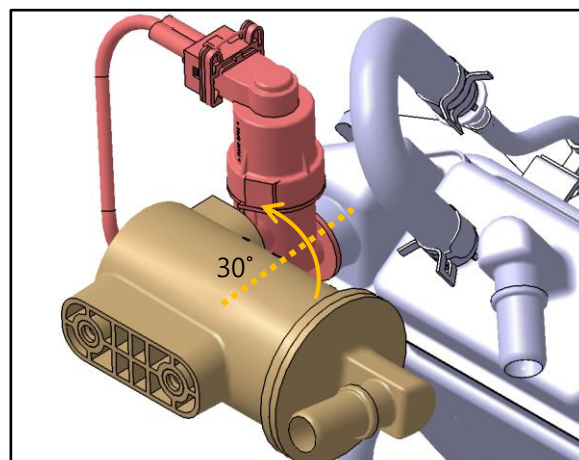
4. Remove the bracket mounting bolts at the Canister Assy and the bolt securing the bracket to the air filter.

NOTICE

Keep bolts for reuse.

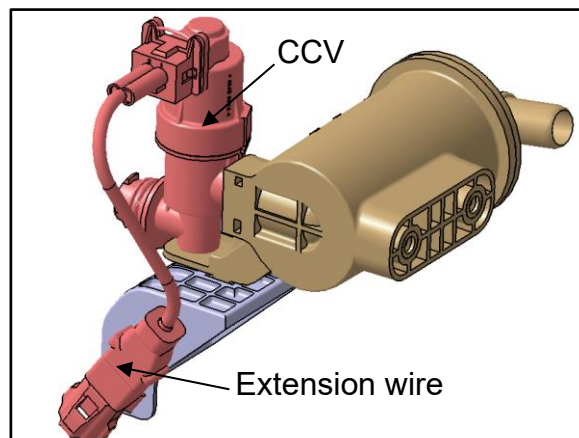


5. Remove the connected air filter, CCV, and air filter bracket assembly by rotating the assembly 30° counterclockwise and detaching it.

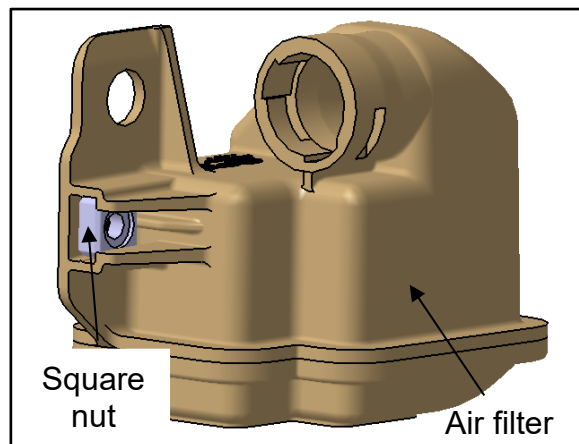


6. Remove the CCV and extension wire from the removed assembly by rotating clockwise.

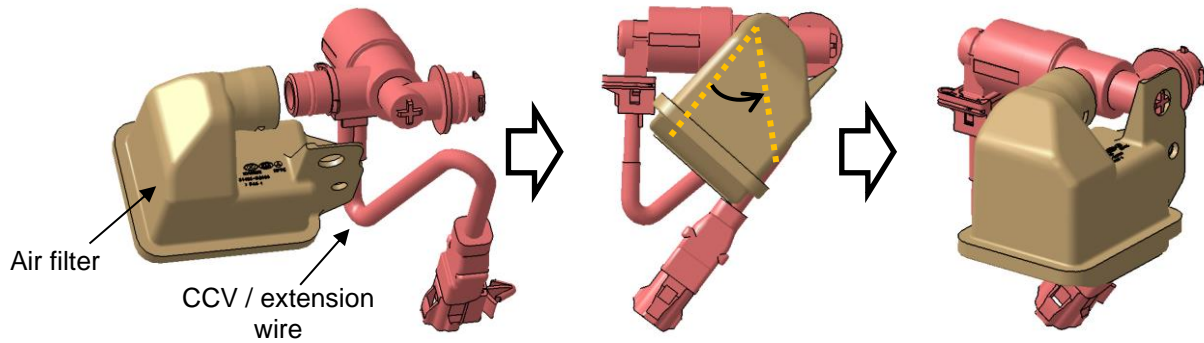
The CCV and extension wire will be reused.



7. Attach the square nut to the new supplied air filter.

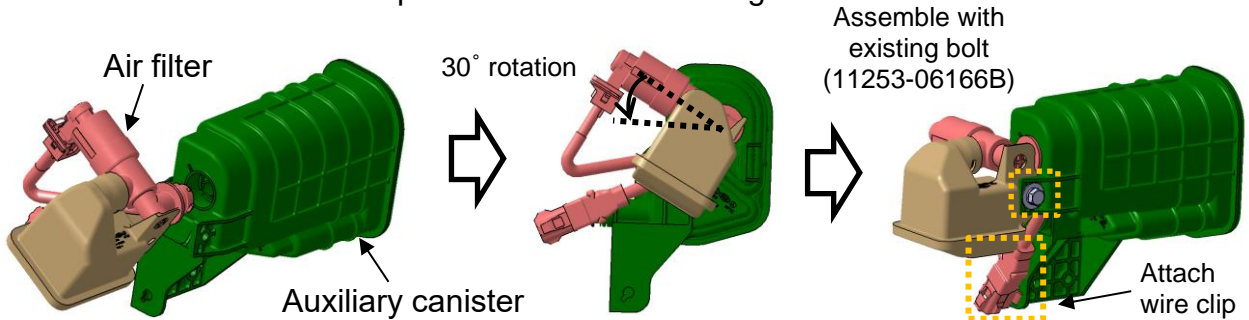


8. Attach the air filter to the CCV and extension wire. 40° rotation

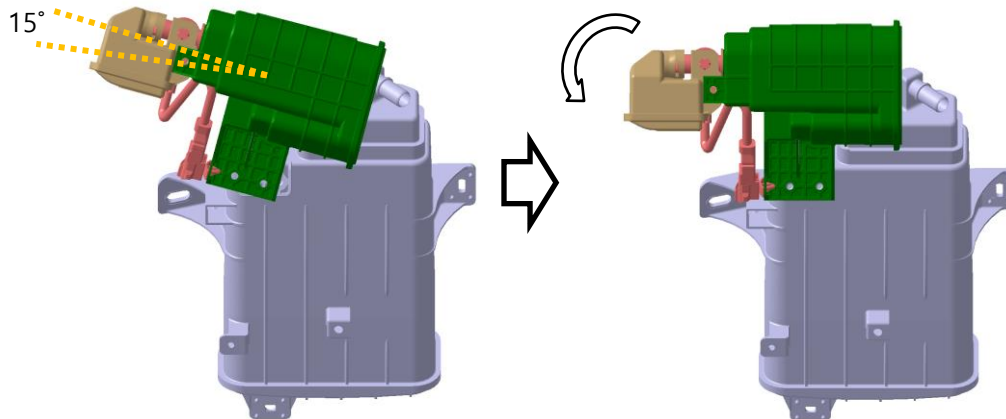


9. Install the assembled air filter to the auxiliary canister.

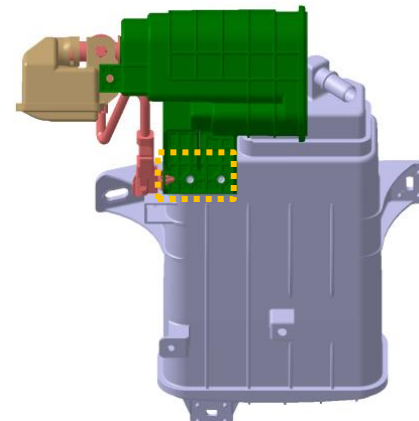
Attach the wire extension clip to the canister mounting hole.



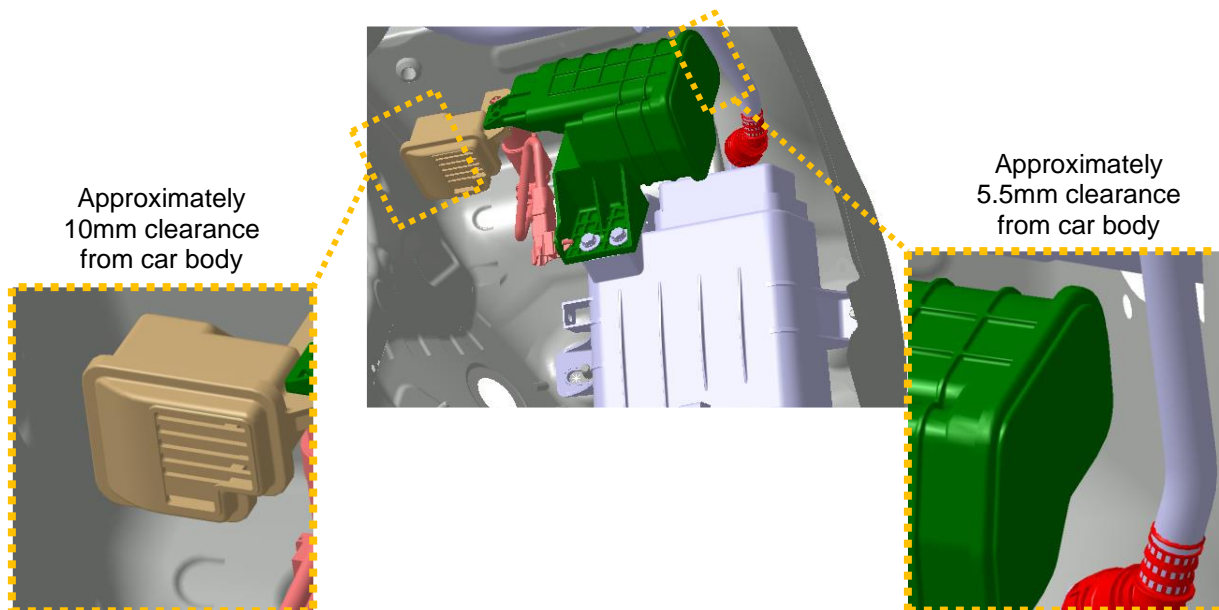
10. Press and rotate the auxiliary canister 15°, then rotate the canister back in the reverse direction.



11. Reassemble the removed air filter bracket mounting bolts.



12. Verify the auxiliary canister assembly installation using the reference diagrams below.

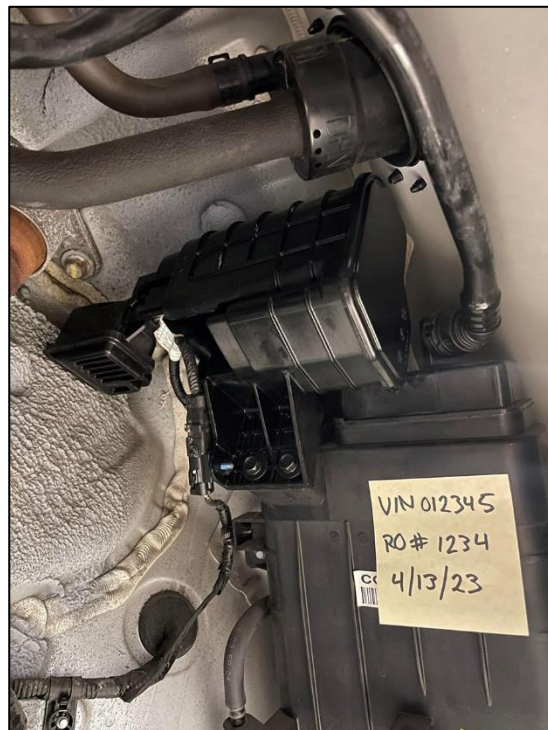


- 13.

STUI

Using STUI, photograph the auxiliary canister along with the last 6 digits of the VIN and the date of the repair on a piece of paper.

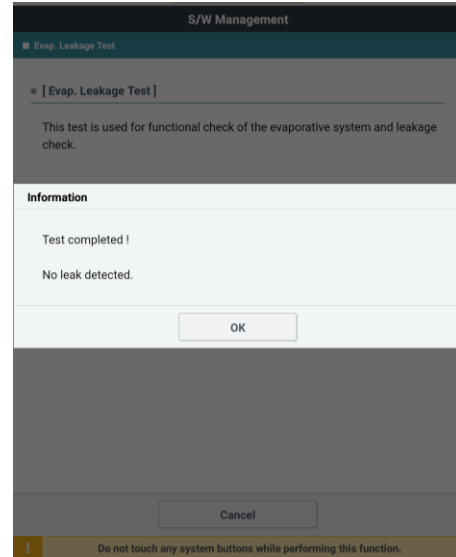
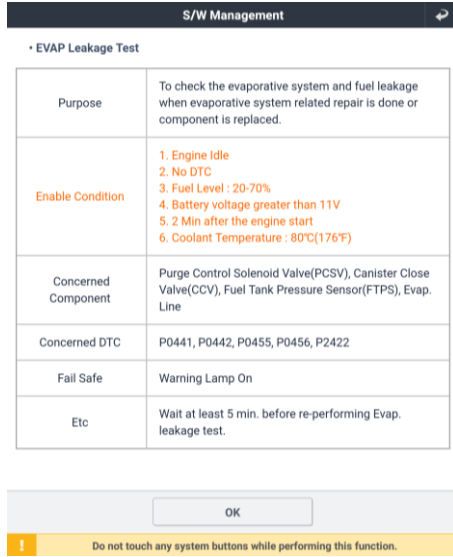
Upload the photo to STUI.



14. Reinstall all parts in reverse order of removal.

15. Perform GDS Evap Leakage Test according to the GDS instructions.

This confirms installation of parts and hoses are secure without a vacuum leak.



16. Using a permanent marker or pen, fill in the information on the 00305-SC902G Campaign Sticker and apply onto the hood in the area next to the Emission Label as shown.

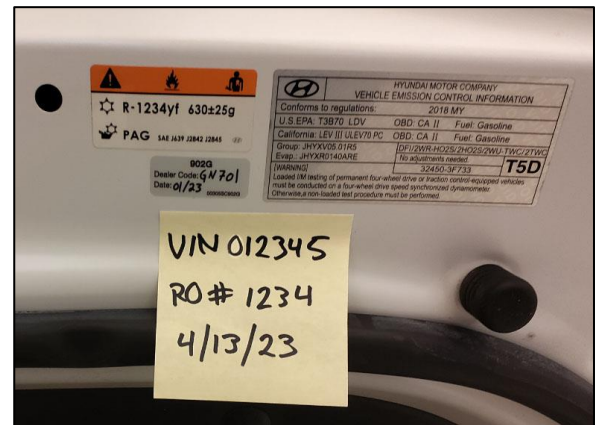
Be sure to clean the mounting surface to ensure proper label adhesion.



17. Using STUI, photograph the already installed campaign sticker next to the emissions label with the last 6 digits of the VIN and the date of the repair on a piece of paper.

STUI

Upload the photo to STUI.



18. **NOTE: This step is only for vehicles registered in California, Connecticut, Delaware, Maine, Maryland, Massachusetts, New Jersey, New York, Oregon, Pennsylvania, Rhode Island, Vermont and Washington:**

VEHICLE EMISSION RECALL - PROOF OF CORRECTION CARD

A Vehicle Emission Recall - Proof of Correction card must be filled out for all vehicles registered in California, Connecticut, Delaware, Maine, Maryland, Massachusetts, New Jersey, New York, Oregon, Pennsylvania, Rhode Island, Vermont and Washington. Residents of these states, who own an affected vehicle, will be required to possess a Vehicle Emission Recall - Proof of Correction card as evidence of voluntary service campaign completion, when they apply for vehicle registration renewal.

WHAT TO DO WITH THE CARD:

The Vehicle Emission Recall - Proof of Correction card must be completed by the Dealership's Service Manager using a permanent ink pen. A fine point pen is recommended. When filling in the information, copy the information directly from the vehicle, not from the repair order. ALL INFORMATION MUST BE PRINTED AND NEAT.

The completed card must be given to the vehicle owner upon Campaign completion.

The diagram shows a 'Vehicle Emission Recall - Proof of Correction' card with the following fields and instructions:

- 1. Enter Vehicle's License No.
- 2. Enter "Hyundai" (Manufacturer)
- 3. Enter Model Year
- 4. Enter "Genesis" (Body Type)
- 5. Enter the vehicle's VIN Number
- 6. Enter "902G" (Recall Number)
- 7. Enter Dealership Name
- 8. Enter Dealership's Address. NOTE: Enter the physical address, not the mailing address (not a P.O. Box)
- 9. Enter Date of Repair
- 10. Service Manager Sign Here

The card includes the following text: "Manufacturer: _____ Recall Number: _____", "The above described vehicle has been repaired, modified and/or equipped with new emission control devices to meet applicable California Emission Control Laws.", "Dealer's Name _____ Address, City, State and Zip _____", "Date _____ Dealership's Authorized Signature _____", and "Return this certificate to DMV only when required - otherwise retain for your records." The card number NP050-09006 8/14 is printed in the bottom right corner.