



46-22-01 - Front of Vehicle Rattle/Knocking Noises when Driving on Poor Roads

Release date: 6/7/2023

Condition

Applicable Vehicles						
Model(s)	Year	Eng. Code	Trans. Code	VIN Range From	VIN Range To	PR Code
ID.4	2021-2023	All	All	E2_MP000001	E8_PC031654	1LC, 1LN

Revision Table			
Instance Number	Published Date	Version Number	Reason For Update
2066944/3	06/7/2023	46-22-01	Updated to include VIN range.
2066944/2	04/24/2023	46-22-01	Updated to include additional model year applicability.
2066944/1	5/18/2022	46-22-01	Original publication.

When driving over bumps or on poor roads, rattling/knocking noises can be heard from the front of vehicle.

Technical Background

Current production lower retaining plates for brake pads allowing brake pads to shift causing a rattle noise.

Production Solution

Production solution is pending.

Service

Replace lower retaining plates for brake pads on the front brake system (left/right).

**Note:**

It is not necessary to replace the front brake pads to resolve this complaint. Replace only the lower retaining plates on both the left and right side.

**46-22-01 - Front of Vehicle Rattle/Knocking Noises when Driving on Poor Roads**

Release date: 6/7/2023

**Tip:**

During this repair the front brake pads can be measured to see if they are at or near the wear limit. Brake pads are a maintenance item and are not covered for replacement by this Technical Service Bulletin. Coverage can be found in the Warranty Policy and Procedures Manual.

- Remove the front brake pads and lower retaining plates according to the repair manual (Figure 1, arrows).

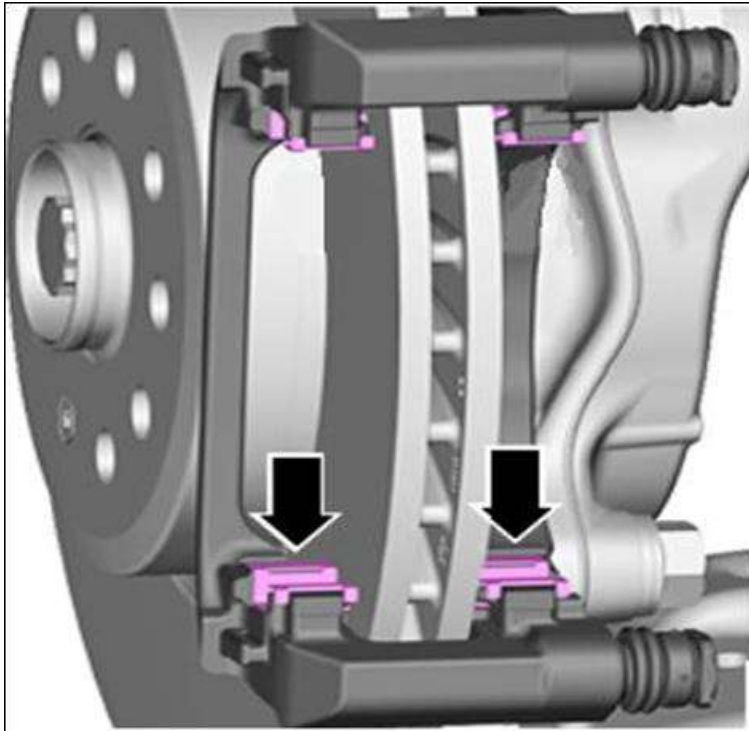


Figure 1: Front left brake system

- Clean/remove dust from brake calipers and brake pads.

**46-22-01 - Front of Vehicle Rattle/Knocking Noises when Driving on Poor Roads**

Release date: 6/7/2023

- Install new lower retaining plates for brake pads (part number 1EA 615 231 B, see Figure 2) together with the original brake pads according to the repair manual.

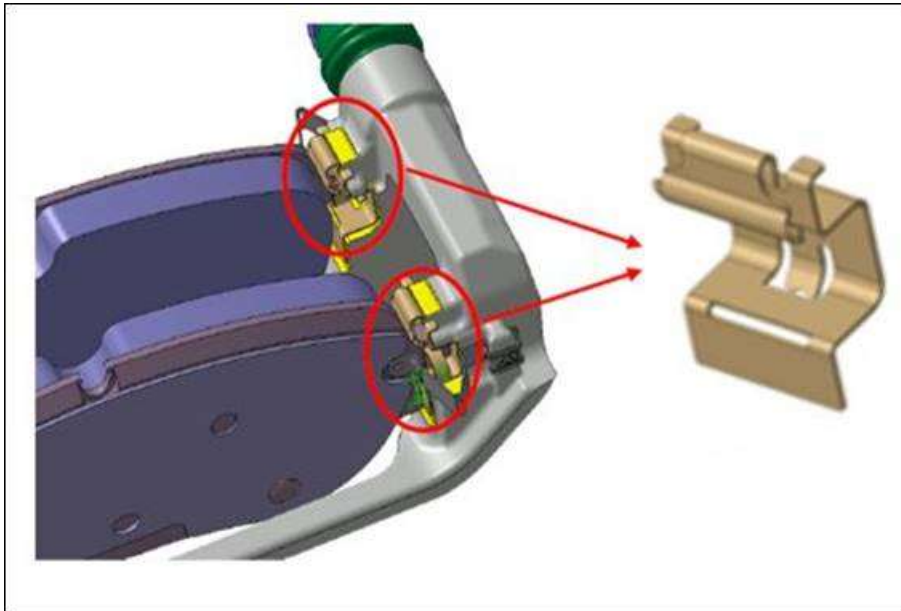


Figure 2: Retaining plates for the front brake pads.



46-22-01 - Front of Vehicle Rattle/Knocking Noises when Driving on Poor Roads

Release date: 6/7/2023

Warranty

To determine if this procedure is covered under Warranty, always refer to the Warranty Policies and Procedures Manual ¹⁾

Model(s)	Year(s)	Eng. Code(s)	Trans. Code(s)	VIN Range From	VIN Range To
ID.4	2021-2023	All	All	E2_MP000001	E8_PC031654
SAGA Coding					
Claim Type:			Use applicable Claim Type ¹⁾		
Service Number:	Damage Code	HST		Damage Location (Depends on Service No.)	
4636	0018	--		Use applicable when indicated in Elsa (L/R)	
Parts Manufacturer		ID.4		WVO ²⁾	
Original Part Number:			0204L60305		
Labor Operation ³⁾ : Remove and Install Front Wheels			44052000 = See Elsa for latest time units.		
Labor Operation ³⁾ : Pads for front disc brakes remove+reinstall			46362050 = See Elsa for latest time units.		
Causal Part:			1EA 615 231 B		
Diagnostic Time ⁴⁾					
GFF Time expenditure	01500000 = Actual GFF print out		NO		
Road Test	01210002 = 10 TU 01210004 = 10 TU		YES		
Technical Diagnosis	01320000 = 00 TU max.		NO		

Claim Comment: Input "As per Technical Bulletin 2066944" in comment section of Warranty Claim.

¹⁾ Vehicle may be outside any Warranty in which case this Technical Bulletin is informational only.

**46-22-01 - Front of Vehicle Rattle/Knocking Noises when Driving on Poor Roads**

Release date: 6/7/2023

- 2) Code per warranty vendor code policy.
- 3) Labor Time Units (TUs) are subject to change with ELSA updates.
- 4) Documentation required per Warranty Policies and Procedures Manual.

Required Parts and Tools

Part No:	Part Description	Quantity
1EA 615 231 B	Guide (Retaining Plate)	4

Part numbers are accurate at time of publication. Always refer to ETKA for the latest part information.

No Special Tools required.

Additional Information

All part and service references provided in this Technical Bulletin are subject to change and/or removal. Always check with your Parts Dept. and Repair Manuals for the latest information.