



SIB 34 02 23

2023-05-03

BRAKE SQUEAK OCCURS WITH COLD BRAKES AND DRIVING SLOWLY

THIS REPAIR IS MOBILE FRIENDLY

MODEL

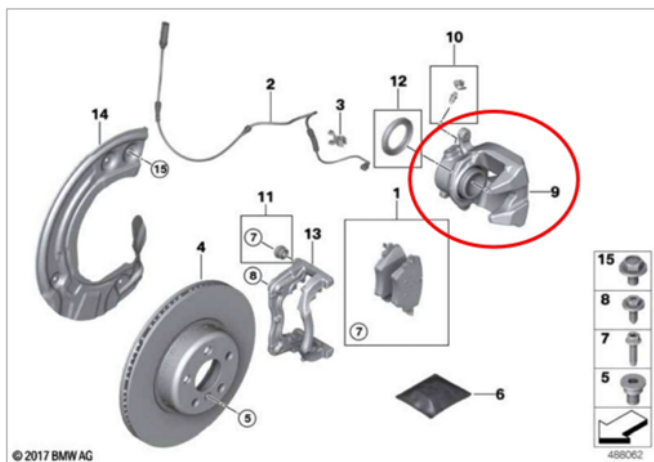
E-Series	Model Description	Engine	Affected Option Code
G01	X3 Sports Activity Vehicle	B46D, B46O, XB1G	Without: 2NH M Sport brake 3M2 M Sport brake, red high gloss
G02	X4 Sports Activity Coupe	B46D, B46O	Without: 2NH M Sport brake 3M2 M Sport brake, red high gloss

SITUATION

Brake squeak may occur with cold brakes and driving slowly or reversing.

See attached video V34 01 23.

The information of the Service Bulletin only applies to front axle brake disc size of 330 x 24 (4) and calipers with "floating design" (9) as shown.



04 Brake disc, lightweight, ventilated (330X24)	2	2
The following additional parts are also essential: - brake pads - brake pad sensor - brake pad paste refer to Repair Manual!		

CAUSE

Unfavorable tolerances of the front axle brake discs.

CORRECTION

Replace the front axle brake discs.

PROCEDURE

Removing and installing/replacing both front brake discs
Premium repair instructions | 34 11 220 | REP-REP-P-3411220-G01_02 - V.3
Technical document

Removing and installing/replacing both front brake discs
Premium repair instructions | 34 11 220 | REP-REP-P-3411220-G01_03 - V.3
Technical document

Removing and installing/replacing both front brake discs
Premium repair instructions | 34 11 220 | REP-REP-P-3411220-G01_01 - V.3
Technical document

Replace the front axle brake discs with pads as per REP34 11 220 "Removing and installing/replacing both front brake discs".

Note: The correct repair instruction to select for the vehicle application is REP-REP-P-3411220-G01_03-V.3 as shown.

PARTS INFORMATION

Obtain and confirm the part numbers for your specific vehicle by entering the chassis number in either ETK or AIR which considers specific equipment and/or options.

Part Number	Description	Quantity
34 10 6 880 072	Brake disc, lightweight, ventilated (330 x 24)	2
Refer to AIR/ETK	Repair kit, brake pads asbestos-free	1
Refer to AIR/ETK	Brake pad wear sensor, front	1
34 10 6 864 424	Torx screw with washer (M12X1,5X43 ZNS3)	4
34 20 6 850 560	Hex bolt (M8X22)	4

CLAIM INFORMATION

Covered one-time under the terms of the BMW New Vehicle Limited Warranty for Passenger Cars and Light Trucks.

Note: Only one (1) Main labor operation code can be claimed per workshop visit.

Defect Code:	3411003900	Brake disc, front Unpleasant noises
---------------------	-------------------	--

Diagnosis

Labor Operation	Description	Labor Allowance
34 99 000*	Verifying the issue described in this Service Information Bulletin (Work time)	WT
Or		
00 58 500*	Diagnosis Worktime Flat Rate	2 FRU

And, together with the applicable repair below that was performed:

Repair

Labor Operation	Description	Labor Allowance
34 11 220	Removing and installing/replacing both front brake discs (Main)	Refer to AIR
Or:		
34 11 609	Removing and installing/replacing both front brake discs (Plusposition)	Refer to AIR
Or:		
34 11 610	Removing and installing/replacing both front brake discs (Associated work, wheels removed)	Refer to AIR
Or:		
34 11 613	Removing and installing/replacing both front brake discs (Associated work, brake pads removed)	Refer to AIR

CBS Data Reset – Brake Pads

- A. The standard CBS reset in the vehicle is possible with a partially ground down brake pad wear sensor. The corresponding CBS display in the Central Information Display (CID) is active.
- B. When the brake pad wear sensor is not partially ground down, the CBS reset is only possible with the diagnostic system. The corresponding CBS display in the Central Information Display (CID) is not active.

Labor Operation	Description (Item B only)	Labor Allowance
00 00 006	Carrying out vehicle test (Main work)	Refer to AIR
Or:		
00 00 556	Carrying out vehicle test (Plus work)	Refer to AIR
And:		
61 21 528	Supporting voltage of the vehicle electrical system / recharging vehicle battery	Refer to AIR
And:		
62 99 000	Reset the brake pad CBS Data (Work time)	1 FRU

If you are using a Main labor code for another repair, use the Plus code labor operation 00 00 556 instead of 00 00 006, or exclude (including 61 21 528) when the Vehicle Test is included in another repair.

Refer to AIR for the corresponding flat rate unit (FRU) allowances.

Work time labor operation codes 34 99 000, 00 58 500 and 62 99 000 are not considered Main labor operations.

Maintenance Program - BMW Ultimate Care + Full (With Brake Pad Coverage)

If the vehicle has an active BMW Ultimate Care + Full maintenance program with brake pad coverage and the Front Brake Pad Service task shows Recommended, Due or Bundling Eligible (BE), then:

- Perform the Brake Pad Service task, and
- Reset the CBS data as applicable.

Submit and claim for the brake pad service task (labor and parts) under the BMW Maintenance Program Defect Code.

Claim the front discs part number under the DC 34 11 00 39 00 with labor operation code 34 11 613.

*Based on which one applies to your center, please refer to **SI B01 01 20** or **B01 07 20** for the applicable procedure for documenting, claiming, and explaining, on the RO and in the claim comments, your diagnosis work time (WT), job/repair work time (WT), and the vehicle repairs your center performed, unless otherwise required by State law.

FEEDBACK REGARDING THIS BULLETIN

Technical Feedback	To submit feedback for the technical topic of this bulletin: Submit your feedback in the rating box at the top of this bulletin
Warranty Feedback	To submit feedback for the CLAIMS section of this bulletin: Submit an IDS ticket to the Warranty Department, or use the chat available in the Warranty Documentation Portal
Parts Feedback	To submit feedback for the PARTS section of this bulletin: Submit an IDS ticket to the Parts Department

Supporting Materials

Videos

[34 01 23](#)

Copyright ©2023 BMW of North America, Inc.

