



GROUP	MODEL
ELE	2020MY Telluride (ON) LX/S/EX w/Halogen Headlamp
NUMBER	DATE
296 (Rev 1, 06/01/2023)	May 2023

TECHNICAL SERVICE BULLETIN

SUBJECT:

HALOGEN HEADLAMP REPLACEMENT

NOTICE

This bulletin has been revised to include additional information. New/revised sections of this bulletin are indicated by a black bar in the margin area.

This bulletin provides information associated with the 'Halogen Headlamp High Beam Warranty Extension Program' (WTY030) to replace the affected (left and/or right side) headlamp assembly on certain 2020MY Telluride (ON) LX/S/EX vehicles, produced at Kia Georgia from January 09, 2019 through November 18, 2019, which may exhibit a loss of high-beam functionality. Due to an internal failure in the headlamp, the high-beam lights may not illuminate when turning the light switch from the low to high beams. The low-beam lights may not illuminate when turning the light switch from the low to high beams. The low-beam function is not affected. The vehicle's warranty for this issue will be extended from 5 years/60,000 miles to 15 years/150,000 miles, whichever comes first, starting from the date the vehicle was first put into service. Follow the procedure outlined in this publication to replace the (left and/or right side) halogen headlamp assembly with a new part.



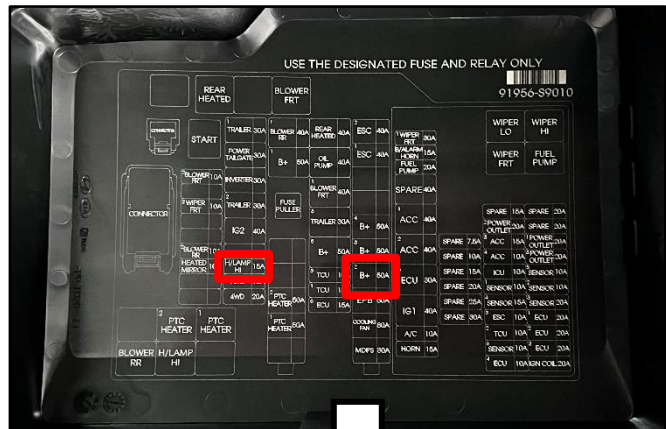
Halogen Headlamp Assembly

SUBJECT:

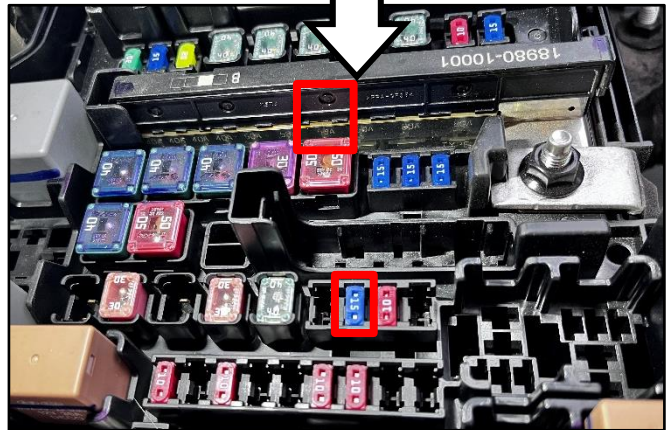
HALOGEN HEADLAMP REPLACEMENT

Inspection Procedure:

- Perform a visual inspection of the bulb.
 - If the bulb is **(OK)**, continue to step 2.
 - If the bulb is **(NG)**, this TSB does not apply. Claim Diagnosis Op Code **232A0710**.
- Ensure the 50A B+2 and 15A H/LAMP HI headlamp fuses are not blown.
 - If the fuses are not blown **(OK)**, proceed to step 3.
 - If the fuses are blown **(NG)**, this TSB does not apply. Claim Diagnosis Op Code **232A0710**.



Note: The multi-fuse does not need to be removed to inspect the 50A B+2 fuse.



- Verify headlamp connector is properly seated.
 - If the connector is properly seated **(OK)**, proceed to 'Replacement Procedure'.
 - If the connector is **not** properly seated **(NG)**, remove connector and properly install. No further action required. Claim Diagnosis Op Code **232A0710**.

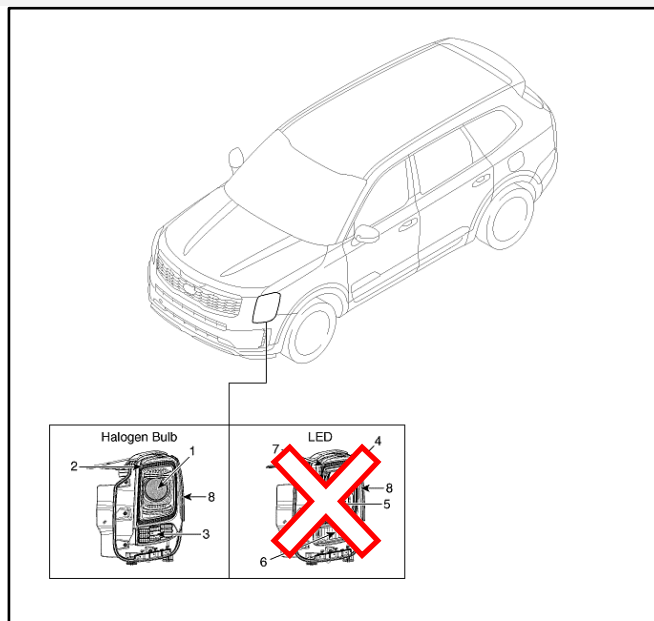
SUBJECT:

HALOGEN HEADLAMP REPLACEMENT

Replacement Procedure:

1. Replace the affected (left and/or right side) 'halogen' headlamp assembly by referring to "Body Electrical System → Lighting System → Headlamp → Repair procedures" in the applicable Shop Manual on KGIS.

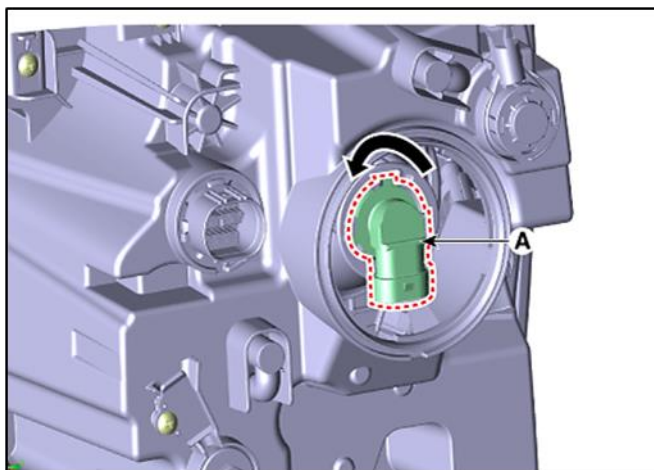
1. Low/High Beam
2. Daytime Running Light
3. Turn Signal Lamp
8. Side Marker



Note: Install the halogen bulb on the replacement headlamp assembly prior to installing the new headlamp.

ⓘ IMPORTANT

Re-use the bulb from the removed headlamp assembly. The halogen bulb is NOT INCLUDED with the new headlamp assembly.




2. Perform Head Lamp Aiming (Adjustment) "Body Electrical System → Lighting System → Headlamp → Repair procedures" in the applicable Shop Manual on KGIS.
3. Confirm normal headlamp lighting function and low-beam/high-beam operation.

SUBJECT:

HALOGEN HEADLAMP REPLACEMENT**AFFECTED VEHICLE RANGE:**

Model	Production Date Range
Telluride (ON)	January 9, 2019 to November 18, 2019

REQUIRED PART:

Part Name	Part Number	Figure	Qty.
Headlamp Assembly (Left Side)	92103 S9000FFF		1
Headlamp Assembly (Right Side)	92104 S9000FFF		1

WARRANTY INFORMATION:**N Code: I11 C Code: ZZ3**

Claim Type	Causal P/N	Qty.	Repair Description	Labor Op Code	Op Time	Replacement P/N	Qty.
W	92101 S9000	0	High-Beam INOP Diagnosis Only	232A0710	0.2 M/H	N/A	0
	92101 S9000	1	Halogen Headlamp Replacement & Aiming (Left Side)	232A07R0	0.9 M/H	N/A	0
	92102 S9000	1	Halogen Headlamp Replacement & Aiming (Right Side)	232A07R1	0.9 M/H	N/A	0
	92101 S9000	1	Halogen Headlamp Replacement & Aiming (Both Sides)	232A07R2	1.2 M/H	92102 S9000***	1

***OEM part number is to be used on RO open dates on or prior to 5/31/2023. All claims are subject to review and chargeback.

SUBJECT:

HALOGEN HEADLAMP REPLACEMENT

WARRANTY INFORMATION:

N Code: I11 C Code: ZZ3

Claim Type	Causal P/N	Qty.	Repair Description	Labor Op Code	Op Time	Replacement P/N	Qty.
W	92101 S9000	0	High-Beam INOP Diagnosis Only	232A0710	0.2 M/H	N/A	0
	92101 S9000		Halogen Headlamp Replacement & Aiming (Left Side)	232A07R0	0.9 M/H	92103 S9000FFF	1
	92102 S9000		Halogen Headlamp Replacement & Aiming (Right Side)	232A07R1	0.9 M/H	92104 S9000FFF	1
	92101 S9000		Halogen Headlamp Replacement & Aiming (Both Sides)	232A07R2	1.2 M/H	92103 S9000FFF (Left Side)	1
						92104 S9000FFF (Right Side)	1

Note: FFF parts are required to be used for RO open dates on or subsequent to 6/01/2023. All claims are subject to review and chargeback.

