

BODY/CHASSIS – FRONT SEAT CLICKS

Customer Voice:

- A customer may report that there is a clicking type noise coming from the front seat base while driving.

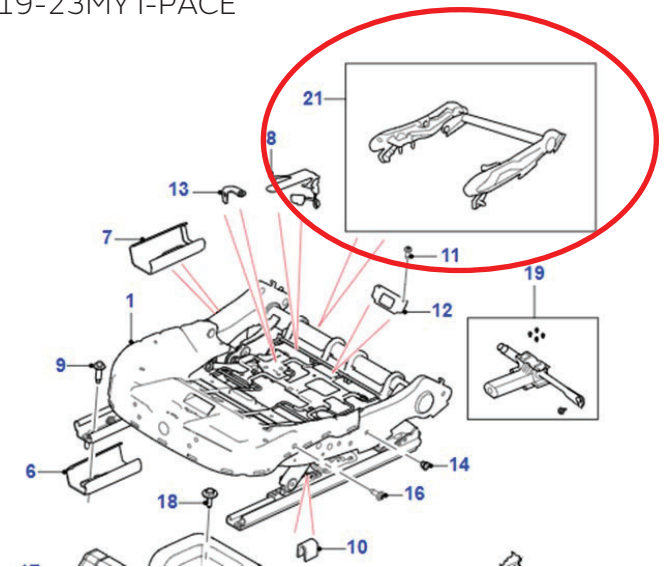
Technical Description:

- This may be caused by excessive clearance in the seat frame pivots.

Status:

- A seat cushion frame kit has been released as a lower-level repair part.
- Should a customer express a concern and diagnosis finds the noise coming from the front seat base, do not replace the complete seat base frame, please utilize the lower-level seat cushion frame kit to perform the repair.
- Please refer to the Workshop Manual, Section 501-10 Seating > Diagnosis and Testing > Seats > Pinpoint test B for diagnosis and repair guidance.

17-22MY F-PACE
19-23MY I-PACE



Part Number T2H55370