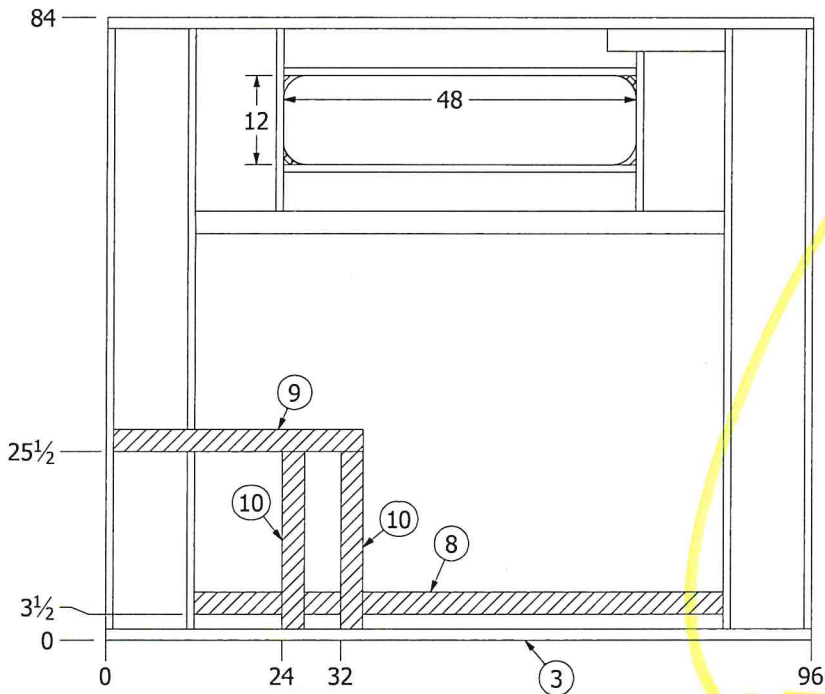


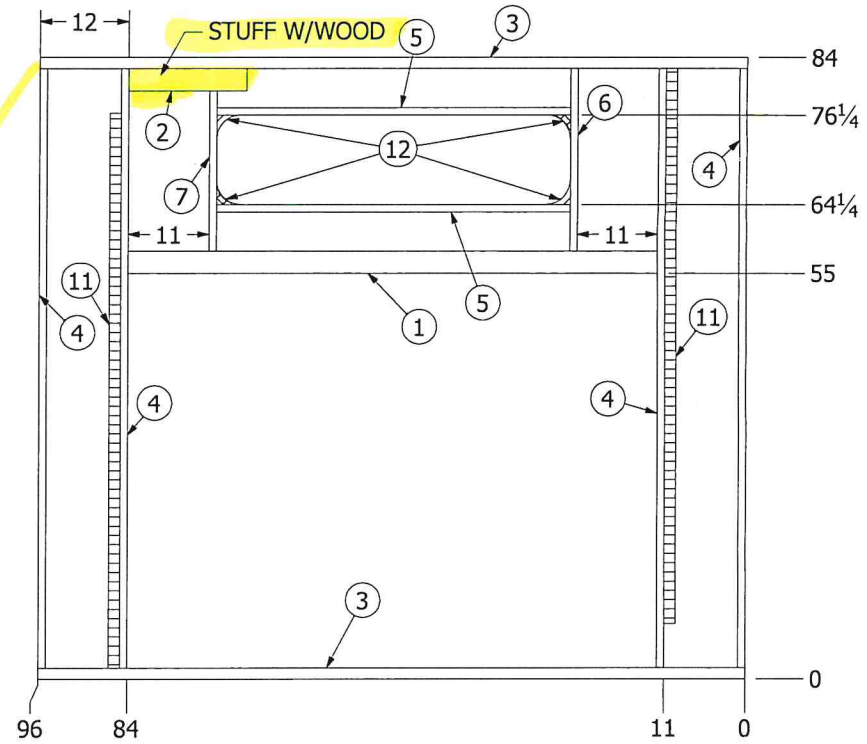
PANEL LAYOUT

PARTS LIST			PARTS LIST		
ITEM	QTY	DESCRIPTION	ITEM	QTY	DESCRIPTION
1	1	1" x 3" x 72" Aluminum Tube	9	1	3" x 34" x .019-EGS Backer
2	1	1" x 3" x 16" Aluminum Tube	10	2	3" x 24" x .019-EGS Backer
3	2	1" x 1 1/2" x 96" Aluminum Tube	11	2	1" x 1 1/2" x 75" - Plastic Wire Channel
4	4	1" x 1" x 81" Aluminum Tube	12	4	1 x 3.2" Radius Block
5	2	1" x 1" x 48" Aluminum Tube	13	2	48" x 84" - 2.7 MM - DÉCOR PANEL
6	1	1" x 1" x 24 1/2" Aluminum Tube	14	2	48" x 90" - 2.7 MM - LAUAN PANEL
7	1	1" x 1" x 21 1/2" Aluminum Tube	15	1	96" x 90" - FIBERGLASS PANEL - (DEFAULT)
8	1	3" x 72" x 0.019-EGS Backer			



INTERIOR VIEW
BACKERS

*L&I
Ladder
Backer*



EXTERIOR VIEW
WELDMENT

MODEL LIST
VBT28BH



THE INFORMATION CONTAINED IN THIS DOCUMENT IS PROPRIETARY, CONFIDENTIAL AND INTENDED ONLY FOR FOREST RIVER PERSONNEL. AUTHORIZED FOREST RIVER PERSONNEL OR OTHER QUALIFIED PERSONS SHOULD NOT REPRODUCE THIS DRAWING OR ANY REPRODUCTION THEREOF MAY BE MADE FOR ANY PURPOSE WITHOUT PERMISSION IN WRITING FROM FOREST RIVER, INC. IF YOU ARE NOT THE INTENDED RECIPIENT, PLEASE RETURN TO FOREST RIVER, INC. OR DESTROY. PLEASE NOTE THAT ANY USE OR CIRCULATION OF THIS DOCUMENT IS NOT PERMITTED AND MAY BE CAUSE FOR LEGAL ACTION.

REV	ECO #	DESCRIPTION	DATE	BY
E		PRINT CLEAN UP	2/25/2020	MB
F	eco-21-0655	UPDATED FOR HOT MELT	8/3/2020	SAB
G	ECO-22-0834	REMOVED BACKERS/ADDED 1x3 AL TUBE STUFFED W/ WOOD	3/14/2022	JL

BY: MSR	APPROVED BY:	FRACTIONAL TOLERANCE: +/- 1/16
DATE: 4/24/2018	SHEET #: 1 OF 1	ANGULAR TOLERANCE: +/- 1'
DESCRIPTION: REAR WALL ASSEMBLY		
REV: G	VENDOR PART#:	DRAWING #: 09-000081