



Volvo Car USA LLC

Technical Journal

Technical Journal Title		Ref. No.	
Creaking noise from right engine pad		TJ 36563.1.0	
Issuer (Dept.)		Issue Date	Status Date
Technical Service		3/14/23	3/17/23
Car Market	Partner	Function Group	
United States and Canada	3 US 7510 Volvo Car USA	2182	
Function Description		Page	
Rubber cushion		Page 1 of 3	

Attachment

File Name	File Size
TJ 36563.jpg	0.0947 MB
TJ 36563 Engine pad noise.mp4	5.0582 MB

DESCRIPTION:

If a creaking noise appears from the front right engine pad when turning sharp left at high load (see attached video *TJ 36563 Engine pad noise.mp4* for reference) and the outside temperature is under approx 41°F (5°C) for the first 10 minutes of driving, follow advice under “Service”.

CSC Customer Symptom Codes

Code	Description
8N	Driving/Unusual noise/Unsure when/at all times
F2	Driving/Unusual noise/During acceleration

Vehicle Type

Type	Eng	Eng Desc	Sales	Body	Gear	Steer	Model Year	Plant	Chassis range	Struc Week Range
224							2019-2099		-	201835-209952
225							2019-2099		-	201817-209952
227							2019-2099		-	201846-209952
234							2017-2017		-	201617-201816
235							2017-2099		-	201624-209952
236							2017-2099		-	201646-209952
238							2017-2099		-	201646-209952
246							2018-2099		-	201717-209952
256							2016-2099		-	201505-209952
536	16	B4204T18					2019-2099		-	201746-209952
536	AC						2018-2099		-	201746-209952
536	K9						2018-2099		-	201746-209952
536	L1						2018-2099		-	201746-209952
536	L1						2018-2099		-	201746-209952

SERVICE:

Apply lubricant, Würth P/N 0893550, along the length of the rubber where it touches the metal according to attachment *TJ 36563.jpg* ref. A.

Warranty claim info:

To get warranty claim accepted for a job described in this TJ, please use following data:
VST OP number: 99921-2.

Note that the TJ number must be stated in repair order text!

P/N = Part Number

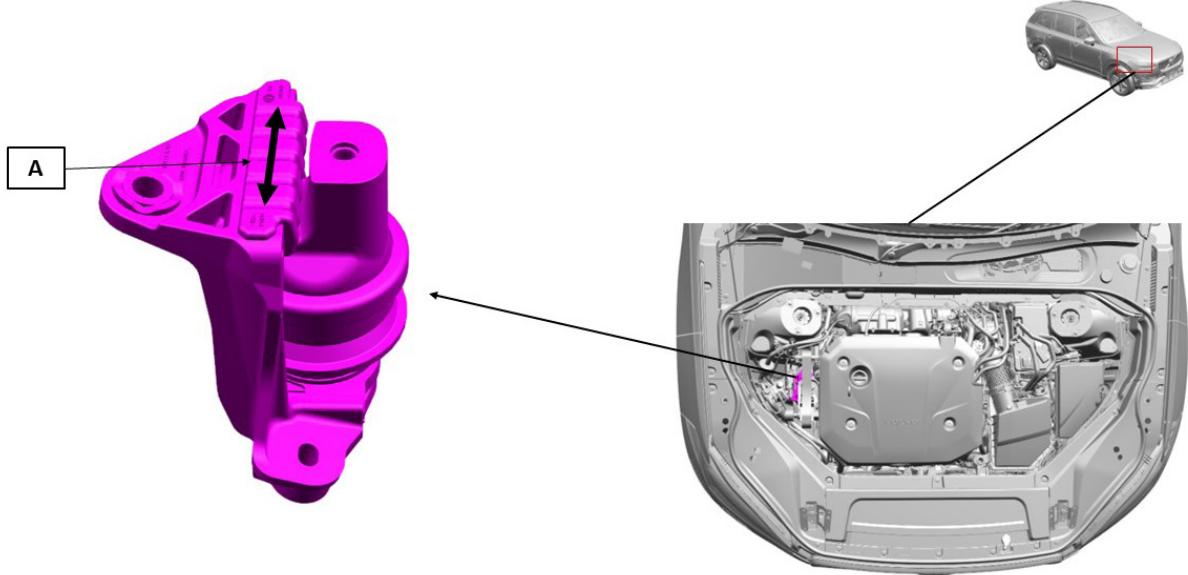
VST Operation Number

VST Operation Number	Description
99921-2	General Reimbursement

VEHICLE REPORT:

Yes, please submit a Vehicle Report if the service solution described in this TJ has no effect. Use concern area "Vehicle Report" and sub concern area "Support not needed", use function group 2182.

To view TJ attachments continue to next page. This TJ has one attachment.



TJ 36563