



## STAR ONLINE PUBLICATION



**Case Number:** S2308000019

**Release Date:** February 2023

**Symptom/Vehicle Issue:** Auto High Beams Characteristics, Auto High Beams Not Turning on When Enabled

**Customer Complaint/Technician Observation:** Owner complains that the auto high beams are not turning on. Technician observed the auto high beam selection is enabled and the auto high beams are not turning on during conditions that he feels they should.

### Discussion:

#### Automatic High Beams — If Equipped

The **Automatic High Beam Headlight System** provides increased forward lighting at night by automating the high beam control through the Humidity Rain/Light Sensor Module (HRLSM) mounted on the windshield. This sensor monitors ambient lighting to automatically switch from high beams to low beams. The sensor reports on Local Interconnect Network (LIN) circuit D456 to the BCM.

#### Note:

- The **Automatic High Beam Headlight System** can be turned on or off by selecting or deselecting “Auto Dim High Beams” within Uconnect Settings "[⇒UCONNECT SETTINGS](#)".
- The headlight switch must also be turned to the AUTO position after Automatic High Beams is enabled within Uconnect Settings for the feature to activate.
- Automatic High Beams will only activate when the vehicle speed is above 22 mph (35 km/h).
- Broken, muddy, or obstructed windshields can cause the system to function improperly by affecting the ambient light sensors detection capabilities causing the headlights to remain on longer.

Use wiTECH to review the HRLSM light values under the BCM data folder looking for response change during increased and decreased lighting conditions (added lighting required).

See Examples:

This document does not authorize warranty repairs. This communication documents a record of past experiences. STAR Online does not provide any conclusions about what is wrong with the vehicle. Rather, it captures all previous cases known that appear to be similar or related to the vehicle symptom / condition. You are the expert, and you are responsible for deciding on the appropriate course of action.

**Contact STAR Center, or your Technical Assistance Center Via TechCONNECT or eCONTACT ticket if no solution is found**



# STAR ONLINE PUBLICATION



BCM Body Controller

## Vehicle in shop, ambient light is low

Flash DTCs Data Misc Functions System Tests Actuators Details Configuration

Type: All Record Units: Imperial Show All Data Graph Selections Add To Vehicle Data Clear Selections 0.1 s Search

Input Connectors

Humidity Sensor Data

NAME	MIN	VALUE	MAX	UNIT	TYPE
HRLS - Reported Ambient Light Level		320		LUX	LIN Data

BCM Body Controller

## A bright incandescent lamp directed at the ambient light sensor

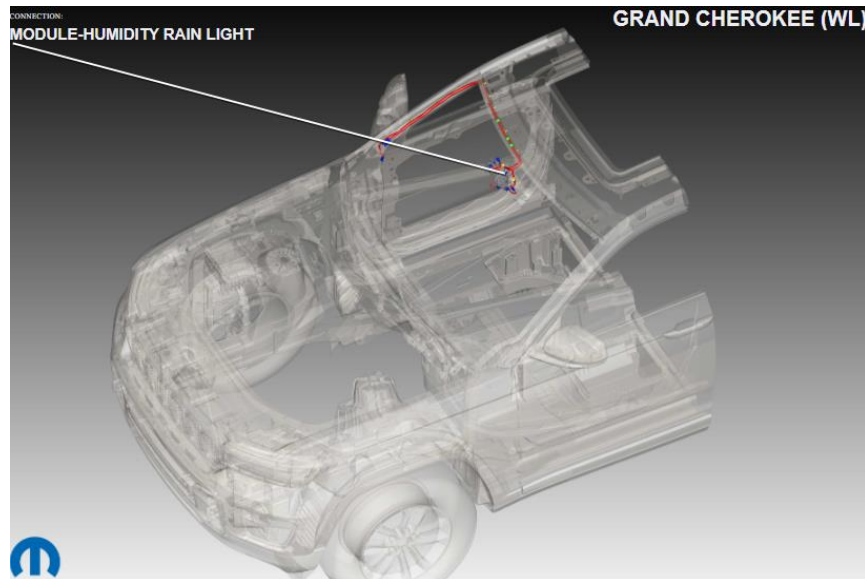
Flash DTCs Data Misc Functions System Tests Actuators Details Configuration

Type: All Record Units: Imperial Show All Data Graph Selections Add To Vehicle Data Clear Selections 0.1 s Search

Input Connectors

Humidity Sensor Data

NAME	MIN	VALUE	MAX	UNIT	TYPE
HRLS - Reported Ambient Light Level		5080		LUX	LIN Data

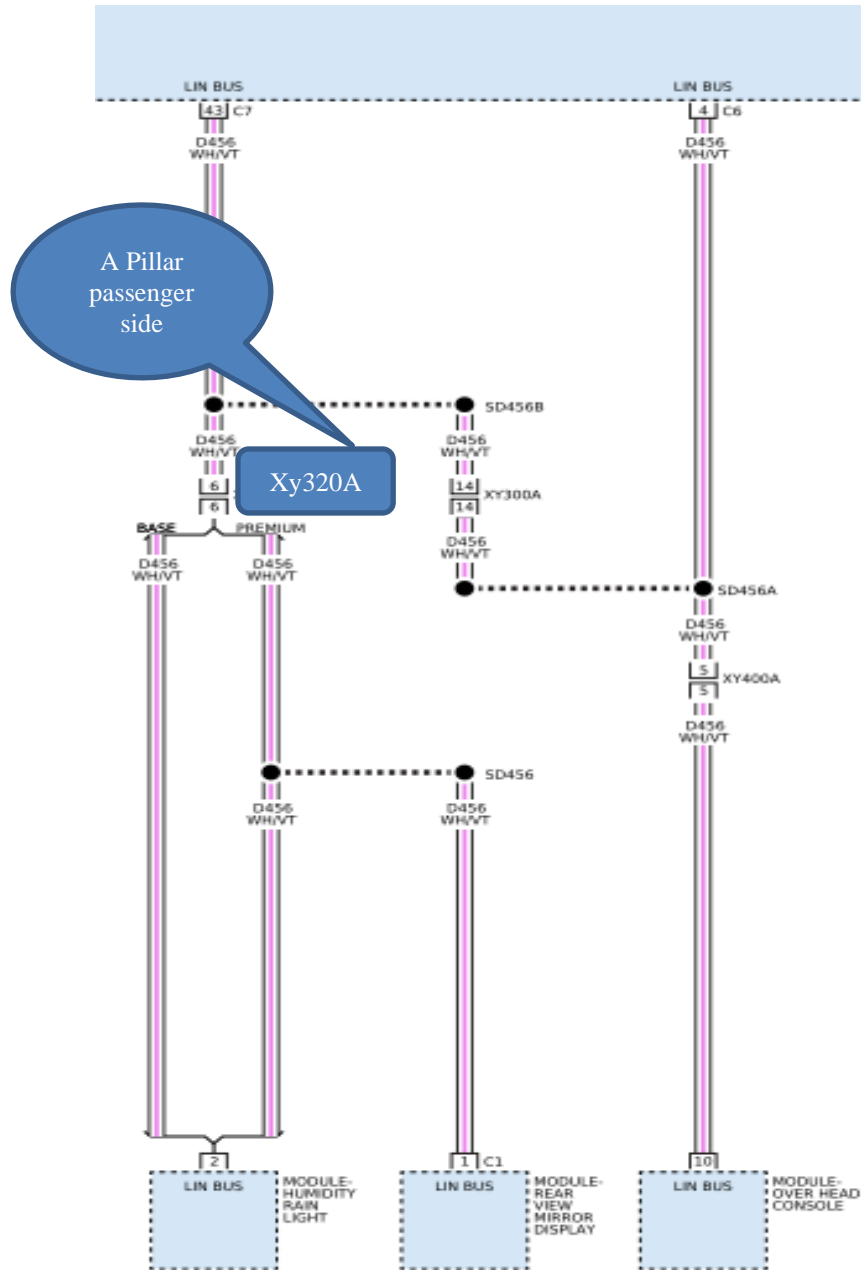


This document does not authorize warranty repairs. This communication documents a record of past experiences. STAR Online does not provide any conclusions about what is wrong with the vehicle. Rather, it captures all previous cases known that appear to be similar or related to the vehicle symptom / condition. You are the expert, and you are responsible for deciding on the appropriate course of action.

**Contact STAR Center, or your Technical Assistance Center Via TechCONNECT or eCONTACT ticket if no solution is found**



# STAR ONLINE PUBLICATION



This document does not authorize warranty repairs. This communication documents a record of past experiences. STAR Online does not provide any conclusions about what is wrong with the vehicle. Rather, it captures all previous cases known that appear to be similar or related to the vehicle symptom / condition. You are the expert, and you are responsible for deciding on the appropriate course of action.

**Contact STAR Center, or your Technical Assistance Center Via TechCONNECT or eCONTACT ticket if no solution is found**