



# Service Bulletin

Bulletin No.: 23-NA-056

Date: April, 2023

## TECHNICAL

**Subject:** Wind Whistle Noise at Highway Speeds

Brand:	Model:	Model Year:		VIN:		Engine:	Transmission:
		from	to	from	to		
GMC	Sierra 2500HD/3500HD	2020	2023	-	-	All	All

<b>Involved Region or Country</b>	North America
<b>Condition</b>	Some customers may comment on a wind whistle noise at highway speeds.
<b>Cause</b>	The cause of the condition may be due to the wind rushing over the grille and around the corners of the hood scoop.
<b>Correction</b>	To correct this condition, Install blockers in the upper grille openings to change the airflow by following the procedure below.

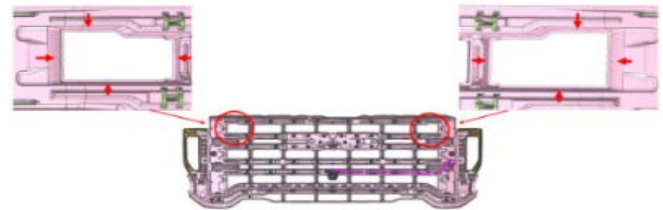
### Service Procedure

**Important:** Service agents must comply with all International, Federal, State, Provincial, and/or Local laws applicable to the activities it performs under this bulletin, including but not limited to handling, deploying, preparing, classifying, packaging, marking, labeling, and shipping dangerous goods. In the event of a conflict between the procedures set forth in this bulletin and the laws that apply to your dealership, you must follow those applicable laws.

If you encounter a vehicle with the above concern, complete the following procedure:

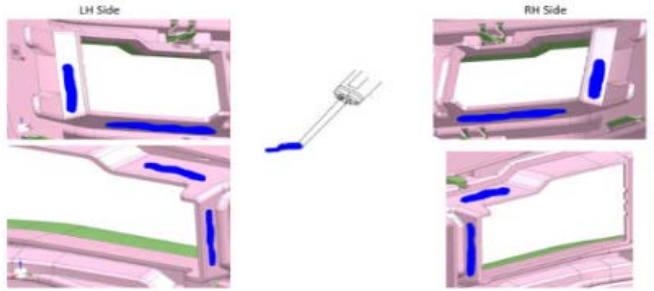
#### AT4 Windblocker Installation

1. Remove the vehicles grille. Refer to *Front Grille Replacement* in Si.



6307021

2. Set grille face down and observe application areas.
3. Utilize cleaner Lord Fusor 703 to prep and clean mounting surfaces (Both sides).

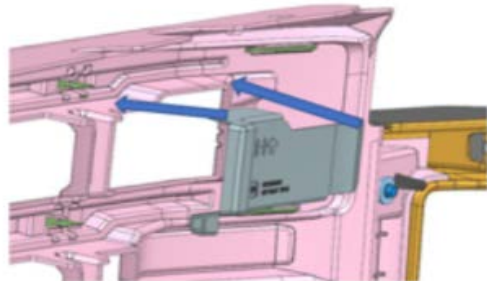
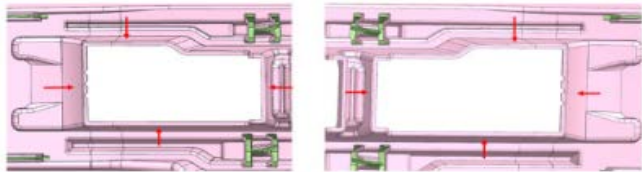


6307024

6307028

- Utilize cleaner Lord Fusor 703 to prep and clean wind blocker flanges surfaces (both sides).

- Apply suggested adhesive to grille mesh surfaces as shown. Use pull method when applying adhesive.



6307026

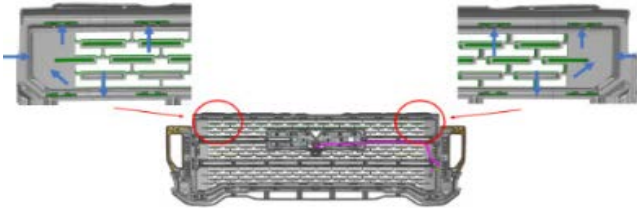
6307030

- Once clean, apply adhesion promotor to mounting surfaces.
- Once clean, apply adhesion promotor to inside flanges of wind blocker.

- Push the identified LH wind blocker on to the LH mounting surface of grille mesh as shown in pictures below. Repeat process for identified RH wind blocker. Ensure grille is laying face down while adhesive cures. Allow 30 minutes of curing time.
- Reinstall the vehicles grille. Refer to *Front Grille Replacement* in Si and verify condition is corrected.

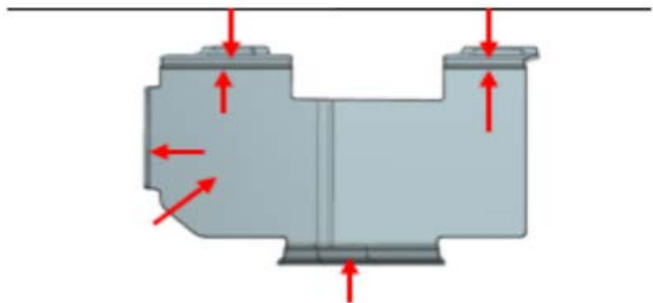
### Denali Windblocker Installation

1. Remove the vehicles grille. Refer to *Front Grille Replacement* in Si.



6307032

2. Set grille face down and observe application areas.
3. Utilize cleaner Lord Fusor 703 to prep and clean mounting surfaces (Both sides).



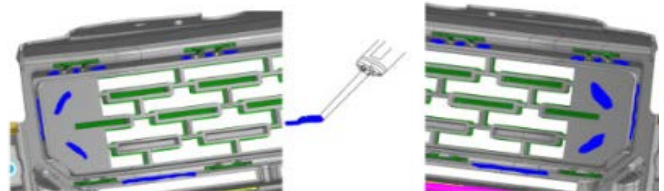
6307033

4. Utilize cleaner Lord Fusor 703 to prep and clean wind blocker flanges surfaces (both sides).



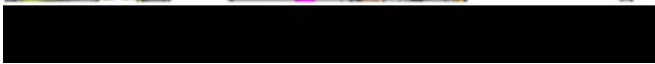
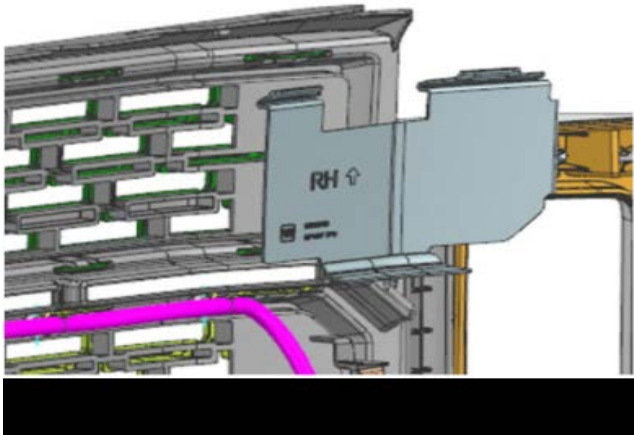
6307035

5. Once clean, apply adhesion promoter to mounting surfaces.
6. Once clean, apply adhesion promoter to inside flanges of wind blocker.



6307037

7. Apply suggested adhesive to grille mesh surfaces as shown. Use pull method when applying adhesive.



6307038

6307040

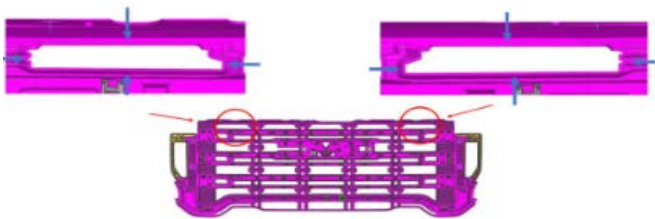
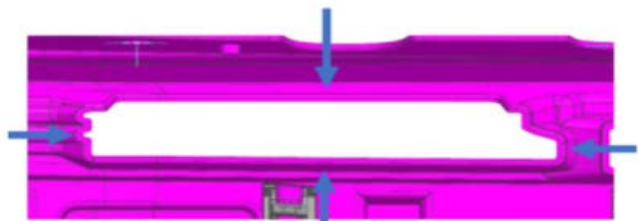
- 8. Push the identified LH wind blocker on to the LH mounting surface of grille mesh as shown in pictures below. Repeat process for identified RH wind blocker. Ensure grille is laying face down while adhesive cures. Allow 30 minutes of curing time.
- 9. Reinstall the vehicles grille. Refer to *Front Grille Replacement* in Si and verify condition is corrected.

- 3. Utilize cleaner Lord Fusor 703 to prep and clean mounting surfaces (Both sides).
- 4. Utilize cleaner Lord Fusor 703 to prep and clean wind blocker flanges surfaces (both sides).



**SLE Windblocker Installation**

- 1. Remove the vehicles grille. Refer to *Front Grille Replacement* in Si.



6307043

- 5. Once clean, apply adhesive promotor to mounting surfaces.
- 6. Once clean, apply adhesive promotor to inside flanges of wind blocker.



6307039

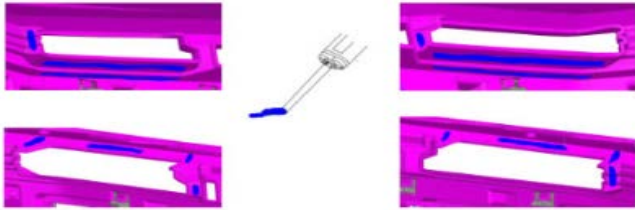
- 2. Set grille face down and observe application areas.



**Parts Information**

\* Available from Lord Fusor 800-234-3876

<https://www.lord.com>



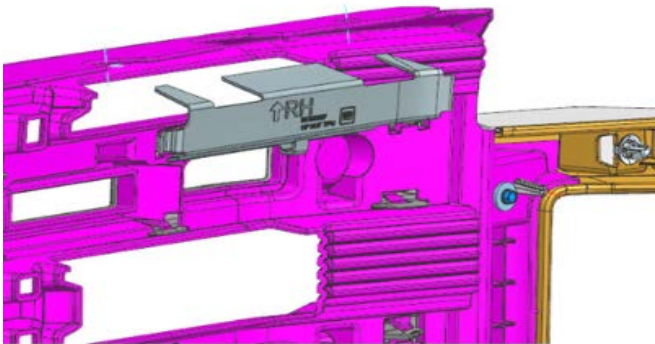
6307044

7. Apply suggested adhesive to grille mesh surfaces as shown. Use pull method when applying adhesive.



Causal Part	Description	Part Number	Qty
N/A	Upper Grill Blocker Base/SLE Kit	87821668	1
	Upper Grill Blocker SLT/AT4 Kit	87821671	1
	Upper Grill Blocker Denali Kit	87821674	1
	Adhesive Promotor*	602ez	1
	Lord Fusor Adhesive*	153	1
	Lord Fusor Cleaner*	703	1

\* We believe this source and their products to be reliable. There may be additional manufacturers of such products/materials. General Motors does not endorse, indicate any preference for, or assume any responsibility for the products or material from this firm or for any such items that may be available from other sources.



6307045

8. Push the identified LH wind blocker on to the LH mounting surface of grille mesh as shown in pictures below. Repeat process for identified RH wind blocker. Ensure grille is laying face down while adhesive cures. Allow 30 minutes of curing time.
9. Reinstall the vehicles grille. Refer to *Front Grille Replacement* in Si and verify condition is corrected.

## Warranty Information

For vehicles repaired under the Bumper-to-Bumper coverage (Canada Base Warranty coverage), use the following labor operation. Reference the Applicable Warranties section of Investigate Vehicle History (IVH) for coverage information.

Labor Operation	Description	Labor Time
*1086668	Installation of grill blockers	1.2 hr
*This is a unique Labor Operation for Bulletin use only.		

Version	1
Modified	Released March 31, 2023

