

WPBO - Replacing Screw Connection of Backrest Frame on Front Seat Frame (Workshop Campaign)

Model Line: **Taycan (Y1A, Y1B, Y1C)**

Model Year: **As of 2021 up to 2022**

Concerns: **Screw connection of backrest frame on front seat frame**

Cause: **On the affected vehicles, there is a possibility that the bolting of the backrest frame to the seat frame at the front has not been carried out correctly.**
Therefore, the screw connection does not comply with Porsche's internal specifications.

Action: Depending on the scope of action, replace the screw connection of the backrest frame on the seat frame at the front left or right.



Information

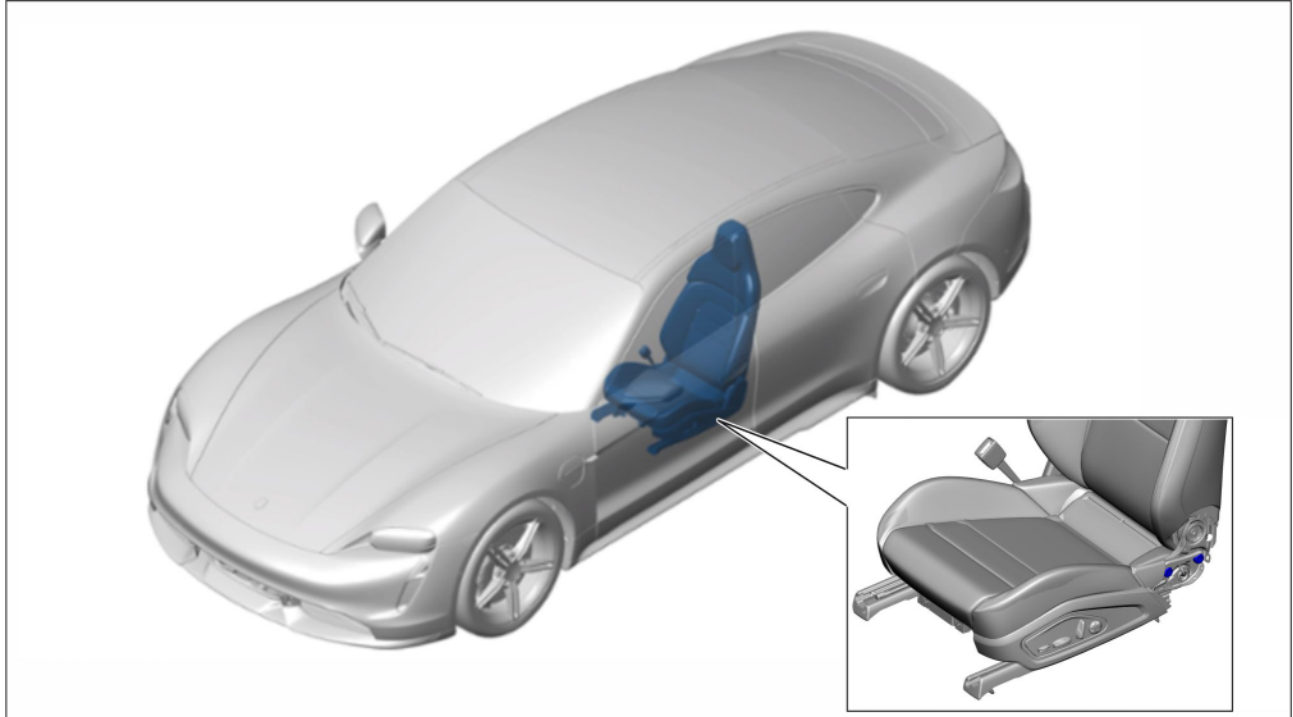
Every vehicle is assigned to exactly one campaign scope.

To find out which scope is assigned to the vehicle, see PCSS Vehicle Information.

Affected Vehicles: Only vehicles assigned to the campaign (see also PCSS Vehicle Information).

Installation

Position:



Installation location of backrest frame screw connection on seat frame

Required parts

Parts Info:	Part No.	Designation – Point of use	Quantity
	9A7007867	⇒ Hexagon socket head bolt M10 x 14 – Backrest	4 pieces
	9A700748300	⇒ External hexagon head round bolt M10 x 28 – Mounting for front seat	4 pieces

Required tools

- Tools:
- Battery charger with a current rating of **at least 90 A** and - if required - **also with a current and voltage controlled charge map** for lithium starter batteries, e.g. **VAS 5908 90 A battery charger**.
 - **9900 - PIWIS Tester 3/4**
 - Torque wrench, 40-200 Nm (30-148 ftlb.), e.g. **V.A.G 1332A - Torque wrench, 40-200 Nm (30-148 ftlb.)**

- Torque wrench, 2-10 Nm (1.5-7.5 ftlb.), e.g. **V.A.G 1783 - torque wrench, 2-10 Nm (1.5-7.5 ftlb.)**

Replacing the screw connection on the backrest frame on the front left seat frame (scope of action 1)

Work Procedure: 1 Remove **left** front seat. For instructions, see ⇒ *Workshop Manual '720119 Removing and installing front seat'*

- 2 Move **left** front seat into the specified position:
Length: Front inner and outer rails in the same center position
Tilt: upper end position
Height: upper end position
Backrest: Angle between the backrest and upholstered surface is approx. 90°

3 Remove control panel trim on the left front seat. ⇒ *Workshop Manual '721619 Removing and installing control panel trim'*

4 Remove front left seat trim panel. ⇒ *Workshop Manual '721619 Removing and installing front seat trim panel'*

5 Unscrew the existing screws on the backrest frame and seat frame and replace them with the new screws.

Observe the specified sequence for the screw connection completely!

Tighten screws in the specified sequence ⇒ *Screw sequence backrest frame on seat frame -1-2-3-4-* using **Tightening torque 70 Nm (51.6 ftlb.) +/- 5 Nm (3.7 ftlb.)**.

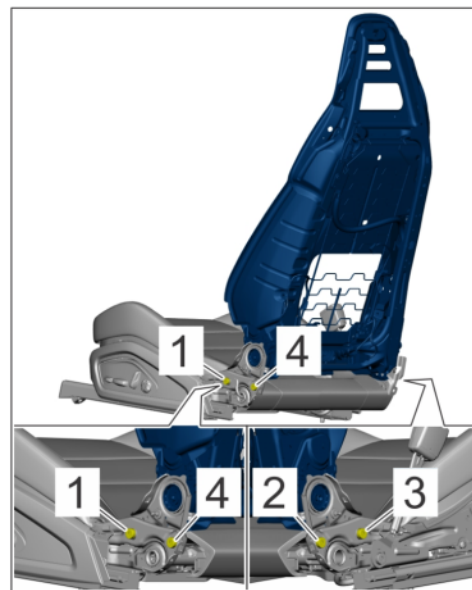
6 Install front left seat trim panel. ⇒ *Workshop Manual '721619 Removing and installing front seat trim panel'*

7 Install the front seat trim control panel on the left. ⇒ *Workshop Manual '721619 Removing and installing control panel trim'*

8 Install left front seat. For instructions, see ⇒ *Workshop Manual '720119 Removing and installing front seat'*

9 Reading out and erasing fault memories.

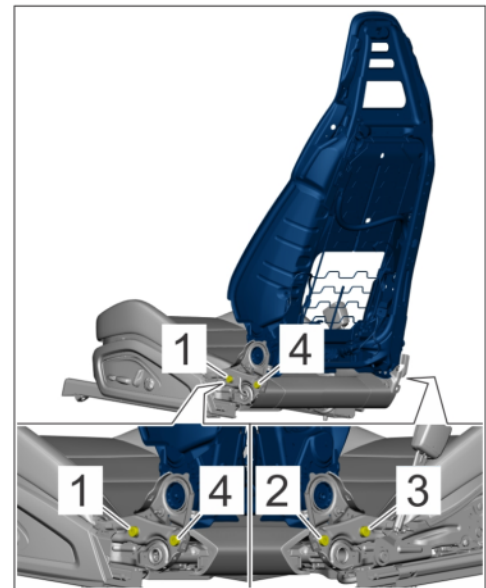
10 Enter the campaign in the Warranty and Maintenance booklet for the vehicle.



Screw sequence backrest frame on seat frame

Replacing screw connection for backrest frame on right front seat frame (campaign scope 2)

- Work Procedure: 1 Remove **right** front seat. For instructions, see ⇒ *Workshop Manual '720119 Removing and installing front seat'*
- 2 Move **right** front seat into the specified position:
Length: Front inner and outer rails in the same center position
Tilt: upper end position
Height: upper end position
Backrest: Angle between the backrest and upholstered surface is approx. 90°
- 3 Remove control panel trim on the right front seat. ⇒ *Workshop Manual '721619 Removing and installing control panel trim'*
- 4 Remove front right seat trim cover. ⇒ *Workshop Manual '721619 Removing and installing front seat trim panel'*
- 5 Unscrew the existing screws on the backrest frame and seat frame and replace them with the new screws.
Observe the specified sequence of the screw connection completely!
Tighten screws in the specified sequence ⇒ *Screw sequence backrest frame on seat frame -1-2-3-4-* using **Tightening torque 70 Nm (51.6 ftlb.) +/-5 Nm (3.7 ftlb.)**.
- 6 Install front right seat trim cover. ⇒ *Workshop Manual '721619 Removing and installing front seat trim panel'*
- 7 Install control panel trim panel on the right front seat. ⇒ *Workshop Manual '721619 Removing and installing control panel trim'*
- 8 Install right front seat. For instructions, see ⇒ *Workshop Manual '720119 Removing and installing front seat'*
- 9 Reading out and erasing fault memories.
- 10 Enter the campaign in the Warranty and Maintenance booklet for the vehicle.



Screw sequence backrest frame on seat frame

Warranty processing

Scope 1: **Replacing screw connection for backrest frame on left front seat frame**

Labor time:

Replacing screw connection for backrest frame on left front seat frame Labor time: **112 TU**

Includes: Removing and installing left front seat
Reading out and deleting fault memories

Required parts:

9A7007867	Hexagon socket head bolt M10 x 14	4 pieces
9A700748300	External hexagon head round bolt M10 x 28	4 pieces

⇒ **Damage code WPBO 66 000 2**

Scope 2:

Replacing screw connection for backrest frame on right front seat frame

Labor time:

Replacing screw connection for backrest frame on right front seat frame Labor time: **112 TU**

Includes: Removing and installing right front seat
Reading out and deleting fault memories

Required parts:

9A7007867	Hexagon socket head bolt M10 x 14	4 pieces
9A700748300	External hexagon head round bolt M10 x 28	4 pieces

⇒ **Damage code WPBO 66 000 2**

Important Notice: Technical Bulletins issued by Porsche Cars North America, Inc. are intended only for use by professional automotive technicians who have attended Porsche service training courses. They are written to inform those technicians of conditions that may occur on some Porsche vehicles, or to provide information that could assist in the proper servicing of a vehicle. Porsche special tools may be necessary in order to perform certain operations identified in these bulletins. Use of tools and procedures other than those Porsche recommends in these bulletins may be detrimental to the safe operation of your vehicle, and may endanger the people working on it. Properly trained Porsche technicians have the equipment, tools, safety instructions, and know-how to do the job properly and safely. Part numbers listed in these bulletins are for reference only. The work procedures updated electronically in the Porsche PIWIS diagnostic and testing device take precedence and, in the event of a discrepancy, the work procedures in the PIWIS Tester are the ones that must be followed.

© 2023 Porsche Cars North America, Inc.