

Air Cleaner Assembly, Repair

M-256-001

(March 2023)

Valid for

All Mack GR, GU model trucks built between January 1, 2013, and April 30, 2023, utilizing an under hood, snow door air cleaner assembly.

Case description

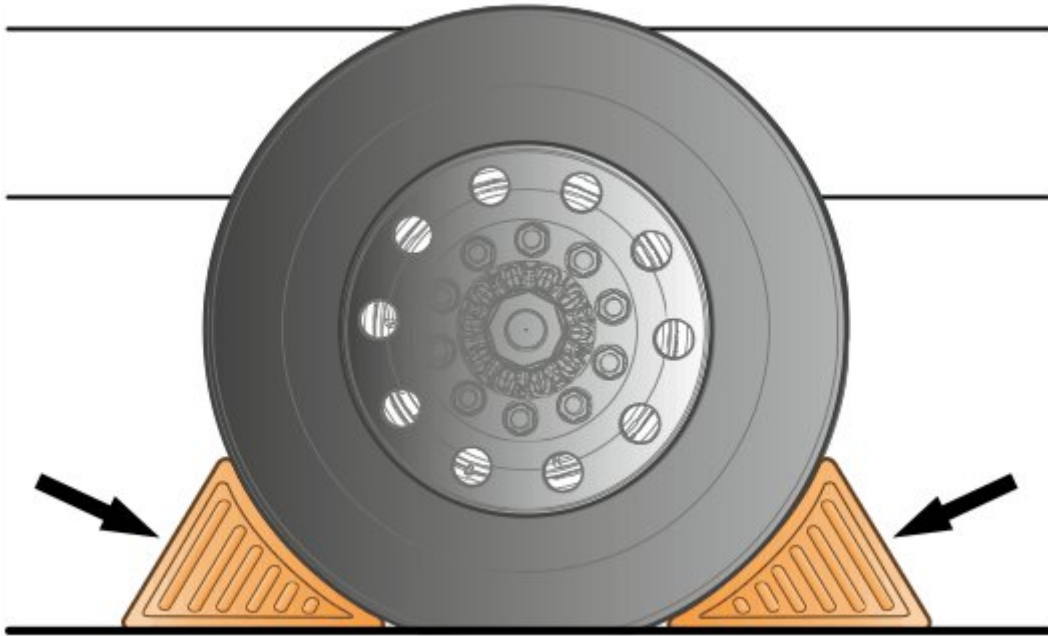
Mack Trucks has determined that certain GR, GU model trucks built with an under-hood snow door air cleaner assembly could experience fault code P0299 for under boost. This fault can accrue from too much hot air being drawn into the air intake system. On effected vehicles follow the instructions below to remove the air cleaner assembly, drill holes and install bumper stops, reinstall the airbox and hook up and test operation.

Parts

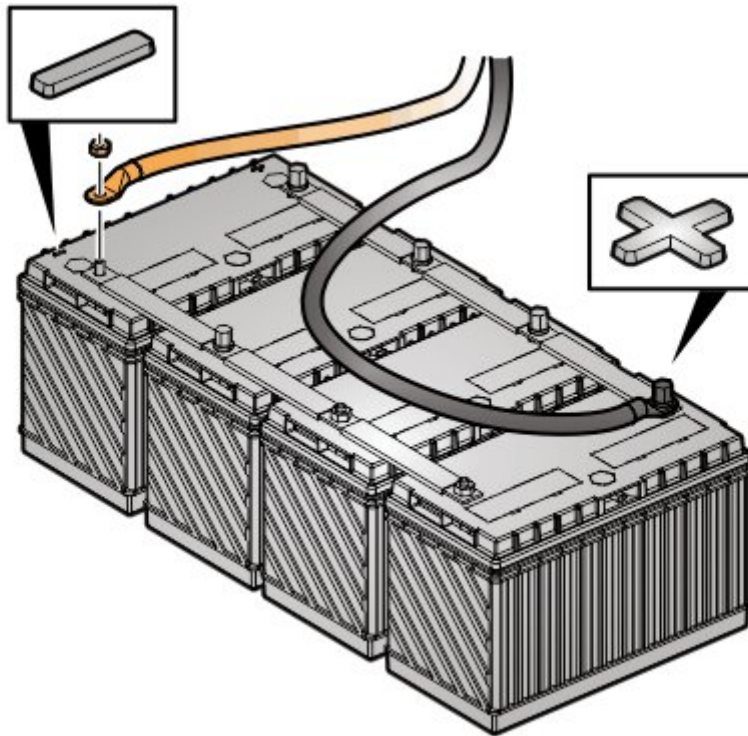
Part Numbers	Part Names	Quantity
25108136	Rubber Button	2
60112804	Hex Socket Screw	2
60113296	Washer	2
20732084	Washer	2
990977	Lock Nut	2

Repair Procedure

1. Park the vehicle on a level surface.
2. Apply the parking brake.
3. Place the gear lever in neutral.
4. Install the wheel chocks.

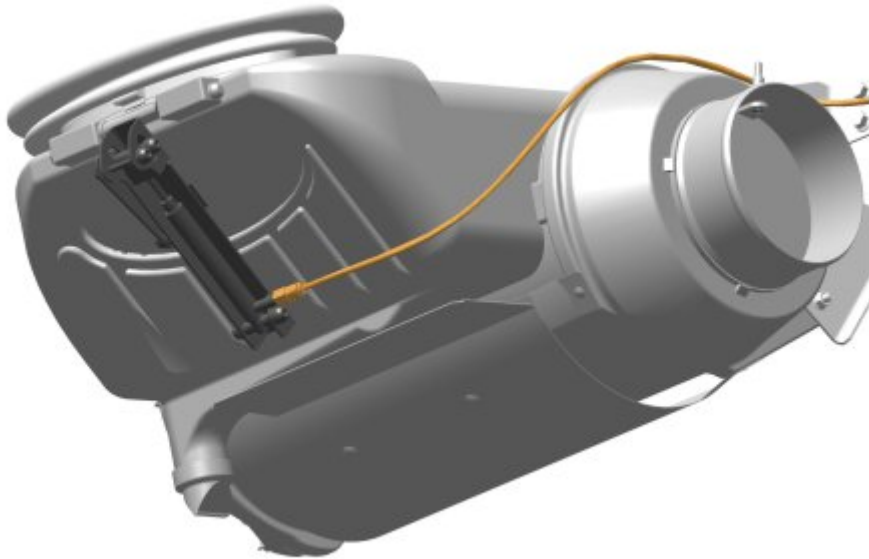


5. Disconnect the cable from the negative battery terminal.

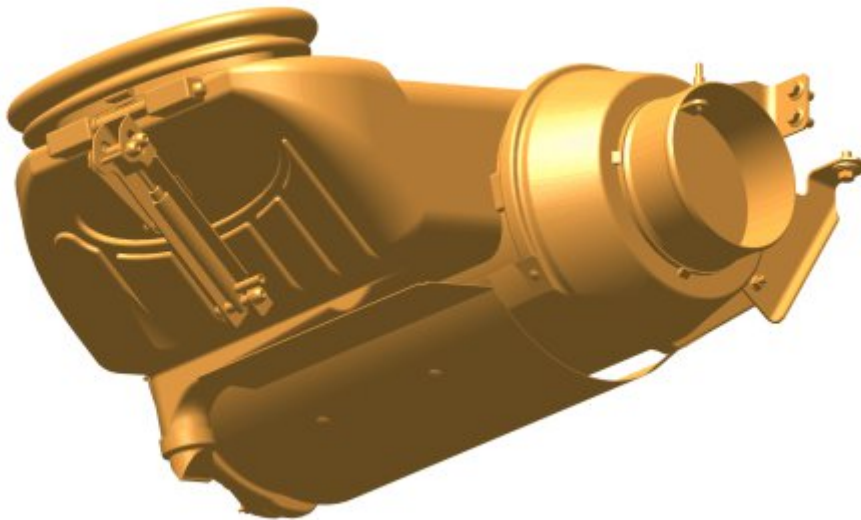


6. Unlatch and raise the hood.

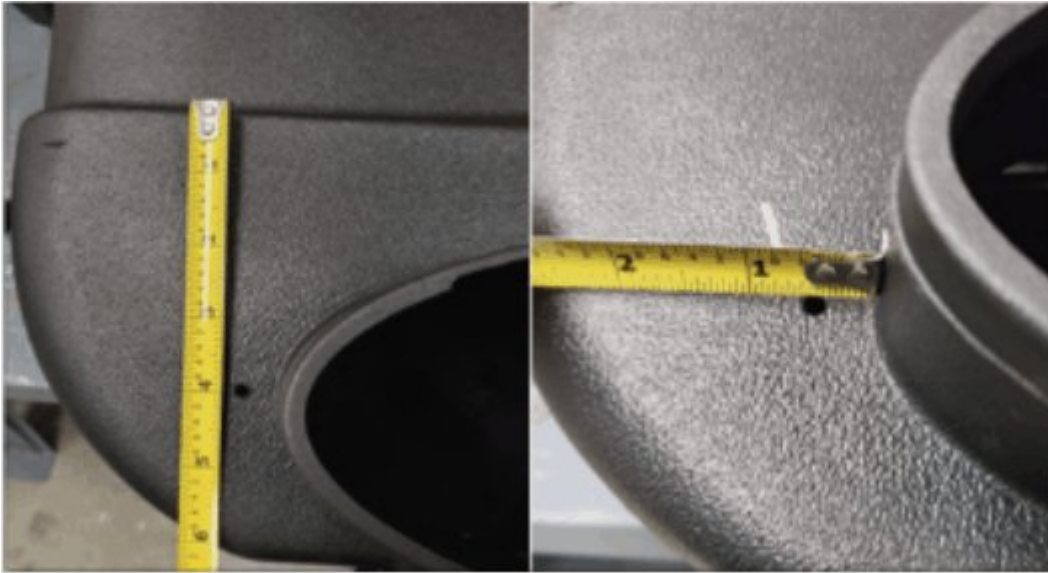
7. Disconnect the air line.



8. Remove the air cleaner assembly.



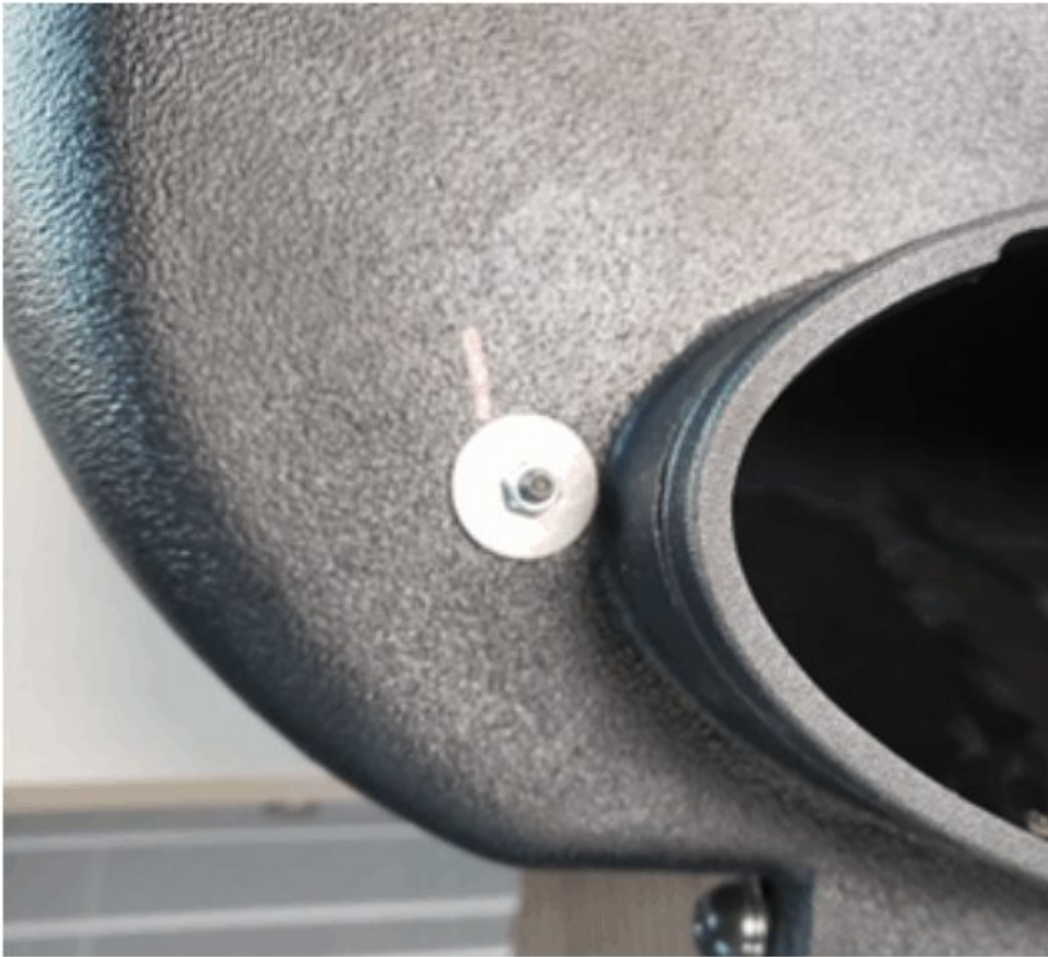
9. Measure down 4 inches and over $\frac{1}{2}$ inch, drill a 5.5 mm hole.



10. Install washer 60113296 onto the socket screw 60112804.
11. Insert socket screw and washer into the bumper 25108136.



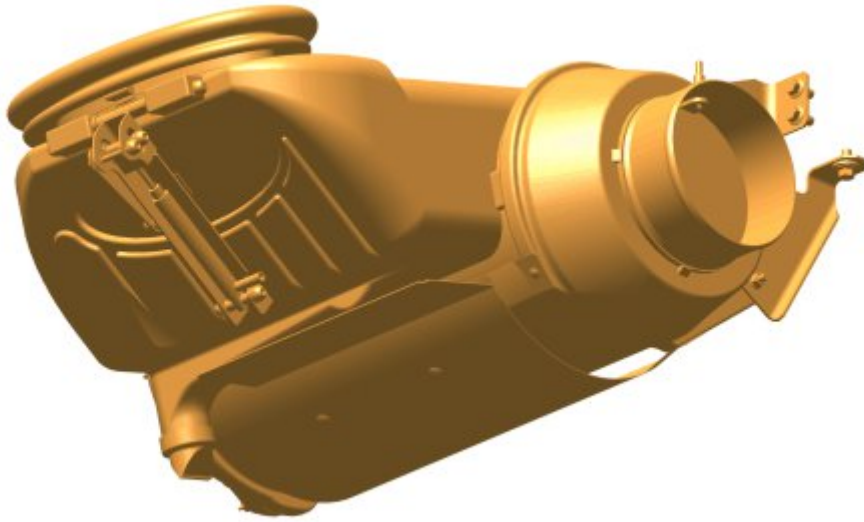
12. Install bumper assembly into the air cleaner assembly, install washer 20732084 and lock nut 990977.



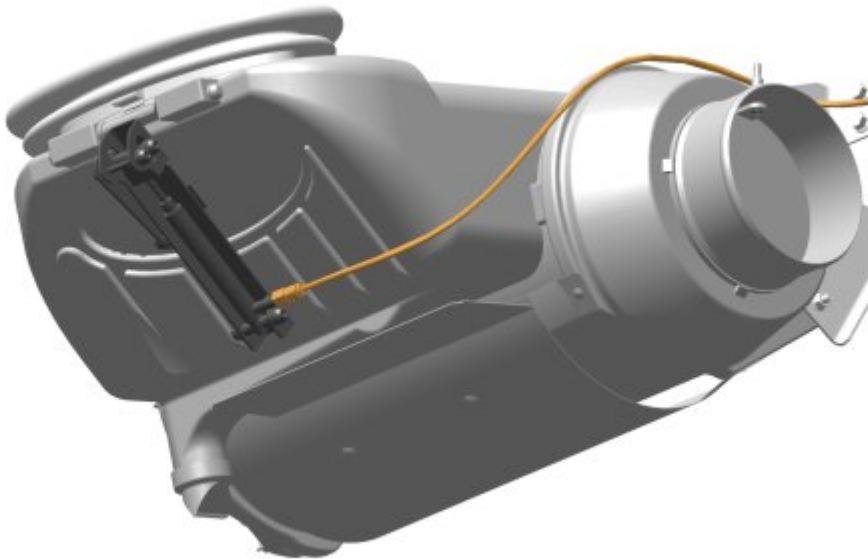
13. Using a 5/32 allen wrench and a 5/16 box end wrench, tighten the hardware.
14. Repeat steps 9–13 for the other bumper.
15. Manually move the snow door making sure it contacts both rubber bumpers.



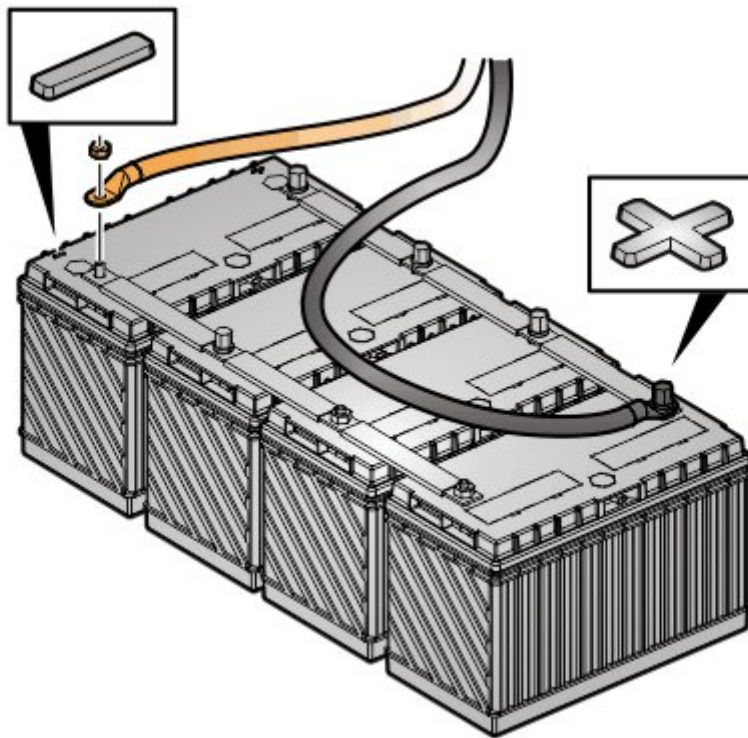
16. Install the air cleaner assembly.



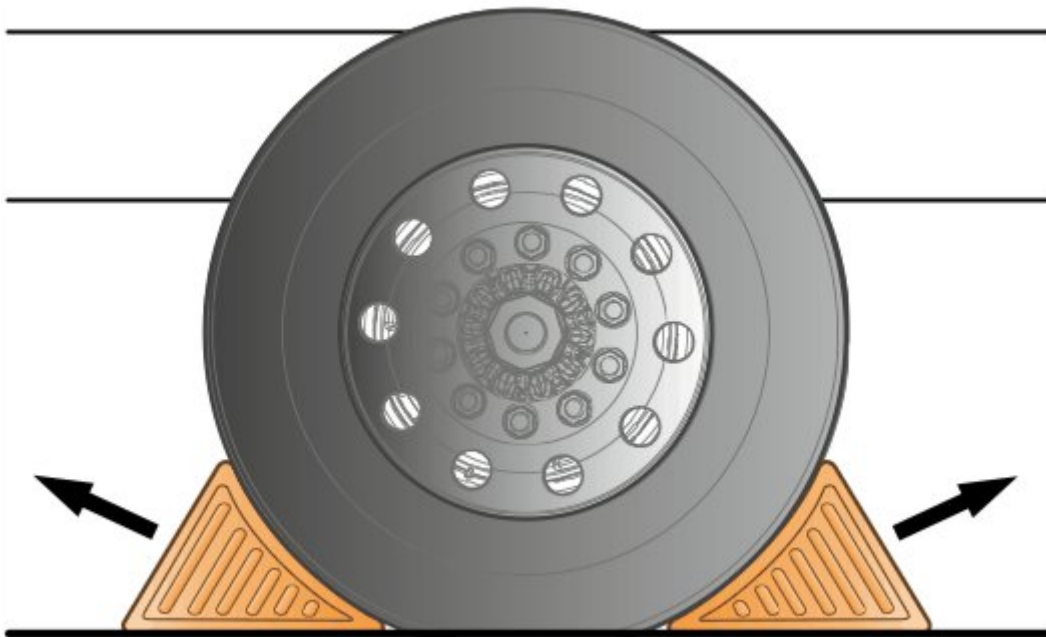
17. Install the air line.



18. Connect the cable to the negative terminal.



19. Start the truck and build up air.
20. Test operation of the snow door.
21. Shut and latch the hood.
22. Remove the wheel chocks.



23. Release vehicle to service.

Warranty Information

<p>This repair may be eligible for reimbursement if a product failure was experienced within time and mileage limits of the applicable Warranty coverage. Reimbursement is obtained via the normal claim handling process.</p>	<p>UCHP Reimbursement</p>
<p>Claim Type (used only when uploading from the Dealer Bus. Sys.)</p>	<p>W</p>

Labor Code	
Air cleaner assembly, repair	2561-16-02-01 – 1 Hrs
Causal Part	21560439

Issued by

Technical Service