

Service

Chassis ID	Path 8319/Technical service bulletins//Bracket, Door Harness, Replacement
Model	Identity 170637023
Publish date 3/23/2023	ID/Operation M-831-001

Bracket, Door Harness, Replacement

M-831-001

(March 2023)

Valid for

All Mack MR, TE Trucks built with heated mirrors

Case description

Certain Mack MR, TE trucks could experience breakage of the heated mirror cable at the bottom of the door where it goes through the clamps. In certain instances, it is possible for the door to pinch the harness at the clamp causing damage to the harness. A new bracket has been developed to secure the harness in a way that stops binding and pinching. Follow the instructions outlined in the document to remove the old clamps, Install the new bracket and reroute the heated mirror cable.

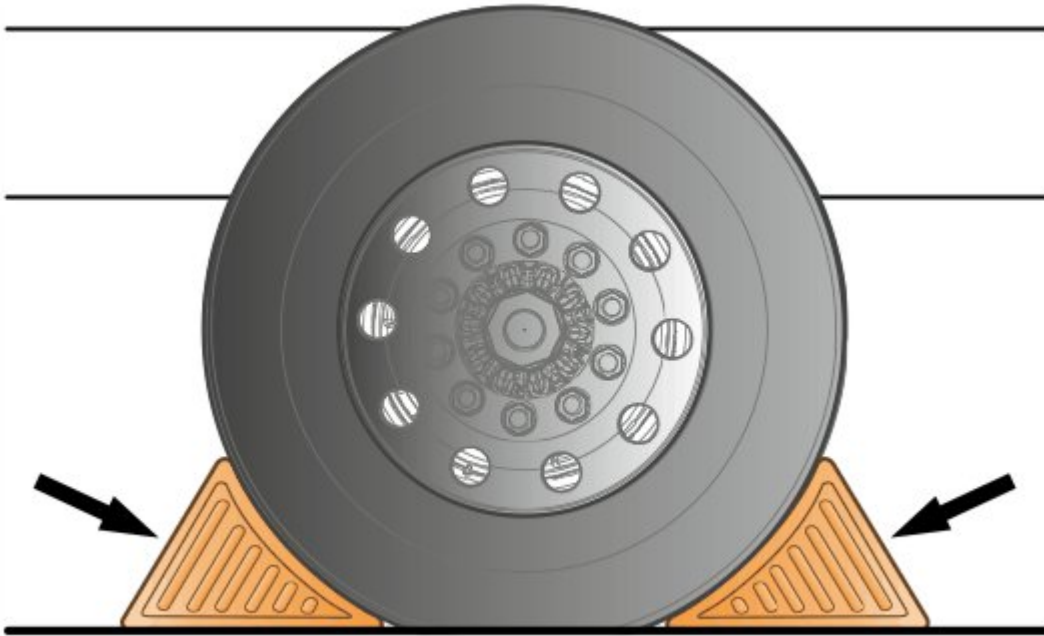
Parts

Part Number	Description	Quantity
24412667	Bracket	1 per side
948211	Cable tie	2 per side

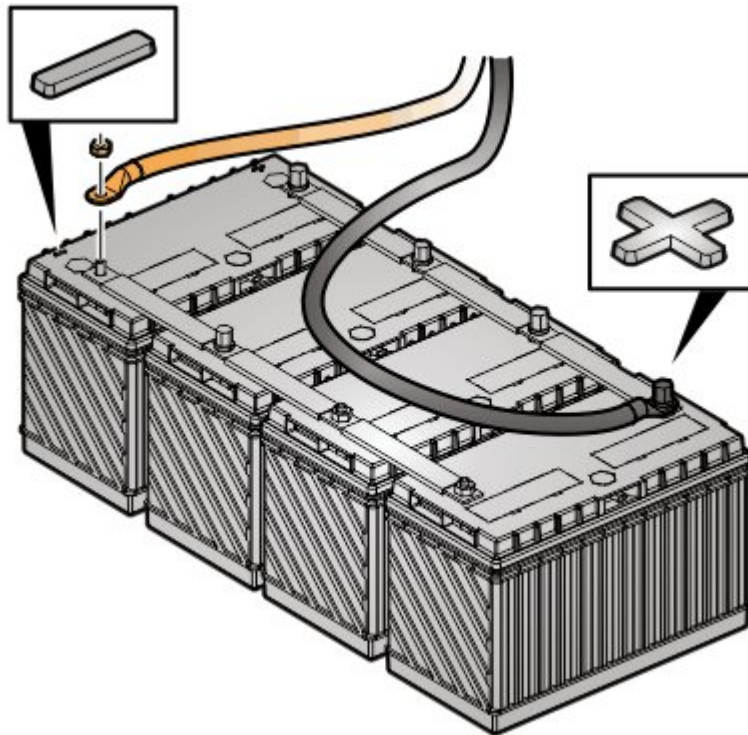


Repair Procedure

- . Park the vehicle on a level surface.
- . Apply the parking brake.
- . Place the gear lever in neutral.
- . Install the wheel chocks.



- . Disconnect the cable from the negative battery terminal.



- . Remove the screws holding the clamps.



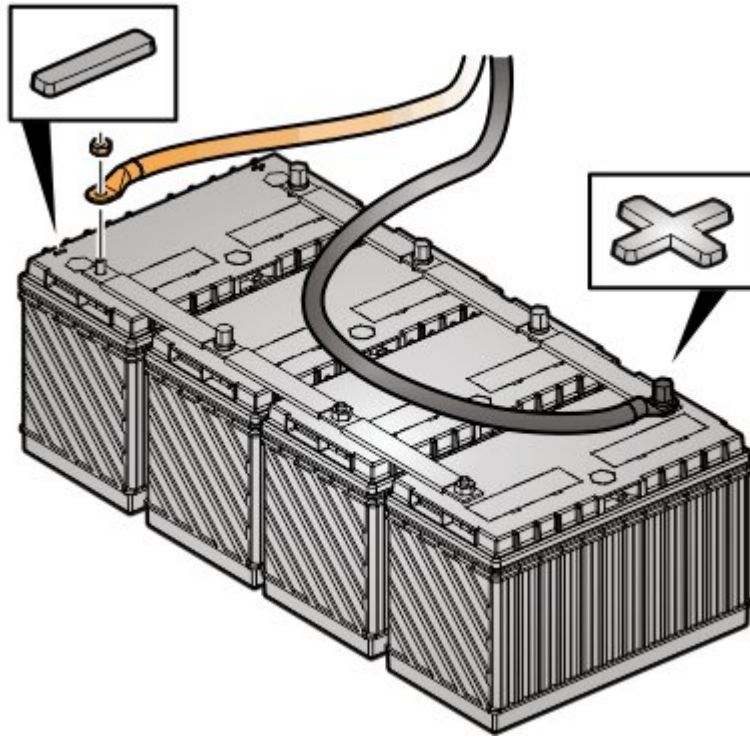
- . Remove the clamps from the cable.
- . Install the new bracket 24412667 using the existing hardware.



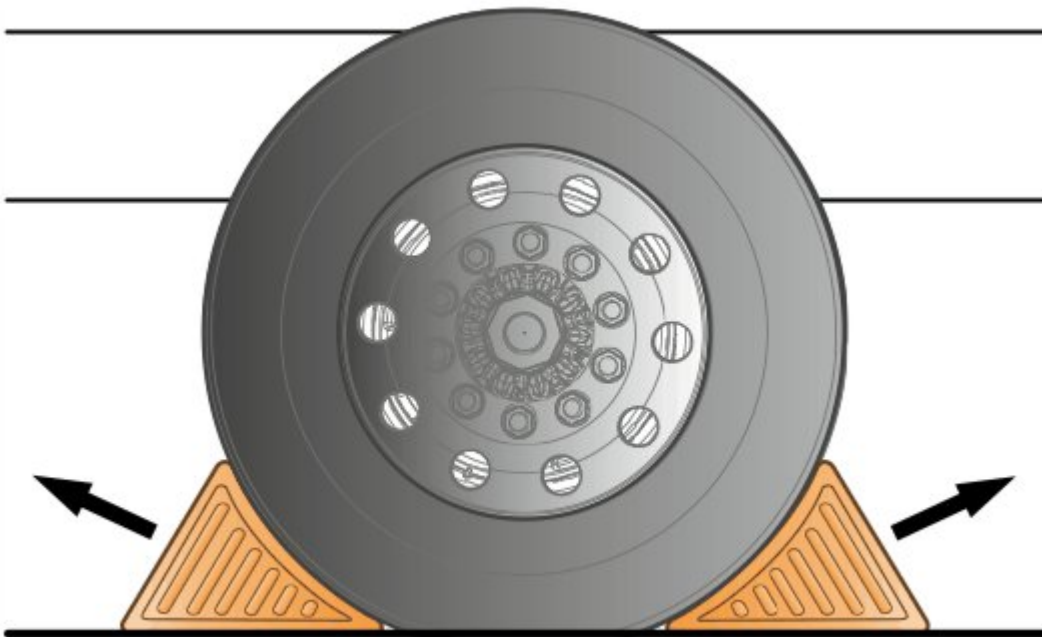
- . Tighten the hardware.

Tightening torque	
Bolt, bracket	23 Nm (17 lbf·ft)

- . If the heated mirror cable is damaged replace it with new one following Impact.
- . Using two cable ties 948211 to secure the cable to the bracket.
- . Operate the door and verify the cable is not binding or pinching in any way.
- . Repeat the process for the passenger door if applicable.
- . Connect the cable to the negative terminal.



. Remove the wheel chocks.



. Release vehicle to service.

Warranty Information

<p>This repair may be eligible for reimbursement if a product failure was experienced within time and mileage limits of the applicable Warranty coverage. Reimbursement is obtained via the normal claim handling process.</p>	<p>UCHP Reimbursement</p>
<p>Claim Type (used only when uploading from the Dealer Bus. Sys.)</p>	<p>W</p>
<p>Labor Code</p>	<p>8319-03-02-15 — 0.2 hrs</p>

Copyright to this documentation belongs to the Volvo Group. No reproduction, copying, change, amendment or other similar disposal is entitled without prior written consent by the Volvo Group

The information contained herein is current at the time of its original distribution, but is subject to change. The reader is advised that printed copies are uncontrolled.

Bracket, door harness, replace	
Causal Part	20705557

Issued by

Technical Service