

## Hub Cap, Leaking

M-773-005

(March 2023)

### Valid for

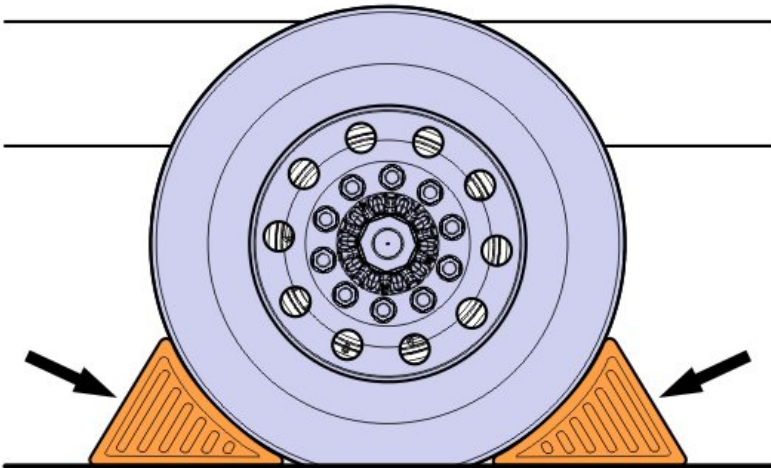
All Mack model trucks built from November 28, 2020 to current.

### Case description

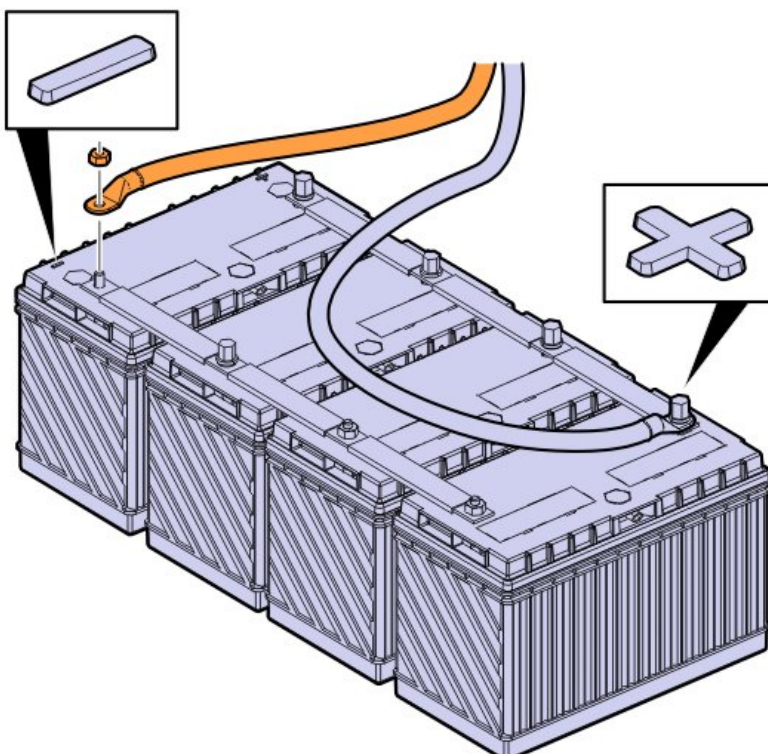
Mack trucks require a visual inspection of the steer axle hub caps during regular maintenance schedules. During a visual inspection it can be very difficult to determine if a steer axle hub cap is leaking or seeping and can result in unnecessary warranty claims. Use this document to help determine if a suspected hub cap is considered a warrantable repair or not.

### Inspection Procedure





1. Park the vehicle on a level surface.
2. Apply the parking brake.
3. Place the transmission in neutral.
4. Install the wheel chocks.



5. Disconnect the cable from the negative terminal.



6. Visually inspect the steer axle hub caps for leaks using the chart below to determine if the leak is considered a valid warrantable repair.

Not Accepted as Warranty Failure			
<b>Symptom:</b>  <b>Purging</b> of oil through the hub cap vent plug. Appearance may be deceptive.	<b>Light Purging</b>	<b>Medium Purging</b>	<b>Heavy Purging</b>
<b>Cause:</b>  Hub caps must vent due to buildup of pressure. There are design features built into the cap that minimizes oil purging. A minimal amount of purging can be expected after periods of higher heat.	Light film on the edge of the vent plug  NO action required Do Not remove.	Medium film on the edge and outboard face of the vent plug  NO action required Do Not remove.	Heavy film on the edge and outboard face of the vent plug  NO action required Do Not remove.
<b>Note:</b>  The inspection must not be conducted after driving in wet weather or a vehicle wash. Vent plug needs to be free from water.			
<b>Inspection:</b>  <b>Finger test</b>			
 <b>Warning</b>  Allow the hub cap and vent plug to cool after operation. The vent plug may be hot to the touch and cause personal injury.			
Touch the film with a dry finger. If the finger remains dry, the vent plug is not leaking. If in doubt, check again in a few days.			

Accepted as Warranty Failure	
<b>Symptom:</b>  <b>Leakage</b> Excessive oil around the hub cap vent plug and surrounding areas including the hub itself. Gummy oil around the vent plug purge point. Oil splatter on the wheel.	<b>Leaking</b>
<b>Cause:</b>	Oil buildup on surrounding components

Damaged hub cap and / or vent plug.

**Note:**

The inspection must not be conducted after driving in wet weather or a vehicle wash. Vent plug needs to be free from water.

**Inspection:**

**Finger test**



Allow the hub cap and vent plug to cool after operation. The vent plug may be hot to the touch and cause personal injury.

Touch the film with a dry finger. If the finger feels wet, the vent plug is leaking.

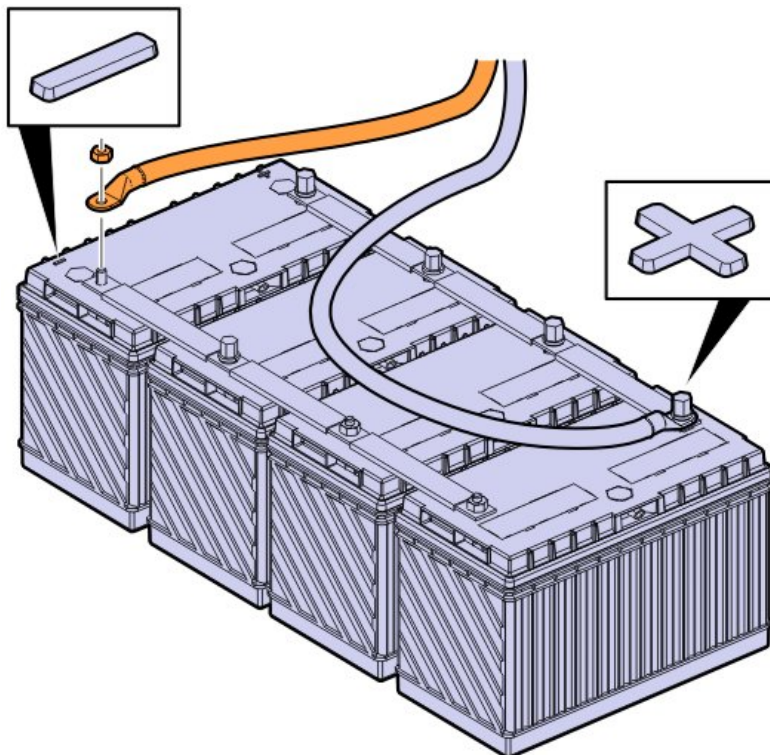
**ACTION:**

Disassemble wheel end and inspect oil quality, hubs and bearings. It is recommended to replace the hub assembly in addition to the hub cap and vent plug as lack of sufficient oil can lead to damaged bearings.

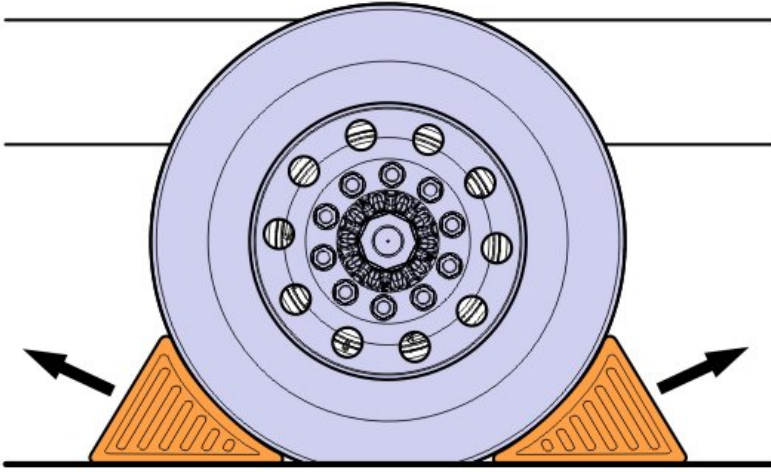
**Action Required Replace damaged components.**



7. Connect the cable to the negative terminal.



8. Remove the wheel chocks.



9. Release the vehicle back into service.

## Warranty Information

### Reimbursement

This repair may be eligible for reimbursement if a product failure was experienced within time and mileage limits of the applicable Warranty coverage. Reimbursement is obtained via the normal claim handling process.	UCHP Reimbursement
Claim Type (used only when uploading from the Dealer Bus. Sys.)	W
Labor Code	
Hub cap seal, replacement	7731-03-02-08
Causal Part	24057915

## Issued by

Technical Service