



Snow Door Under Hood Airbox

Service Category Service Department

Section Function Group 256

Technician Skill Level A

Market North America

Applicability

Mack

Model Years	Models
2023	GR

Introduction

Mack trucks has determined that certain GR model trucks built with an under-hood snow door air box could experience fault code P0299 for under boost. This fault can accrue from too much hot air being drawn into the air intake system. The effected vehicles were shipped without the snow ingestion switch installed in the dash. On effected vehicles follow the instructions below to remove the airbox, drill holes and install bumper stops, reinstall the airbox, install snow door switch into the dash, hook up and test operation.

Production Change Information

This bulletin applies to vehicles built within the specified production changes below.

Brand	Engine	Emission Level	Starting Build Date	Ending Build Date
Mack	MP-7, MP-8	EM-USA17, EM-USA21	14-July-2022	14-November -2022

Warranty Information

This repair is covered by an authorized Service Program. Reimbursement is obtained through the normal claim handling process.		
Claim Type (used only when uploading from the Dealer Bus. Sys.)		B
Main Labor Code	Description	Hours
1720-16-09-01	Campaign General 0.1 (x12)	1.2
Causal Part	21560439	
SCC Authorization Code	S7674	
Expiration Date	March 28, 2024	

Snow Door Under Hood Airbox

Parts Information

Part Numbers	Part Names	Quantity
25108136	Rubber Button	2
60112804	Hex Socket Screw	2
60113296	Washer	2
20732084	Washer	2
990977	Lock Nut	2
22846091	Switch, Snow Ingestion	1

Calibration Information

N/A

Repair Procedure

1. Secure the vehicle for service.
2. Apply the parking brake.
3. Place the gear lever in neutral.
4. Install the wheel chocks.
5. Disconnect the cable from the negative terminal.
6. Unlatch and raise the hood.
7. Disconnect the airline from the snow door cylinder.
8. Remove the airbox from the truck.
9. Measure down 4 inches and over ½ inch and drill a 5.5mm hole.

Snow Door Under Hood Airbox



10. Install washer 60113296 onto socket screw 60112804.
11. Insert socket screw and washer into bumper 25108136.

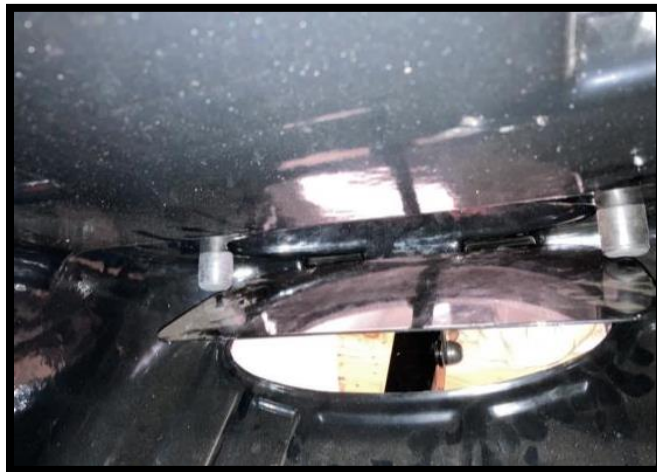


12. Install bumper assembly into the air box and install washer 20732084 and lock nut 990977.

Snow Door Under Hood Airbox

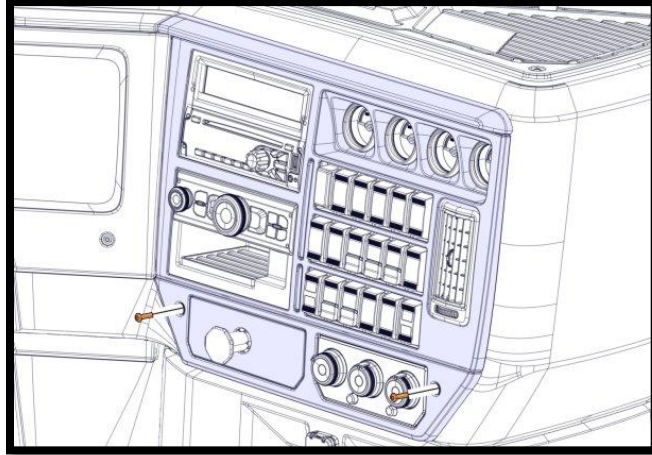


13. Using a 5/32 allen wrench and a 5/16 wrench tighten the hardware.
14. Repeat steps 9-13 for the other bumper.
15. Manually move the snow door making sure it contacts both rubber bumpers.

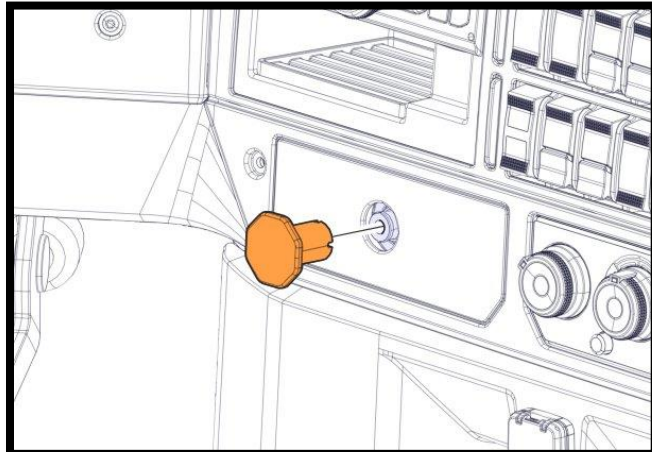


16. Install the airbox on the truck
17. Install the airline to the snow door air cylinder.
18. Remove the screws.

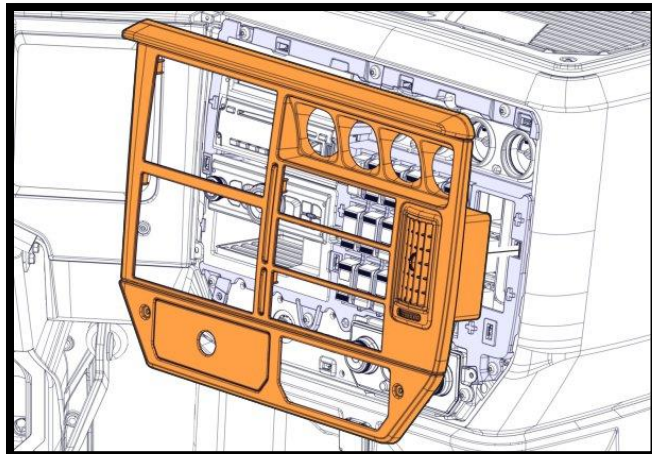
Snow Door Under Hood Airbox



19. Remove the knob.

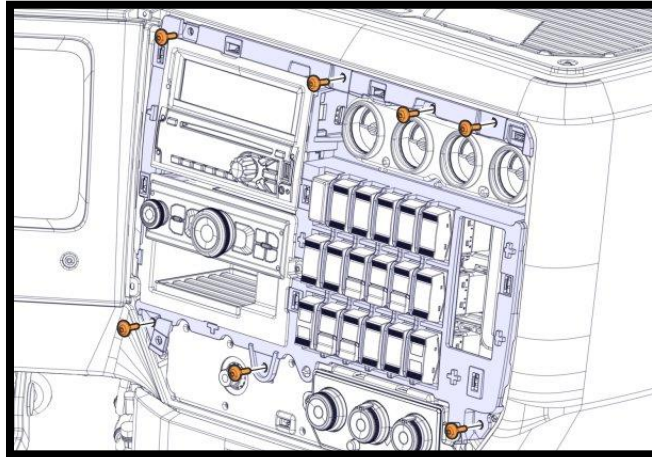


20. Remove the bezel.

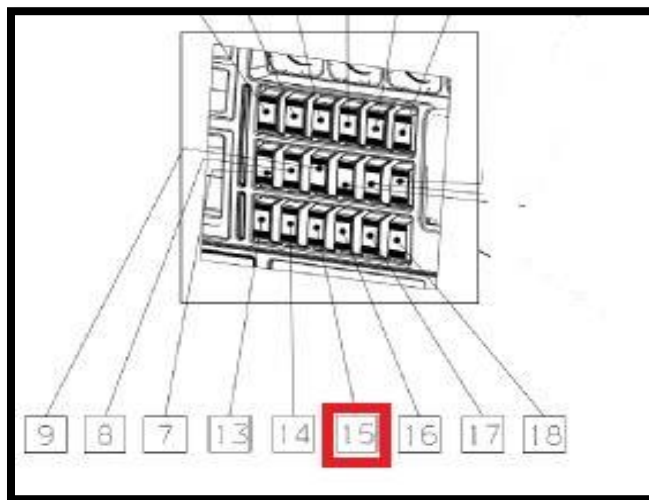


Snow Door Under Hood Airbox

21. Remove the screws.



22. Remove the panel.

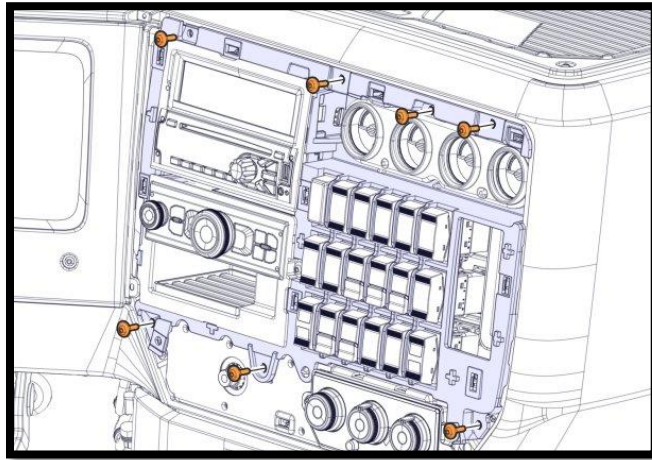


23. Remove the plug cover from slot 15 in the D-Panel.
24. Install the snow ingestion switch **22846091** into slot 15 of the D-Panel.
25. Find the plug labeled I/O Switch and plug into the snow ingestion switch.

Snow Door Under Hood Airbox



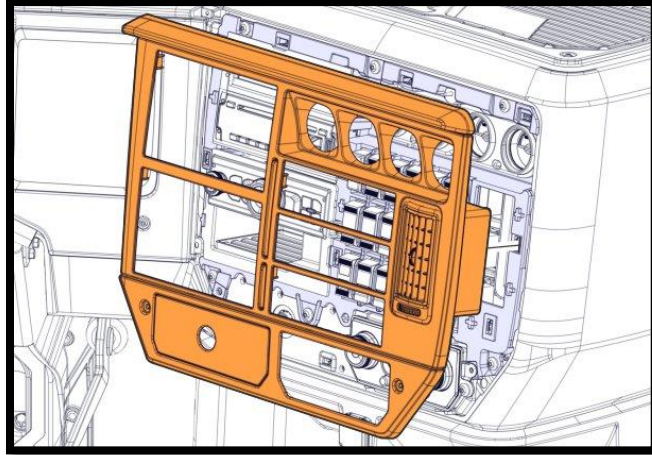
26. Install the panel.
27. Install the screws.



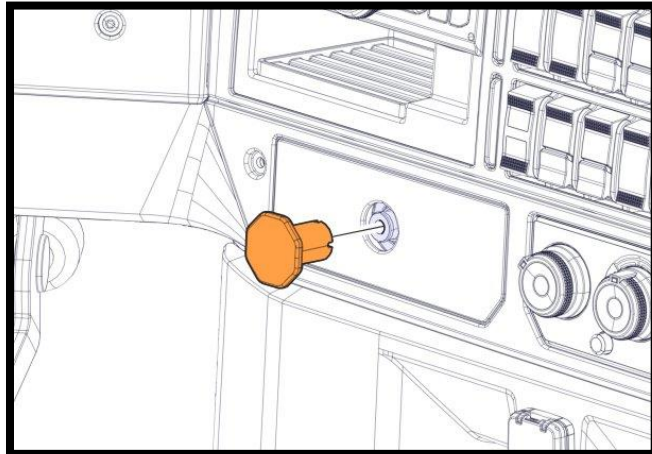
Tightening torque	
Dashboard, panel, screw	2.5 ±0.5 Nm (2 ±0.4 lb·ft)

28. Install the bezel.

Snow Door Under Hood Airbox

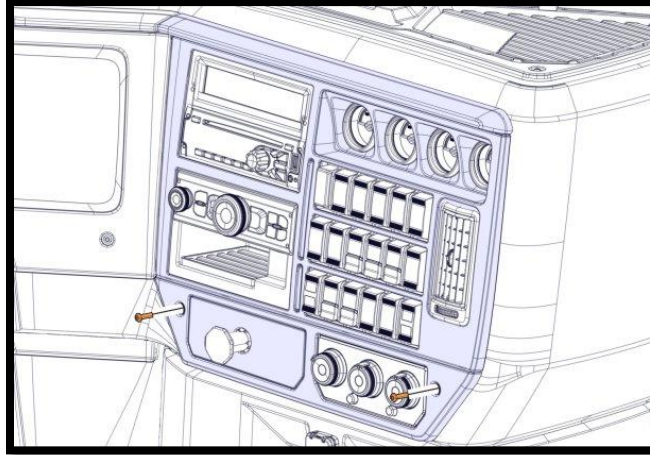


29. Install the knob.



30. Install the screws.

Snow Door Under Hood Airbox



Tightening torque	
Dashboard, panel, screw	2.5 ±0.5 Nm (2 ±0.4 lb·ft)

31. Reconnect the negative terminal.
32. Test the operation of the snow door switch.
33. Shut and latch the hood.
34. Remove the wheel chocks.
35. Release truck back into service.