

## Steering Gear Mounting Hardware Check

**Service Category** Service

**Section** Function Group 642

**Technician Skill Level** A

**Market** North America

### Applicability

**VOLVO**

Years	Models
2023	VHD, VN

### Introduction

Volvo has determined that certain model year 2023 VHD, VN model trucks, require an inspection and retorque of the steering gear mounting hardware. Follow the instructions below to check relaxed torque and then retorque all steering gear mounting hardware.

### Production Change Information

This bulletin applies to vehicles built within the specified production changes below.

Brand	Engine	Emission Level	Starting Build Date	Ending Build Date
Volvo	CU15, D11, D13	EM-USA21	12-November-2022	24-January-2022

### Warranty Information

<b>This repair is covered by an authorized Service Program. Reimbursement is obtained through the normal claim handling process.</b>		
Claim Type (used only when uploading from the Dealer Bus. Sys.)		<b>B</b>
<b>Main Labor Code</b>	<b>Description</b>	<b>Hours</b>
1720-16-09-01	Campaign, general (0.1 X 4)	0.4
<b>Causal Part</b>	<b>23821955</b>	
<b>SCC Authorization Code</b>	<b>S3029</b>	
<b>Expiration Date</b>	<b>March 31, 2024</b>	

## Steering Gear Mounting Hardware Check

---

### Parts Information

- NA

### Required Tools & Equipment

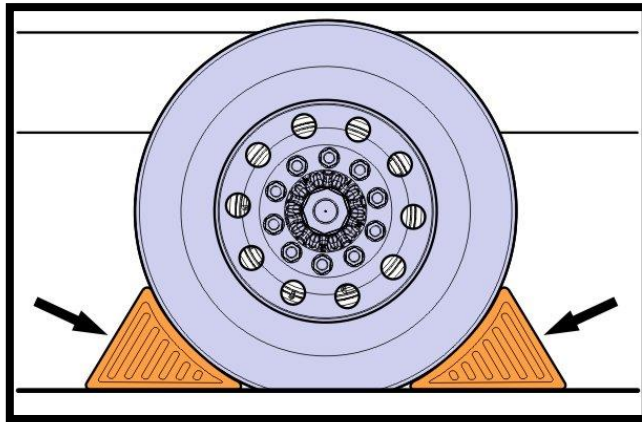
- NA

### Calibration Information

- NA

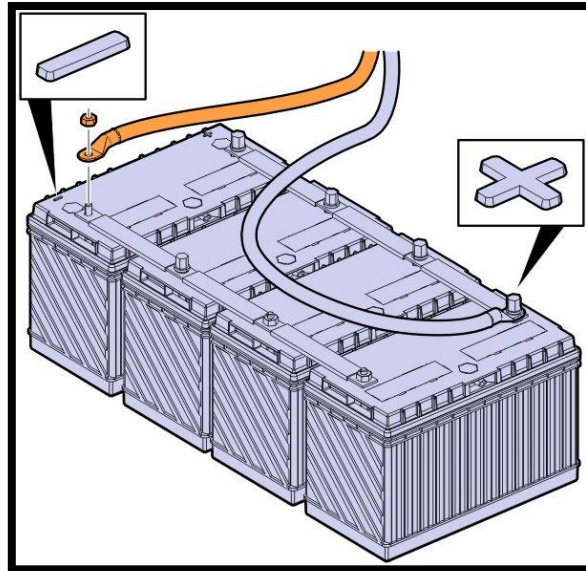
### Inspection Procedure

1. Secure the vehicle for service.
2. Apply the parking brake.
3. Please the gear lever in neutral.
4. Install wheel chocks.



5. Disconnect the cable from the negative terminal.

## Steering Gear Mounting Hardware Check



6. Unlatch and raise the hood.
7. Locate the M20 steering gear mounting hardware.

Relaxed torque	
Steering gear mounting hardware	275±15Nm (202±10ft lbs)

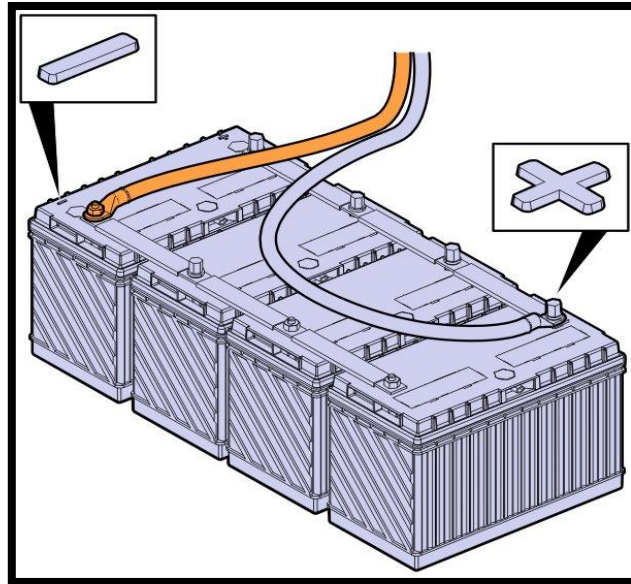
8. Using a calibrated torque wrench, check the relaxed torque of the steering gear mounting hardware.
  - a. If the steering gear mounting hardware **does not** move when checking relaxed torque proceed to step 9.
  - b. If the steering gear mounting hardware **moves** when checking relaxed torque, Retorque all steering gear mounting hardware to specifications using Impact function group 64.

Important Note!
If steering gear hardware is found loose, please report it to the reliability group by emailing to <a href="mailto:reliability@volvo.com">reliability@volvo.com</a> and include <ul style="list-style-type: none"> <li>• VIN number</li> <li>• Milage/HRs</li> <li>• Service tech contact information</li> </ul>

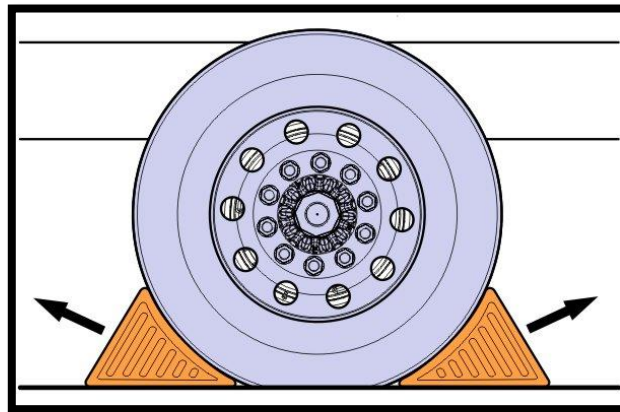
9. Shut and latch the hood.
10. Connect the cable to the negative terminal.

## Steering Gear Mounting Hardware Check

---



11. Remove the wheel chocks.



12. Return the vehicle to service.