

# Technical Journal

TITLE:

**Blown fuse, compressor - air suspension**

<b>REF NO:</b> TJ 31423.18.3	<b>ISSUING DEPARTMENT:</b> Technical Service	<b>CAR MARKET:</b> United States and Canada	
<b>PARTNER:</b> 3 US 7510 Volvo Car USA		<b>ISSUE DATE:</b> 2023-02-14	<b>STATUS DATE:</b> 2023-02-15
<b>FUNC GROUP:</b> 7641	<b>FUNC DESC:</b> Level control, complete	Page 1 of 14	

“Right first time in Time”

## Attachment

File Name	File Size
Air suspension hoses to compressor.JPG	0.0679 MB
TJ 31423 - 1.jpg	0.0325 MB
TJ 31423 - 2.jpg	0.1334 MB
TJI-514118-1_1_0_en-US XC60.pdf	3.3795 MB

Rows beginning with \* are modified

Note! If using a printed copy of this Technical Journal, first check for the latest online version.

## DESCRIPTION:

\* Customer Symptom Codes added.

If the air suspension system is not working due to a blown fuse for the compressor, then follow the advice under Service section below.

## CSC Customer Symptom Codes

Code	Description
IV	Text window and warning symbol/Text message
8M	Warning lights and chimes/Other warning/chime problems
RA	Active chassis function/Does not work

## DTC Diagnostic Trouble Codes

Control Module	Code	Fault Type
SUM	B104177	Intermittent

# Technical Journal 31423.18.3

## Vehicle Type

Type	Eng	Eng Desc	Sales	Body	Gear	Steer	Model Year	Plant	Chassis range	Struc Week Range
234							2017-2017		0000001-9999999	201617-201752
235							2017-2020		0000001-0134228	201620-201948
236							2017-2020		0000001-0109183	201646-201948
238							2018-2020		0000001-9999999	201646-202008
246							2018-2020	21	0000001-0516943	201717-201948
246							2018-2020	36	0000001-9999999	201746-202011
256							2016-2020		0000001-0582022	201505-201948

## SERVICE:

Perform fault tracing according to VIDA, secure that the fuse and relay are OK.

- Replace the compressor fuse 40A, PN 31346535
- Replace the compressor relay, PN 30765045

Test the complete air suspension system for leaks and/or squeezed hoses **before** replacing the compressor. If no other issues are found, **continue** with compressor replacement.

- Replace compressor according to VIDA, VCC ID: VCC-479322-1

Improved compressors have been introduced in production in Torslanda (VCT) 19w48 and planned to be introduced in Daqing (VCDQ) 20w08 and Chengdu (VCCD), Malaysia (VCMM) 20w11.

Note: The concerned fuse is located in the cargo area right side under the storage compartment, fuse number 3, refer to picture [TJ 31423 - 2.jpg](#).

On XC60 use the attached instruction TJI-514118-1\_1\_0\_en-US XC60

Note: Pay attention to which hose is connected to where on the compressor. See attached picture, [Air suspension hoses to compressor.jpg](#).

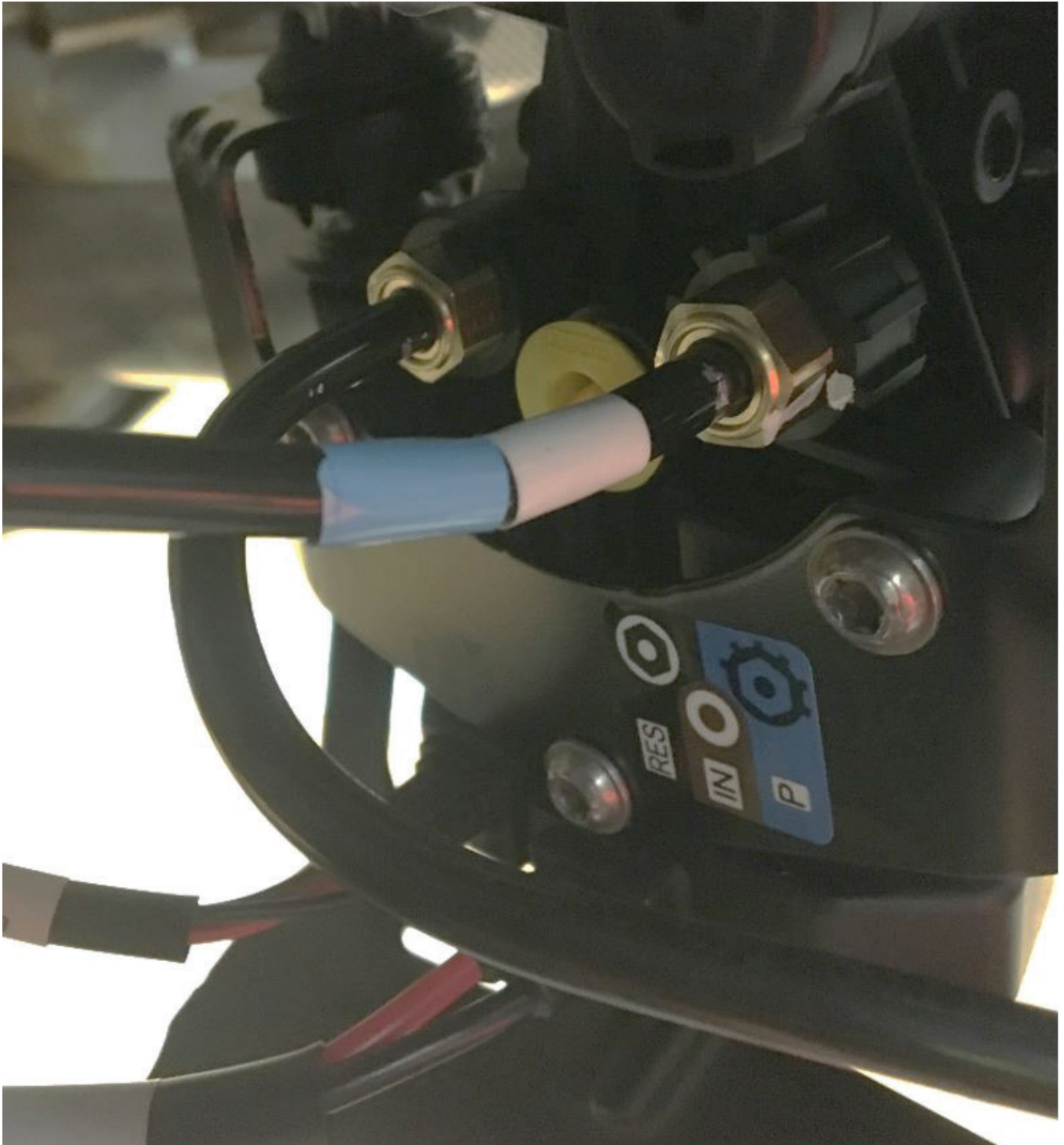
## VST Operation Number

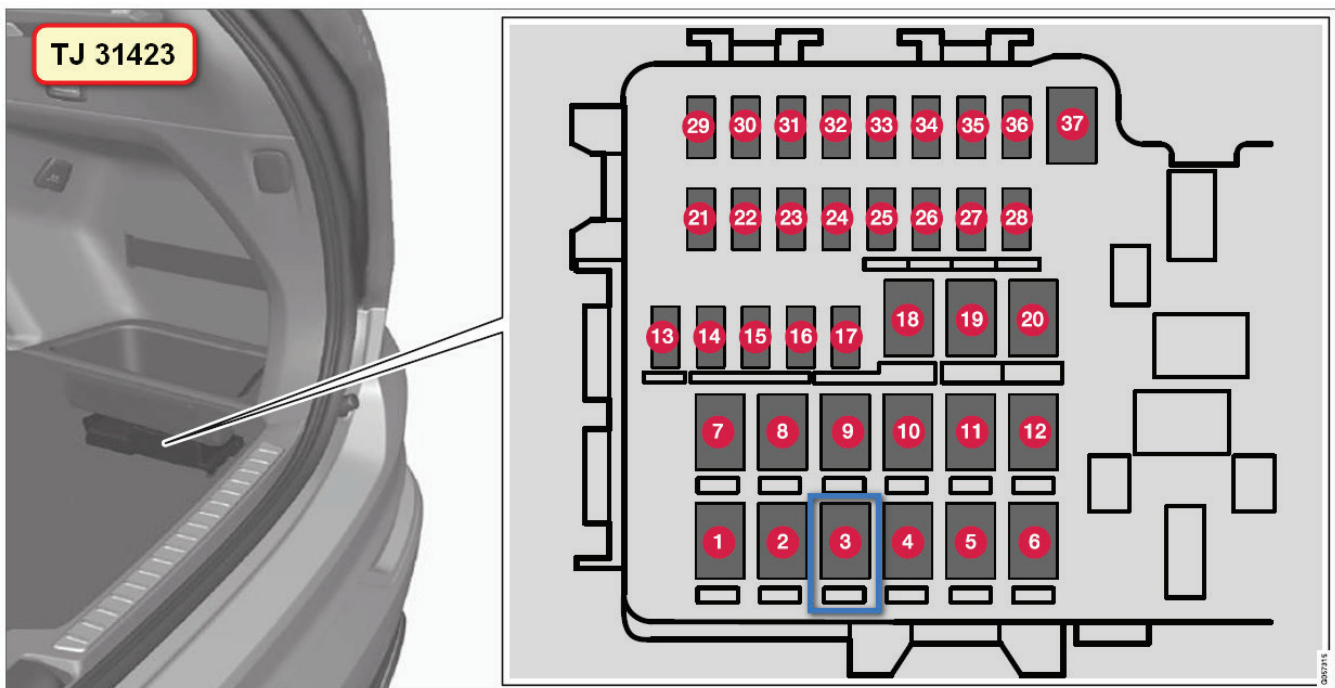
VST Operation Number	Description
98717-2	Fuse replace acc. TJ31423
72812-2	Compressor, air suspension
36050-2	Calibrating/Identifying with VIDA

## VEHICLE REPORT:

Yes, please submit a Vehicle Report if the service solution described in this TJ has no effect. Use concern area "Vehicle Report" and sub concern area "Support not needed", use function group 7641.

**To view TJ attachments continue to next page. This TJ has four attachments.**







## Volvo Car Customer Service

TJ Instruction VCC-514118-1

<b>Title</b>	Fuse	<b>Page</b>	1 ( 10 )
<b>Action</b>	Replacement	<b>Operation number:</b>	98717-2

<b>Issue</b>	<b>Date</b>	<b>Reason</b>
1	2018-10	First issue

### Affected vehicles

<b>Model year</b>	<b>Model</b>
2018, 2019	XC60 (18-)

### Special tools

<b>Description</b>	<b>Part No.</b>
PULLER (SEAL-PINION,CAM-CRANKSHAFT)B200-6304	999 5919

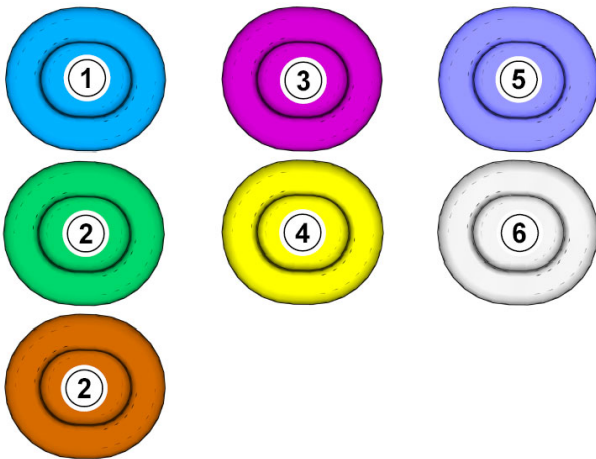
### Equipment

<b>Designation</b>	<b>Part No.</b>
Interior trim remover	

## Removal

**Note! Removal steps in this procedure may contain installation details.**

## Color symbols

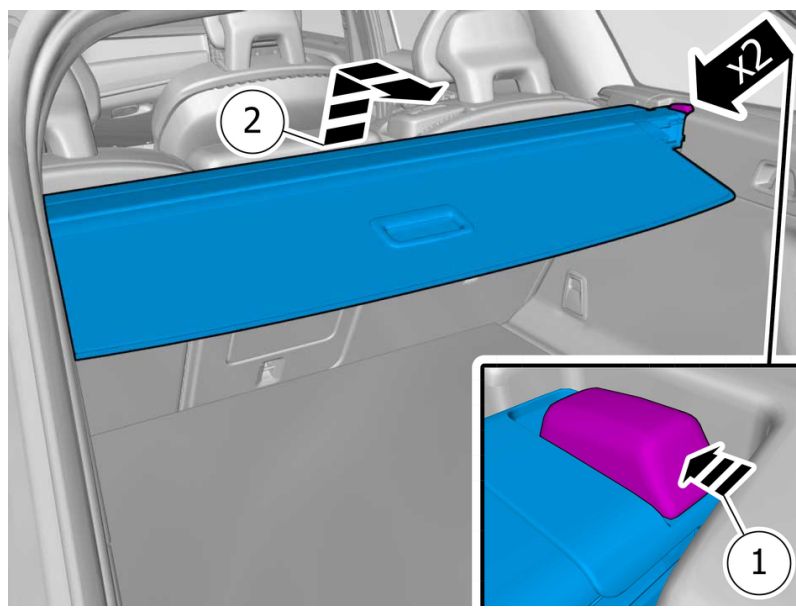


**Note! This colour chart displays (in colour print and electronic version) the importance of the different colours used in the images of the method steps.**

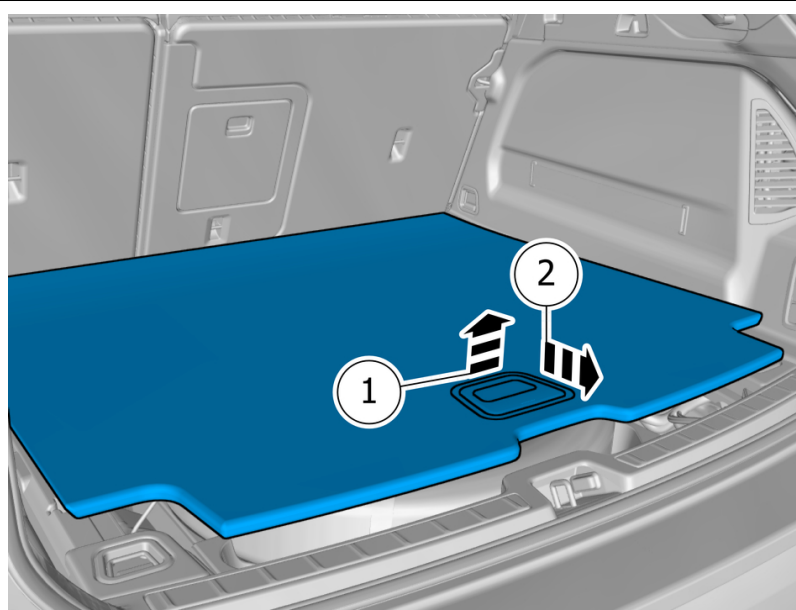
- 1 . Used for focused component, the component with which you will do something.
- 2 . Used as extra colors when you need to show or differentiate additional parts.
- 3 . Used for attachments that are to be removed/installed. May be screws, clips, connectors, etc.
- 4 . Used when the component is not fully removed from the vehicle but only hung to the side.
- 5 . Used for standard tools and special tools.
- 6 . Used as background color for vehicle components.

Set the vehicle to Inactive mode, described in user mode , refer to:

- General Information
- 3 - Electrical system
- 30 - General
- 300 - general

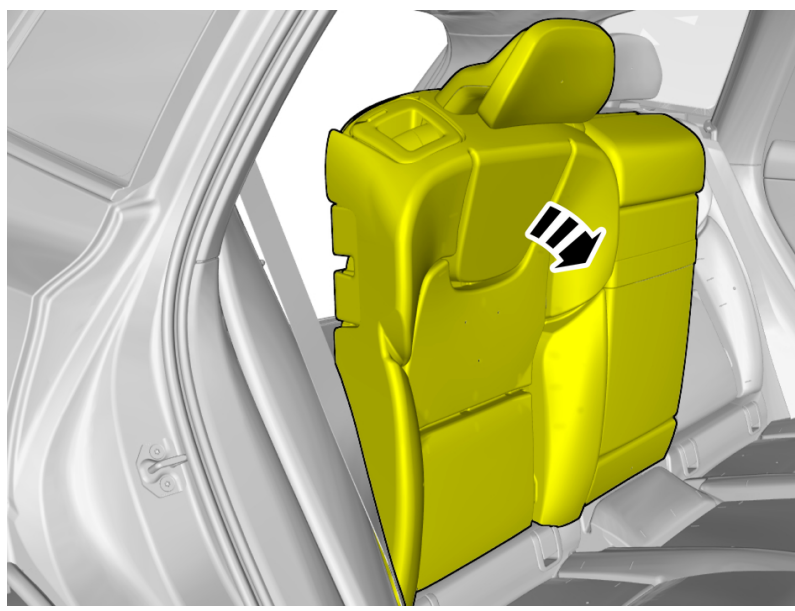


Remove the marked part.



**Caution! Observe caution when carrying out this step.**

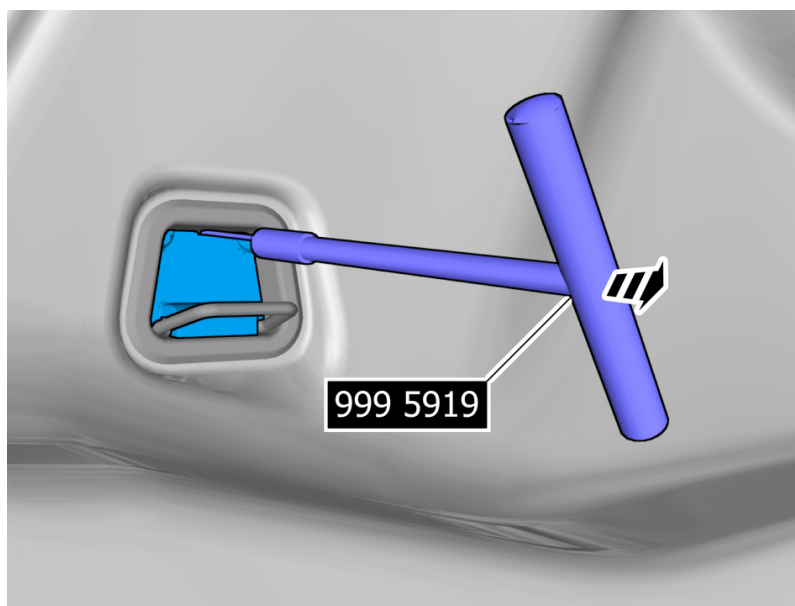
Remove the marked part.



Fold marked part to one side.

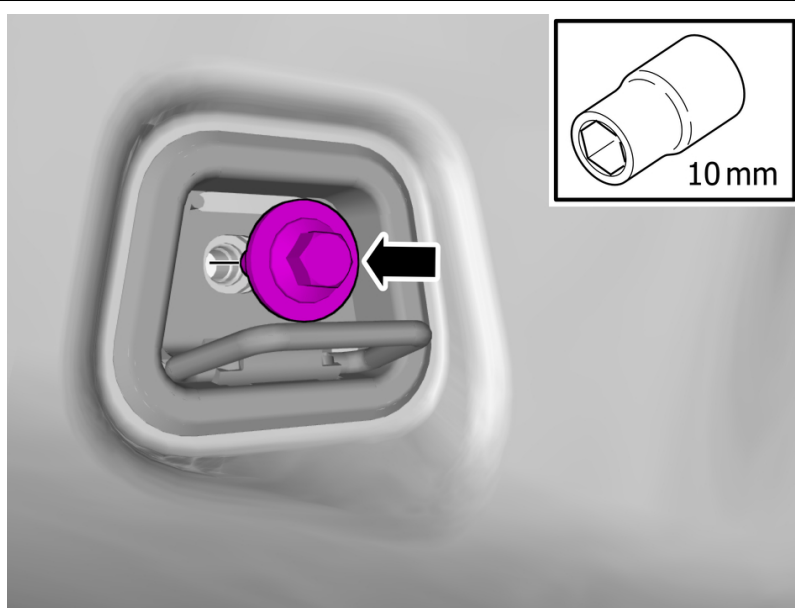






Remove the marked part.

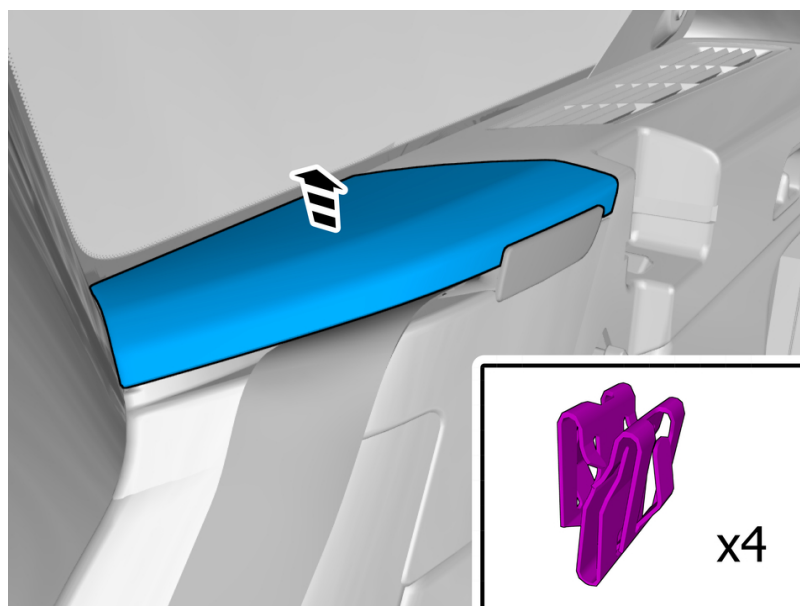
Special Tool: T9995919, PULLER (SEAL-PINION,CAM-CRANKSHAFT)B200-6304



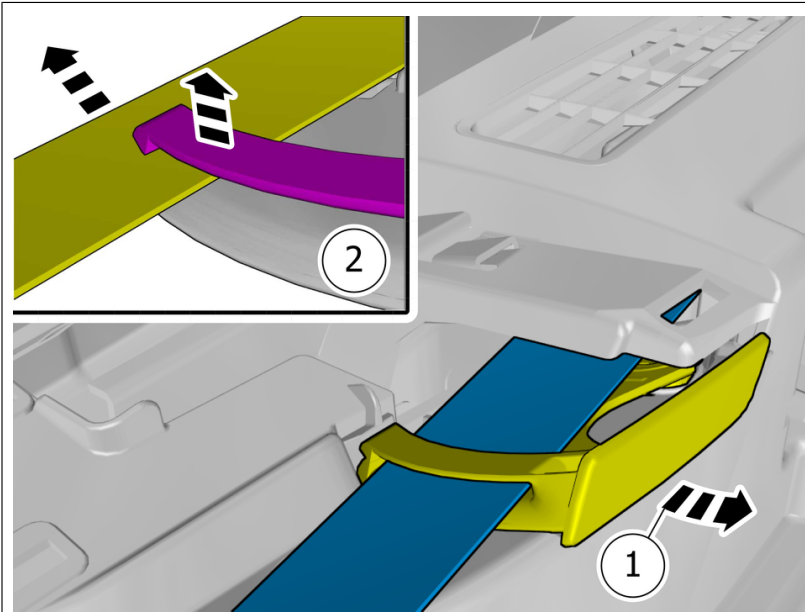
Remove the screw.

**Torque:**

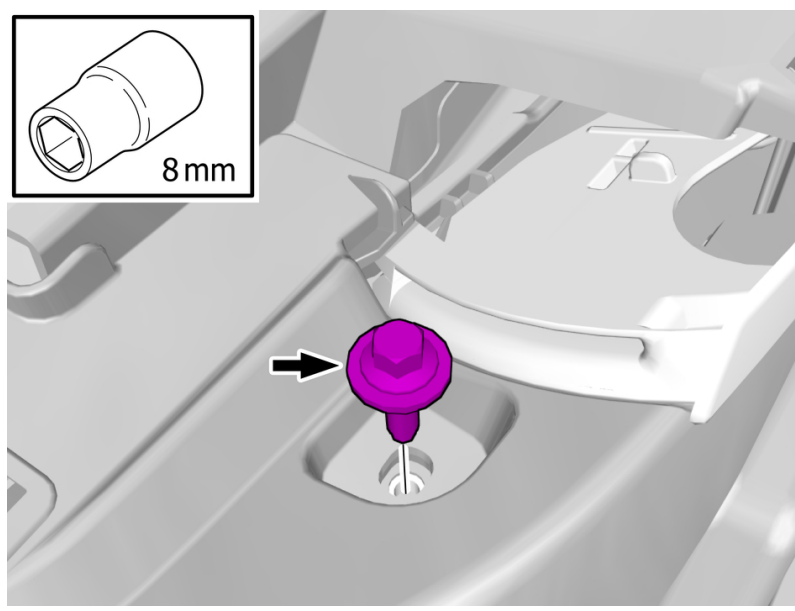
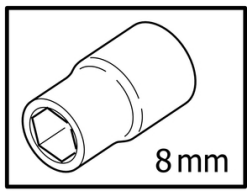
M8 , 24 Nm



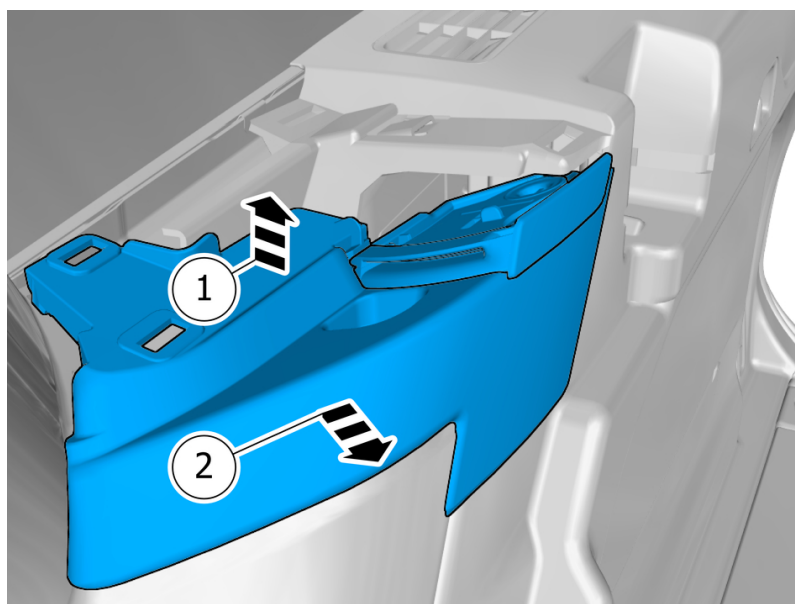
Remove the marked part.



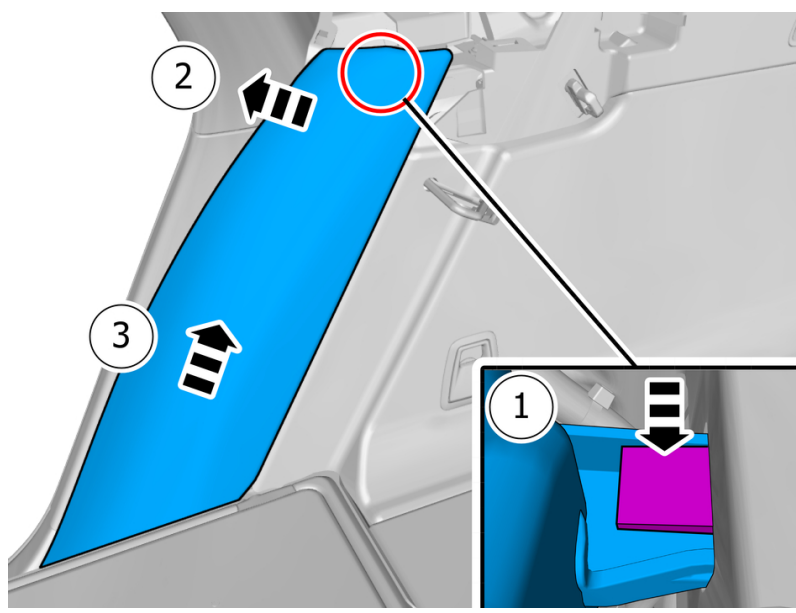
Fold marked part to one side.



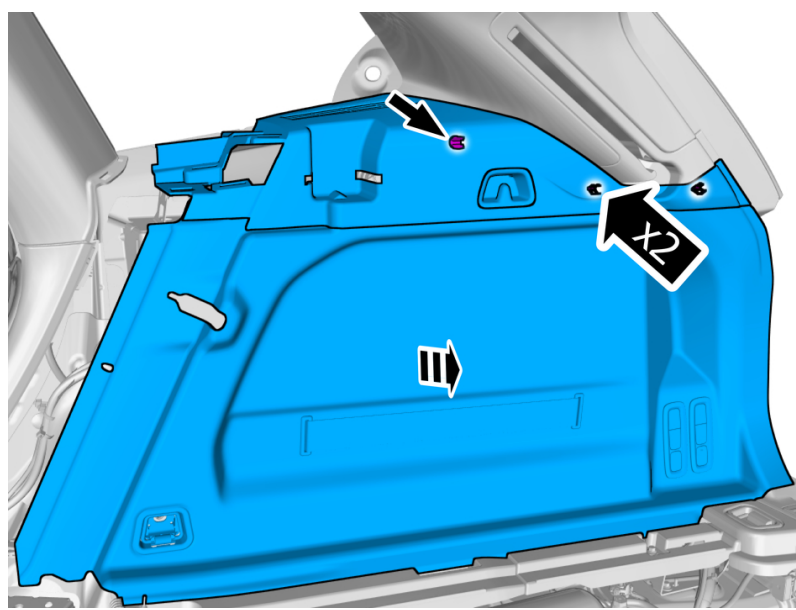
Remove the screw.  
Use hands only.



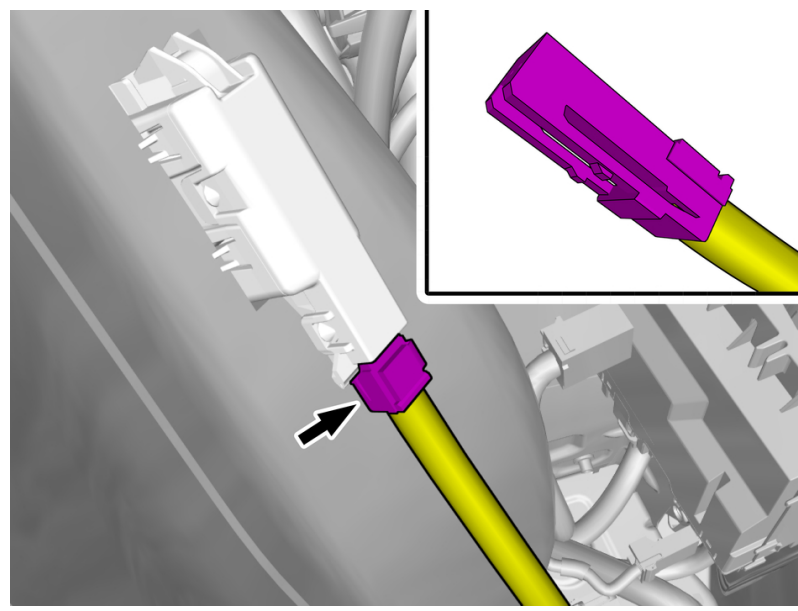
Remove the marked part.



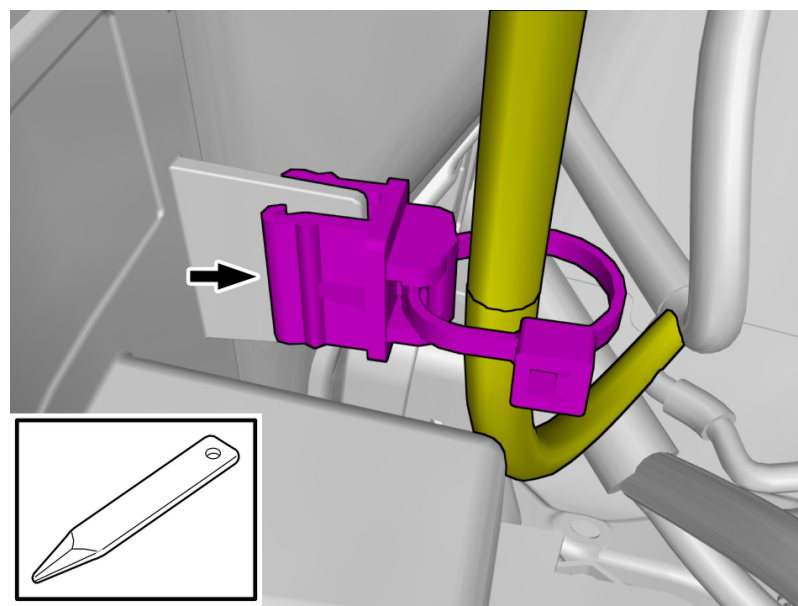
Release the catch.  
Remove the marked part.



Loosen the clips.  
Remove the marked part.

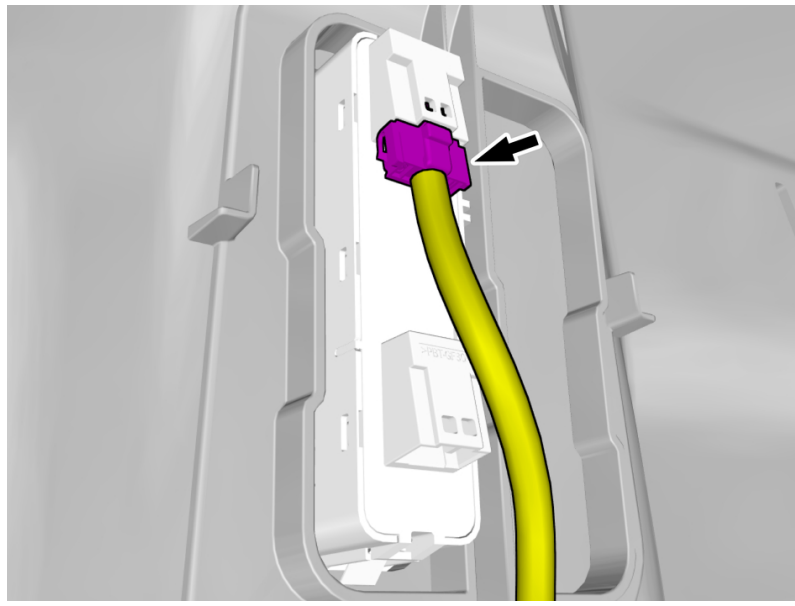


Disconnect the connector.



Loosen the clip.

**Use:** Interior trim remover



**Note!** The number of connectors may vary depending on the vehicle's equipment level.

Disconnect the connector.



Remove the marked part.

### Installation

To install, reverse the removal procedure.