

PORSCHE Dashcam Taycan with QK3 Pre-Installation



Information

Please pass all this information on to the customer.

Also give the customer a copy of the first pages of these Installation and Conversion Instructions, including the legal regulations.

Cause:

Retrofitting



Information



Figure 1

Model Year: **As of 2020**

Note:

The Porsche front camera (dashcam) is affixed to the **LEFT** of the interior mirror (viewed in direction of travel) on the windshield and is connected to the vehicle electrical system.

It is ideal for making video recordings of driving situations and while parking. It can be configured and operated using a related app on your smartphone.

Recorded videos are stored on the supplied SD card and previous recordings are overwritten.

If the dashcam detects a shake/vibration or if the radar sensor is triggered, the recorded video is stored separately and not overwritten. Recordings can be downloaded directly from the SD card or via the app.

**Information****Important information for customers/customer advisors**

- Ask customers to download and install the "Porsche Dashcam App" from the App Store (Apple or Google Play) on their device (smartphone/tablet) in advance.

For vehicle handover:

- Together with the customer, check whether a firmware update via "Porsche Dashcam App" is necessary. Perform the firmware update together if necessary.
- Together with the customer, choose the "Region/State/Country" by selecting the relevant flag and format the SD card.

Other information for the customer:

- The customer is responsible for choosing the right "Region/State/Country"!
- After crossing a national border: Update the "Region/State/Country" (see also conditions of use for this topic)

Parts Info: **9Y0.044.951** ⇒ PORSCHE front and rear cameras (dashcam), set

Always order at the same time:

Part No.:	9Y0.044.955.C	1x	⇒ Wiring harness for front 730 mm
	9Y0.044.956	1x	⇒ Wiring harness for rear end 300 mm
	9Y0.044.956.A	1x	⇒ Wiring harness for rear end 610 mm wiring harness for CUV and Sport Turismo
	N.017.131.16	1x	⇒ Blade-type fuse, 5 amp

Parts list:

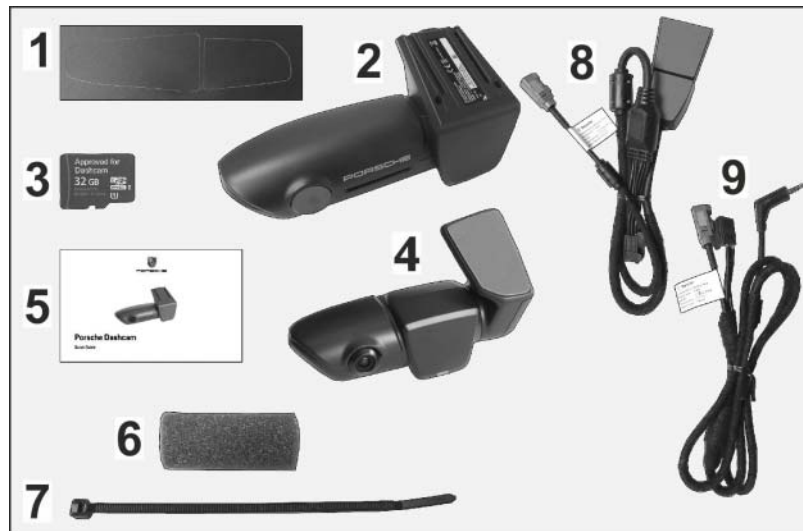


Figure 2

---	1 x	3M privacy film (front & rear camera) ⇒ <i>Figure 2-1-</i>
9Y0.088.070	1 x	Front camera ⇒ <i>Figure 2-2-</i>
---	1 x	Micro SD memory card (32 GB, plugged into front camera) ⇒ <i>Figure 2-3-</i>
9Y0.088.071	1 x	Rear camera ⇒ <i>Figure 2-4-</i>
---	1 x	PORSCHE dashcam operating instructions ⇒ <i>Figure 2-5-</i>
---	6 x	Protective foam (Ø approx. 29 x 74) ⇒ <i>Figure 2-6-</i>
---	12 x	Tie-wrap, 145 x 3.6 x 1.1 ⇒ <i>Figure 2-7-</i>
9Y0.044.955	1 x	Wiring harness for front 730 mm ⇒ <i>Figure 2-8-not contained in set, order separately at same time</i>
9Y0.044.956.	1 x	Wiring harness for rear end 300 mm, limousine ⇒ <i>Figure 2-9-not contained in set, order separately at same time</i>
9Y0.044.956.A	1 x	Wiring harness for rear end 610 mm, CUV / Sport Turismo ⇒ <i>Figure 2-9-not contained in set, order separately at same time</i>

Repair Kits: **ONLY** when replacing the windshield:

9Y0.044.931	1 x	"Adhesive pad" repair kit, includes:
---	1 x	Adhesive pad on front camera retainer plate (grey)
---	1 x	Adhesive pad for rear camera (grey)
---	1 x	3M privacy film (front & rear camera) ⇒ <i>Figure 2-1-</i>

Repair Kits: **ONLY** when replacing the rear window:

9Y0.044.931	1 x	"Adhesive pad" repair kit, includes:
-------------	-----	--------------------------------------

— — —	1 x	Adhesive pad on front camera retainer plate (grey)
— — —	1 x	Adhesive pad for rear camera (grey)
— — —	1 x	3M privacy film (front & rear camera) ⇒ <i>Figure 2-1-</i>

Technical
Details:

- Video recording in Quad High Definition (QHD)
- Lens with polarization filter to reduce reflections and improve colors and contrasts
- Audio recording (can be deactivated)
- Global positioning system (GPS) - sensor
- Vibration sensor
- Radar sensor for video recording when an object is approaching the vehicle
- Bracket for the windshield for fixed mounting on the vehicle

Materials:

— — —	1 x	Auxiliary line (Tekalan or Teflon hose) approx. 1,500 mm long
— — —	1 x	Wrapping/insulating tape (commercially available)
— — —	1 x	Cleaning cloth (commercially available)
— — —	1 x	Isopropanol (commercially available)

Tool:

9900 - PIWIS Tester 3/ 4

Tablet, smartphone or PC with Internet access

Marking pencil/chalk

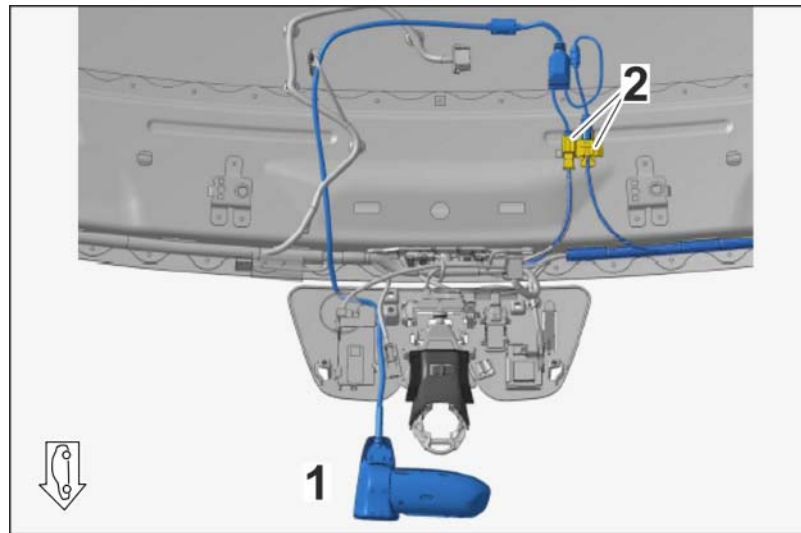
Flashlight

Plastic squeegee

Assembly:

- 1 Preparatory work
 - 1.1 Clean inside and outside of the windshield.
 - 1.2 Connect a battery charger. ⇒ *Workshop Manual 'Charge battery/vehicle electrical system'*.
 - 1.3 Expose front roof/(interior) rear-view mirror area
 - 1.3.1 Remove roof console. ⇒ *Workshop Manual 'Removing and installing front roof console'*
 - 1.3.2 Remove A-pillar trim panels. ⇒ *Workshop Manual 'Remove and install A-pillar trim panel'*
 - 1.3.3 Remove sun visors. ⇒ *Workshop Manual 'Removing and installing sun visor'*
 - 1.3.4 Detach roof trim panel in the rear-view mirror area. ⇒ *Workshop Manual 'Removing and installing roof trim panel'*
- 2 Fit PORSCHE front camera (dashcam) in the vehicle

Overview of installation position and plug connection.



NAR variant

- 1 – Installation position of dashcam
- 2 – Position of connection point

2.1 Position front camera (dashcam) to the **LEFT** of the interior mirror on the windshield in direction of travel

2.1.1 Fit retainer plate with wire harness on the base of the front camera until the locking mechanism engages (⇒ Figure 4).

- 1 – Retainer plate with wire harness
- 2 – Front camera base

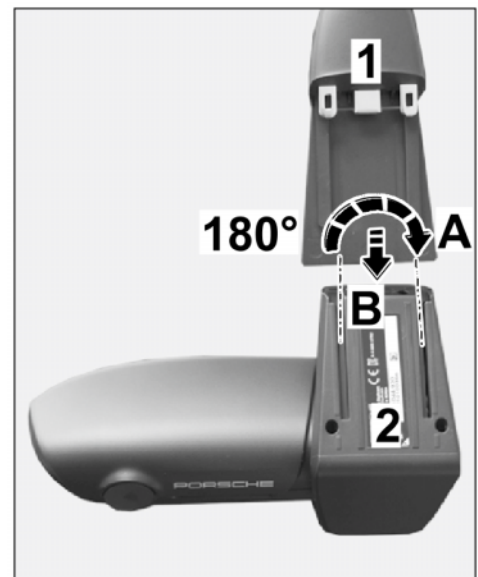
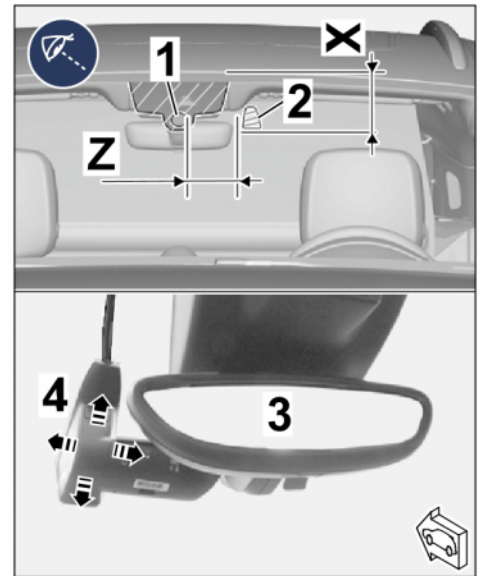


Figure 4

- 2.1.2 Trace the outline of the interior mirror (\Rightarrow *Illustration may be different, check dimensions -1-*) on the outside of the windshield using a marking pencil/chalk.

- 1 – Outline of rain sensor
- 2 – Outline of front camera base
- 3 – Interior mirror
- 4 – Front camera
- X – NAR: 276 mm/ 10.9 in
- Z – NAR: 28 mm/ 1.1 in



*Illustration may be different,
check dimensions*

- 2.1.3 Copy dimensions X and Z on the windshield. **The following dimensions affect the NAR variants**

Dimension X = distance from lower edge of outline of front camera base to edge of roof: **Length 276 mm/ 10.9 in**

Dimension Z = distance from inner edge of outline of front camera base to inner edge of outline of rain sensor: **Length 28 mm/ 1.1 in**



Information

Observe the following points during positioning/alignment:

- Sufficient distance between front camera and interior mirror base: at least 5 mm/ 0.2 in!
- Get another person standing in front of the vehicle to check and confirm the horizontal alignment of the camera with the PORSCHE logo!

- 2.1.4 Position front camera with retainer plate in the vehicle at the marking on the windshield.
- 2.1.5 Get another person to trace and shade in the outline of the retainer plate on the outside of the windshield using a marking pencil/chalk.
- 2.1.6 Clean the inside of the windshield in the bonding area for the retainer plate (shaded area) to remove any dust and grease.

- 2.2 Fit front camera (dashcam) on the windshield

NOTICE

Adhesive films not prepared/installed correctly

- **Damage to adhesive films**

- **Inadequate adhesion of adhesive films**
 - ⇒ **Carefully clean the areas on which you intend to stick the film to ensure that all traces of oil, grease and silicone are completely removed.**
 - ⇒ **Do not touch the bonding surfaces.**
 - ⇒ **Object (adhesive film, vehicle, etc.) and ambient temperature: Minimum temperature 15°C / 59°F.**

2.2.1 Pull 3M privacy film off the backing sheet (⇒ *Figure 6 -A-*).

- 1** – 3M privacy film
- 2** – Marked bonding surface
- 3** – Interior mirror base

2.2.2 Position 3M privacy film on the marked bonding surface on the windshield (⇒ *Figure 6 -B-*).

2.2.3 Carefully affix 3M privacy film using a plastic squeegee, starting from the center and moving towards the edge.

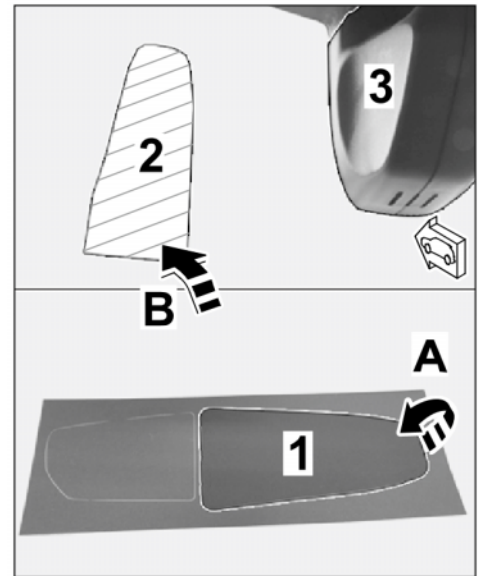


Figure 6

2.2.4 Pull protective film off the front camera retainer plate (⇒ *Figure 6-A-*).

- 1 – Protective film
- 2 – Front camera
- 3 – 3M privacy film
- 4 – Interior mirror



Information

Observe the following points during positioning/alignment:

- Sufficient distance between front camera and interior mirror base: at least 5 mm/ 0.2 in!
- Get another person standing in front of the vehicle to check and confirm the horizontal alignment of the camera with the PORSCHE logo!

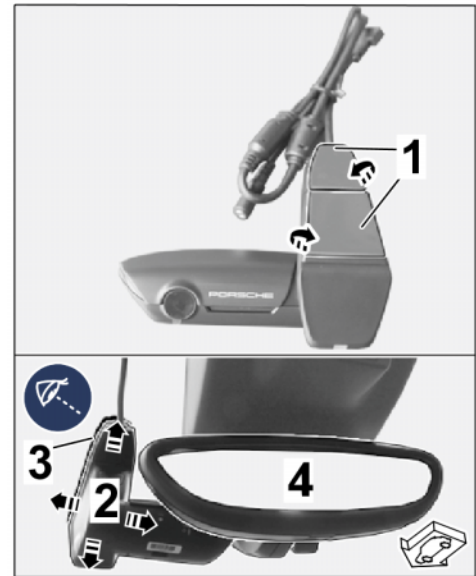


Illustration may be different, check dimensions

Align front camera with retainer plate symmetrically with respect to the 3M privacy film (⇒ *Illustration may be different, check dimensions -Bottom-*).

2.2.5 Press front camera with retainer plate firmly onto the 3M privacy film on the windshield.

2.3 Routing wire harness

2.3.1 On the connector side, push one protective foam roll onto the wire harness for the front camera retainer plate and the (3-wire) wire harness.

2.3.2 Make the plug connection (6-pin) under the roof lining.

2.3.3 Guide wire harness for front camera (dashcam) vertically with respect to the headliner/roof console.

2.3.4 Push protective foam roll over the (6-pin) plug connection.

Secure (6-pin) plug connection and connection for front camera wiring harness to existing components/lines under the headliner in the roof console area with tie-wraps. Protective foam roll must also be wrapped around the connection.

2.4 Connect electric wire harness coming from DashCam to wiring harness preparation

Function/line:	Connection point for LHD and RHD vehicles
Power supply	Connecting wiring harness to connection point preparation
Right fuse box	Right fuse box, fuse holder SF1, slot F2 5A fuse

2.4.1 Connect power supply accordingly.

2.4.2 Protect the front camera power supply with a new fuse box at the right, fuse holder SF1, slot F2 with a **5A fuse**.

Fuse: **Setpoint value 5 A**

3 Cut-out for cable guide. Cable MUST always run vertically, reworking the trim panel accordingly with a round file.

3.1 File down mirror cover using a round file. Manufacture a cable guide. ⇒ *File down the area around the line output (picture may differ). -1-*

3.2 Fit roof trim panel. ⇒ *Workshop Manual 'Removing and installing roof trim panel'*

3.3 Install sun visors. ⇒ *Workshop Manual 'Removing and installing sun visor'*

3.4 Install A-pillar trim panels. ⇒ *Workshop Manual 'Remove and install A-pillar trim panel'*

3.5 Install roof console. ⇒ *Workshop Manual 'Removing and installing front roof console'*

3.6 Clean inside and outside of the windshield.

4 Fit rear dashcam.

4.1 Remove luggage compartment lid trim panel **only for Taycan CUV and Sport Turismo**. ⇒ *Workshop Manual 'Removing and installing trim panel for rear lid'*

4.2 Detach roof trim panel in the rear area **only for the Taycan limousine**. ⇒ *Workshop Manual 'Removing and installing roof trim panel'*

4.3 Installation position and cable routing.



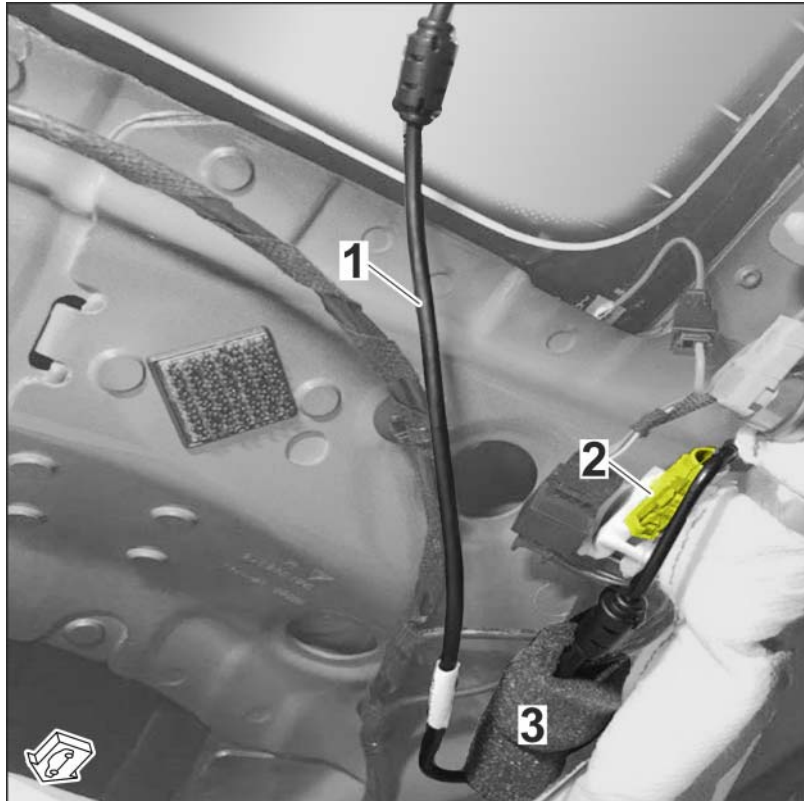
File down the area around the line output (picture may differ).

NOTICE

Incorrect cable routing

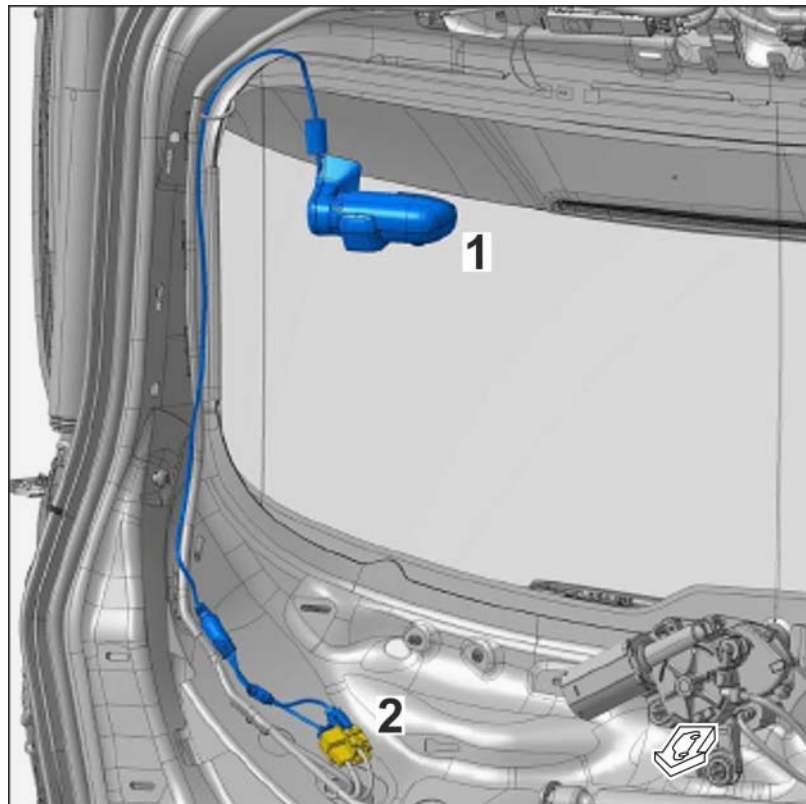
- **Damage to airbag**
- **Incorrect triggering/expansion of the airbag**

⇒ Do not secure or wind the rear camera wire harness at the airbag.



Taycan limousine

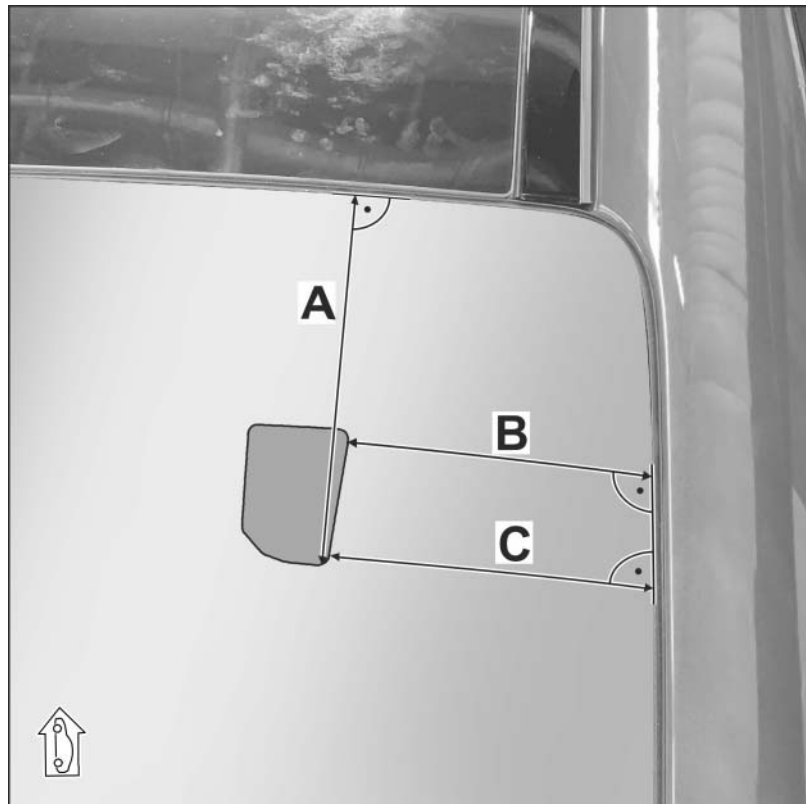
- 1 – Installation position of dashcam
- 2 – Position of connection point
- 3 – Installing foam part as shown



Taycan CUV/ Sport Turismo

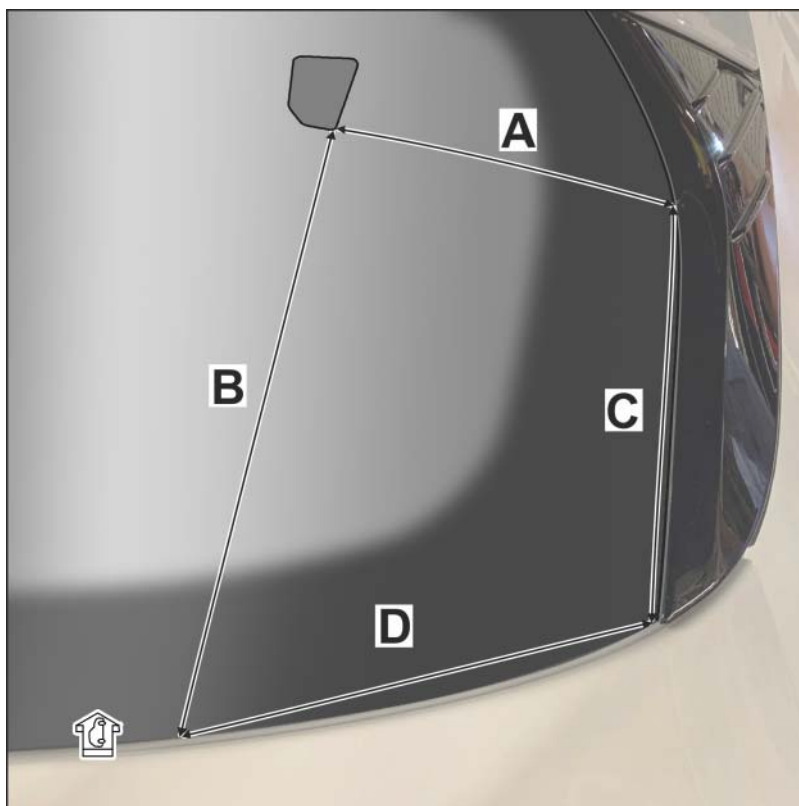
- 1** – Installation position of dashcam
- 2** – Position of connection point, fit foam part over the connection point

4.4 Dashcam positioning, dimensions based on the rear window edge.



Rear camera dimensions - limousine

- A** – 168 mm/ 6.6 in at a **right angle** to rear window edge
- B** – 115 mm/ 4.5 in at a **right angle** to rear window edge
- C** – 117 mm/ 4.6 in at a **right angle** to rear window edge



Rear camera dimensions - CUV/Sport Turismo

- A** – 170 mm/ 6.7 in
- B** – 292 mm/ 11.5 in
- C** – 217 mm/ 8.5 in
- D** – 175 mm/ 6.9 in

4.5 Installing rear camera (dashcam) on rear window

NOTICE

Adhesive films not prepared/installed correctly

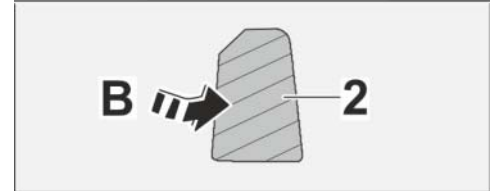
- Damage to adhesive films
 - Inadequate adhesion of adhesive films
- ⇒ Carefully clean the areas on which you intend to stick the film to ensure that all traces of oil, grease and silicone are completely removed.
- ⇒ Do not touch the bonding surfaces.
- ⇒ Object (adhesive film, vehicle, etc.) and ambient temperature: Minimum temperature 15°C / 59°F.

- 4.5.1 Pull 3M privacy film off the backing sheet (⇒ *Bonding on backing sheet -A-*).

- 1 – 3M privacy film
- 2 – Marked bonding surface



- 4.5.2 Position the 3M privacy film on the marked bonding surface on the rear window (⇒ *Bonding on backing sheet -B-*) and stick it on.



Bonding on backing sheet

- 4.5.3 Carefully affix 3M privacy film using a plastic squeegee, starting from the center and moving towards the edge.

- 4.5.4 Remove the protective film from the rear camera mounting plate.

Align rear camera with retainer plate symmetrically with respect to the 3M privacy film.

- 4.5.5 Press rear camera with retainer plate firmly onto the 3M privacy film on the rear window.

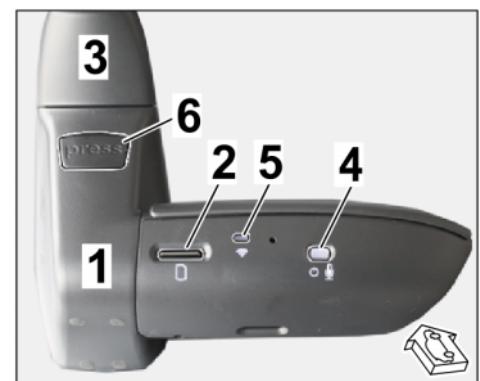
- 4.6 Fit luggage compartment lid trim panel **only for Taycan CUV and Sport Turismo**. ⇒ *Workshop Manual 'Removing and installing trim panel for rear lid'*

- 4.7 Fit roof trim panel in the rear area **only for the Taycan limousine**. ⇒ *Workshop Manual 'Removing and installing roof trim panel'*

Coding: 5 Code the PORSCHE front camera (dashcam) in Dealer mode

- 5.1 Preparatory work

- 1 – PORSCHE front camera
- 2 – Micro SD memory card (32 GB)
- 3 – Retainer plate
- 4 – Power button
- 5 – WiFi status LED display
- 6 – PRESS (release button)



DashCam overview

- 5.1.1 Remove micro SD memory card (32 GB, ⇒ *DashCam overview -2-*) from card slot for front camera.

- 5.1.2 With the ignition switched on, push the front camera (dashcam ⇒ *DashCam overview -1-*) into the retainer plate on the windshield (⇒ *DashCam overview -3-*)

- 5.1.3 Press the power button (⇒ *DashCam overview -4-*) for 10 seconds until you hear the second double beeping sound.

- 5.1.4 The front camera (dashcam) starts in Dealer mode: WiFi LED (⇒ *DashCam overview-5-*) lights up "yellow".
- 5.2 Connect the front camera (dashcam) to the device (tablet, smartphone or PC)



Information

The "Dealer mode" network ID name ends with a "D". A password is **NOT** required!

The language setting can be changed by following the menu prompts after opening the first page.

- 5.2.1 Search available networks for Dealer mode WiFi.
- 5.2.2 Open Dealer mode on the device (tablet, smartphone or PC) using any browser.
To do this, enter "**192.168.1.1/diagnostics**" in the browser's address line.
- 5.2.3 Displays in "Dealer mode" main menu:

Options:

- 1 – Browser's address line
- 2 – "Options" menu item

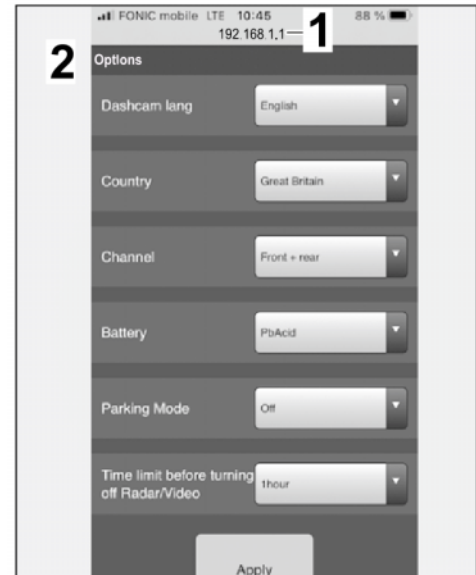


Figure 7

Diagnostics:

- 1 – Browser's address line
- 2 – "Diagnostics" menu item

5.3 Basic settings for front camera (dashcam) in the "Options" menu item

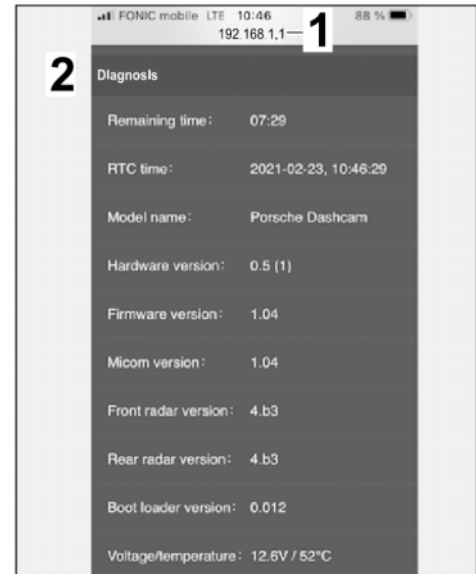


Figure 8

5.3.1 Change the default language "English" to the desired language:

- 1 – Default language "English"
- 2 – German

Example: German

- Up to 19 different languages can be selected.

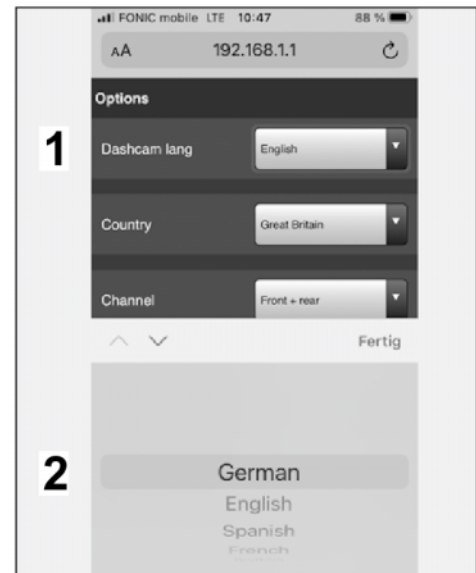


Figure 9

5.3.2 Select the country.

- 1 – Serial number of front camera (dashcam)
 - 2 – Country
 - 3 – Great Britain
- Up to 48 countries are currently available for selection.
 - The Country selection screen includes, for example: Units of measurement, frequencies and also legal regulations of the respective country.

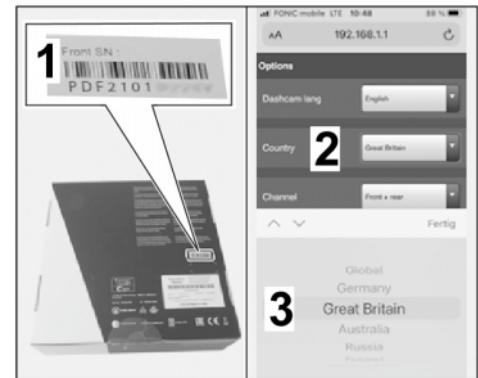


Figure 10

5.3.3 Select the required camera channel.

- 1 – Channel
 - 2 – Front + Rear
- **TEQUIPMENT:** Front and rear cameras are preset

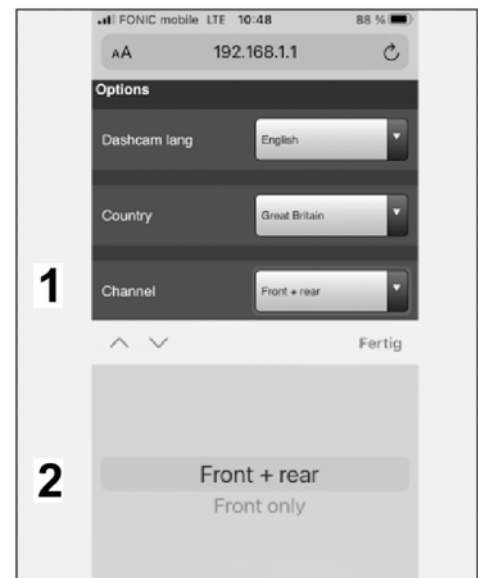


Figure 11



Information

Check which vehicle electrical system battery is installed in the vehicle if necessary by entering the vehicle identification number (VIN) in the Porsche Central Service System (PCSS).

Background: The front camera shuts down if the correct battery voltage (switch-off threshold) is not reached over a period of 5 minutes.

- Switch-off threshold for lead-acid battery (PbAcid) = 11 V

- Switch-off threshold for lithium-ion battery (LiFePO) = 13 V

5.3.4 Select the battery type

- 1 – Battery
 - 2 – PbAcid
- Select the vehicle electrical system battery installed in the vehicle.
 - **Taycan: LiFePo**

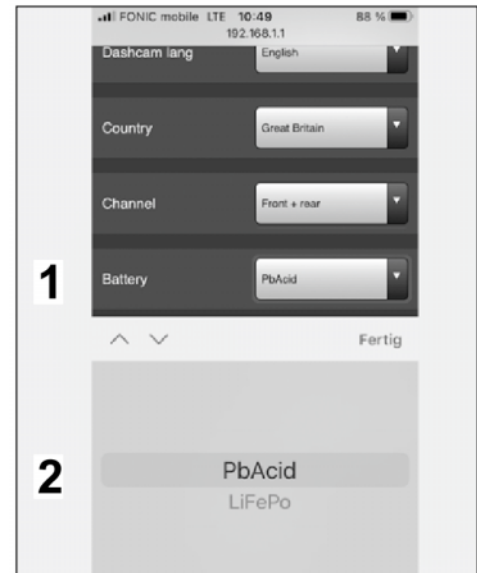


Figure 12

5.3.5 Select Park mode

- 1 – Park mode
 - 2 – Off
- Depending on the approval for the respective vehicle.
 - **Taycan: Off**

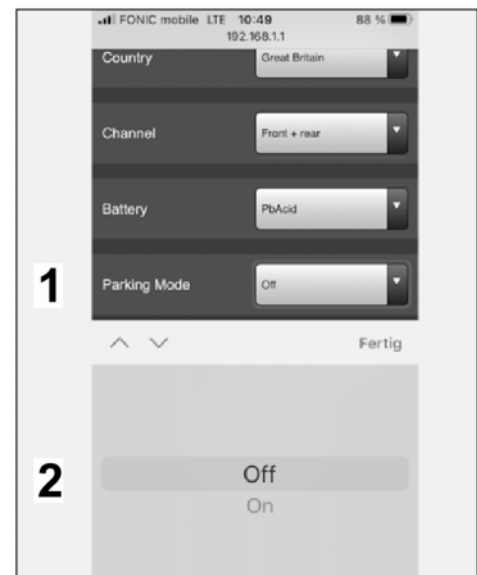


Figure 13

- 5.3.6 Select the time limit
- 1 – Time limit until radar/video is switched off
 - 2 – 1 hour
- Turn off radar/video monitoring in Park mode (battery management). After the selected time limit, fast activation of the monitoring system **ONLY** occurs if the vehicle shakes/vibrates!
 - **Taycan: Off**

5.4 Cancel Dealer mode (WiFi LED is still yellow)

5.4.1 Close the browser and switch off ignition.

5.4.2 Pull the front camera (dashcam) off the retainer plate by pressing "PRESS" (release button).

5.4.3 Insert micro SD memory card (32 GB) in the front camera (dashcam).

5.4.4 Fit the front camera (dashcam) in the retainer plate.

5.5 The settings configured under Step 5.3 are set when the ignition is switched on again.

5.6 Format the micro SD memory card (32 GB)

5.6.1 Switch on ignition.

5.6.2 Press the power button quickly 6 times in a row within 3 seconds.

Announcements via front camera loudspeaker: "Formatting in progress." and "Formatting completed."

Diagnostics: 6 Perform diagnostics on front camera (dashcam) – **ONLY** if necessary!

Information can be displayed, function tests can be run and results can be stored in the "Diagnostics" menu item.

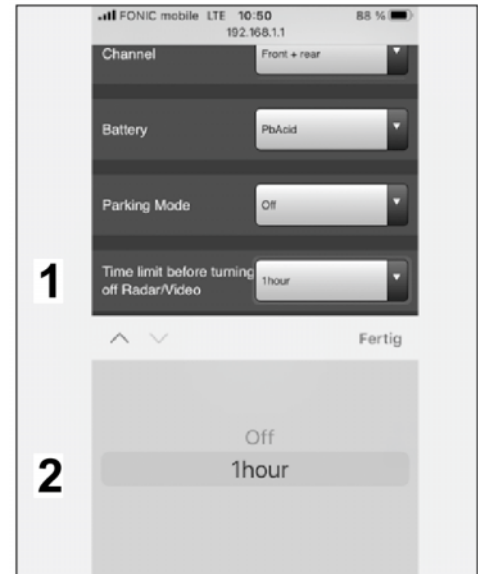


Figure 14

6.1 Information about the model name, hardware and software version, radar and more.

- 1 – Model name
- 2 – Hardware version
- 3 – Software version

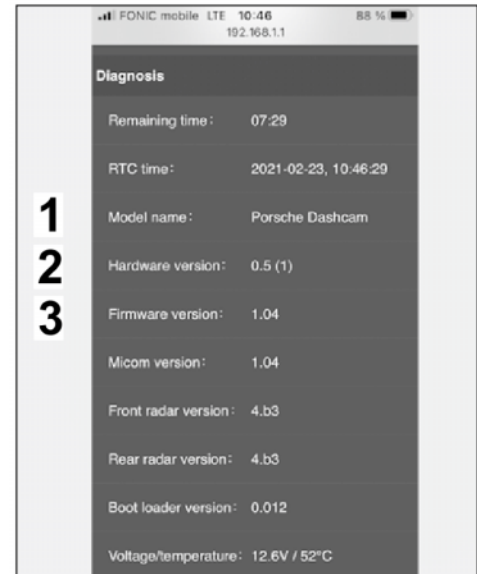


Figure 15

6.2 Display of live images from front camera, connection status, memory card status, GPS and radar status and more.

- 1 – Front camera live image
- 2 – Rear camera status (if installed)
- 3 – Micro SD memory card contents
- 4 – GPS status
- 5 – GPS coordinates

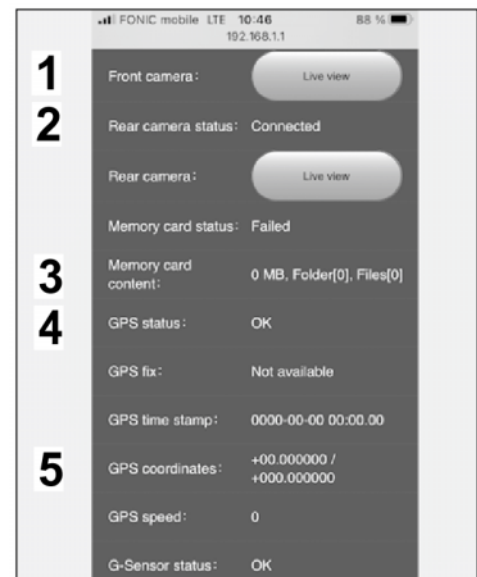


Figure 16

6.3 Display of radar status, possible tests for LED lights, loudspeaker and microphone

- 1 – Radar status
- 2 – LED Lights test
- 3 – Loudspeaker test
- 4 – Microphone test

6.4 The fault report can be stored on the micro SD memory card (32 GB). To do this, use micro SD memory card in Dealer mode and select "Diagnostics" menu item in the front camera.

Assembly: 7 Concluding work

7.1 Select the fault memory of all systems, work through any existing faults and erase the fault memory. ⇒ *Workshop Manual '0X03IN Diagnostics maintenance: Diagnostic system and maintenance inter...'*

7.2 Disconnect the battery charger. ⇒ *Workshop Manual '2X00IN Work instructions after disconnecting the battery'.*

7.3 Vehicle handover to customer



Information

Please pass all this information on to the customer.

Also give the customer the PORSCHE dashcam operating instructions.

Also give the first 3 pages of these Installation and Conversion Instructions to the customer.

7.3.1 Download the app from the App Store to the customer's device (smartphone/tablet).

7.3.2 Select and set Region/ State/ Country (flag) in the app on the customer's smartphone/tablet.

7.3.3 Firmware update by the customer via the app.

7.3.4 Format micro SD memory card (32 GB).

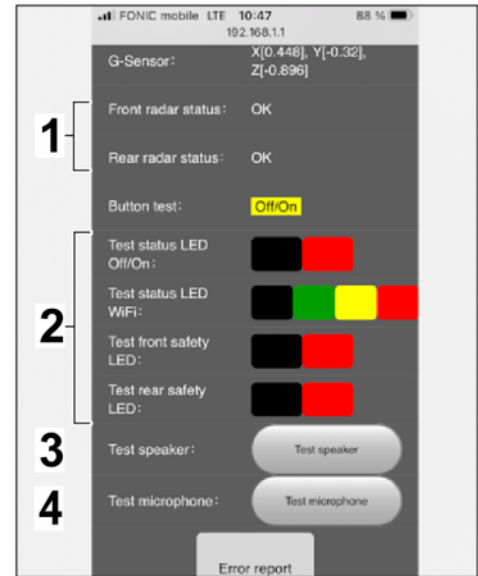


Figure 17

- 91 63 23 40: –Taycan limousine: PORSCHE front and rear cameras (dashcam) retrofitted–
Includes: Retainer plate for PORSCHE front and rear cameras (dashcam) installed on windshield;
Route and connect electric wire harness,
Format coding of the PORSCHE front and rear cameras (dashcam) in dealer mode and in the micro SD memory card,
Select fault memory, correct faults and delete them. Labor time: **205 TU**
- 91 63 23 40: –Taycan CUV/ Sport Turismo: PORSCHE front and rear cameras (dashcam) retrofitted–
Includes: Retainer plate for PORSCHE front and rear cameras (dashcam) installed on windshield;
Route and connect electric wire harness,
Format coding of the PORSCHE front and rear cameras (dashcam) in dealer mode and in the micro SD memory card,
Select fault memory, correct faults and delete them. Labor time: **235 TU**

Important Notice: Technical Bulletins issued by Porsche Cars North America, Inc. are intended only for use by professional automotive technicians who have attended Porsche service training courses. They are written to inform those technicians of conditions that may occur on some Porsche vehicles, or to provide information that could assist in the proper servicing of a vehicle. Porsche special tools may be necessary in order to perform certain operations identified in these bulletins. Use of tools and procedures other than those Porsche recommends in these bulletins may be detrimental to the safe operation of your vehicle, and may endanger the people working on it. Properly trained Porsche technicians have the equipment, tools, safety instructions, and know-how to do the job properly and safely. Part numbers listed in these bulletins are for reference only. The work procedures updated electronically in the Porsche PIWIS diagnostic and testing device take precedence and, in the event of a discrepancy, the work procedures in the PIWIS Tester are the ones that must be followed.

© 2023 Porsche Cars North America, Inc.