



Service Bulletin

Bulletin No.: 21-NA-067

Date: February, 2023

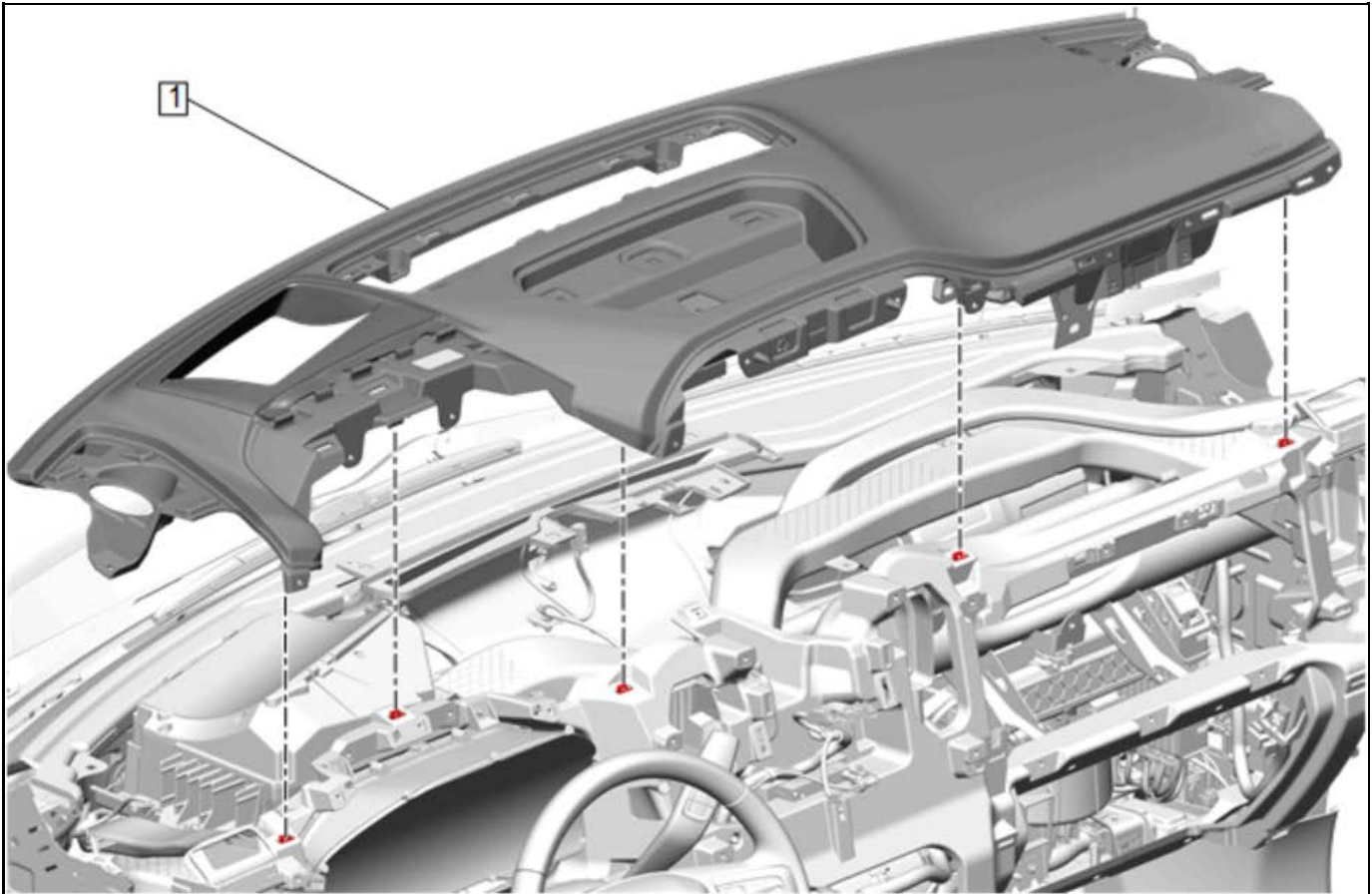
TECHNICAL

Subject: Foam Strip Between I/P Trim and Base of Windshield Detaching from Upper I/P Trim Panel

Brand:	Model:	Model Year:		Date Breakpoint:		Engine:	
from	to				Transmission:	from	to
Chevrolet	Silverado 1500 (New Model)	2019	2019	SOP	Prior to October 26, 2020	All	All
	Silverado 1500 (New Model - 12th VIN Digit = 7) - 4WD						
	Silverado 1500	2020	2021				
	Silverado 2500HD/3500HD						
GMC	Sierra 1500 (New Model)	2019	2019				
	Sierra 1500	2020	2021				
	Sierra 2500HD/3500HD						

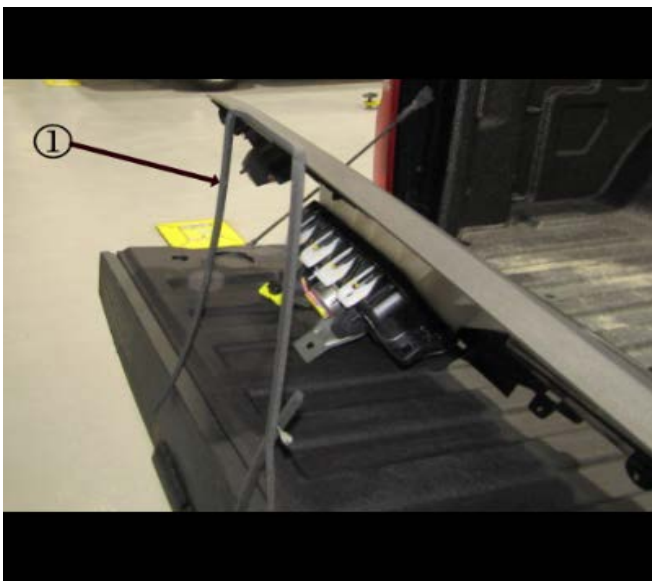
Involved Region or Country	North America, Saudi Arabia, Israel, Chile, Peru, Middle East, Palestine, Paraguay and Thailand.
Additional Options (RPOs)	
Condition	Some customers may comment on seeing the foam strip between the I/P trim, and the base of the windshield, detaching from the upper I/P trim panel.
Cause	 <p style="text-align: right; font-size: small;">5776423</p> <p>The cause of the condition may be that the grained surface of the upper I/P trim panel creates adhesion issues with the foam strip.</p>
Correction	Following the steps in the Service Procedure below, surface treat the first 30 mm (1.20 in) of the upper I/P trim panel and replace the foam strip.

Service Procedure



5028473

1. Remove the instrument panel (1). Refer to *Instrument Panel Removal and Installation*, in SI,



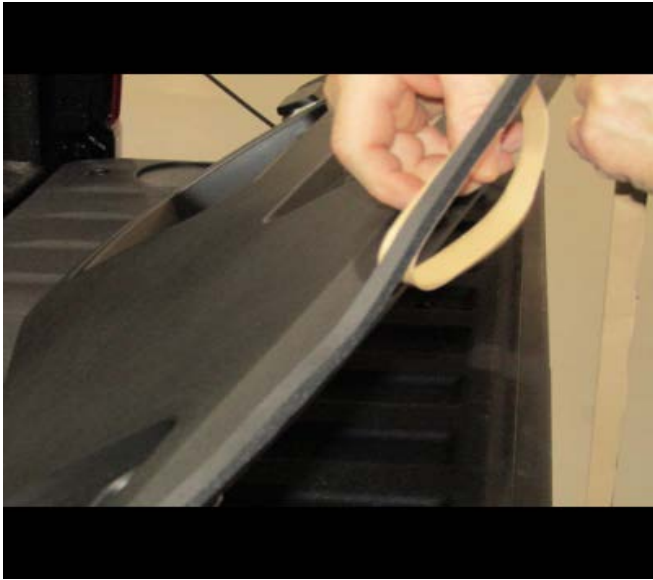
5776426

2. Peel off the existing foam strip (1).



5776428

3. Using a Sterile Alcohol Prep Pad, or equivalent, wipe off any residue and adhesive film from the IP panel.



5776430

Note: For ease of installation, the foam strip is slightly longer than the IP panel, and the excess will need to be trimmed from the finishing end.

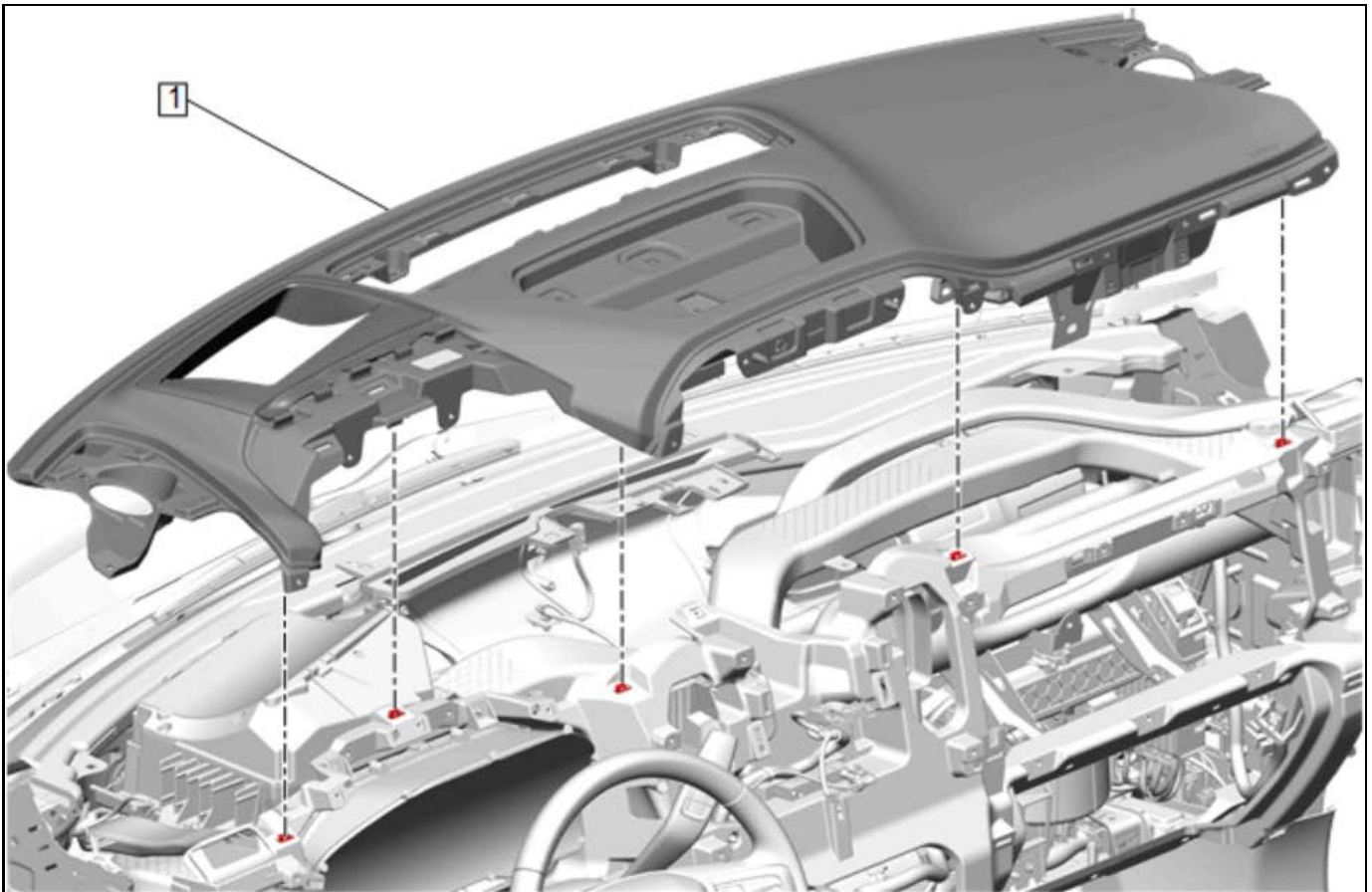
Important: The new service part has an extremely strong adhesive. Ensure it is correctly positioned when installing, because you will not be able to peel it off and reposition it.

- Once air dry, starting at either end, install the new replacement foam strip to the IP panel.



5776431

- Trim any excess length of the foam at the end of the IP panel.



- Reinstall the instrument panel (1). Refer to *Instrument Panel Removal and Installation*, in SI,

5028473

Parts Information

Causal Part	Description	Part Number	Quantity
X	SEAL-I/P TR PAD	85521054	1

Warranty Information

For vehicles repaired under the Bumper-to-Bumper coverage (Canada Base Warranty coverage), use the following labor operation. Reference the Applicable Warranties section of Investigate Vehicle History (IVH) for coverage information.

Labor Operation	Description	Labor Time
1086348*	Replace IP Foam Strip at Base of Windshield	2.5 hrs
*This is a unique Labor Operation for Bulletin use only.		

Version	2
Modified	Released February 07, 2023 Revised February 17, 2023 – Add 2021 Model Year.

