



LEISURE
TRAVEL VANS



February 27, 2023

Campaign Update CA#10280

Triple E Recreational Vehicles
A Division of Triple E Canada Ltd.

P: 204 325 4361
F: 204 325 5241

301 Roblin Blvd.
P.O. Box 1230
Winkler, Manitoba CA
R6W 4C4

U.S. Mailing:
P.O. Box 68
Walhalla, ND 58282

LEISUREVANS.COM
TRIPLEERV.COM

«First_Name»
«Address_Line_1»
«City», «State» «ZIP_Code»

Model, VIN #
Coach #

Subject: Incorrect Wiring Schematic – Supplement Owner Manual
Affects certain 2023 Wonder W24RTB motorhomes

Correction:

Affix the enclosed overlay label in section 3-2 or the 16th page in the supplement owner manual for the 2023 Wonder W24RTB. Please claim the labour to perform the campaign update on a warranty claim.

Labour to perform this Campaign Update: 0.1 hr / unit

Thank you for your anticipated support in correcting this concern.

Sincerely,

Brad Wall
Customer Service / Warranty Manager

BW/wcw

Enclosure

1 – Overlay label wiring schematic W24RTB



LEISURE
TRAVEL VANS

February 27, 2023



Campaign Update CA#10280

Triple E Recreational Vehicles
A Division of Triple E Canada Ltd.

P: 204 325 4361
F: 204 325 5241

301 Roblin Blvd.
P.O. Box 1230
Winkler, Manitoba CA
R6W 4C4

U.S. Mailing:
P.O. Box 68
Walhalla, ND 58282

LEISUREVANS.COM
TRIPLEERV.COM

«Owner_Name»
«Address1»
«Address2»
«Address3», «Prov» «Postal_Code»

«Unit», VIN #«VIN»
Coach Serial #«Serial»

Subject: Incorrect 30 Amp 120V Electrical Wiring Schematic –
Supplement Owner Manual
Affects certain 2023 Wonder W24RTB motorhomes

The incorrect 30 Amp 120V electrical wiring schematic was printed in the supplement owner manual for the W24RTB model.

Correction:

Affix the enclosed overlay label in section 3-2 or the 16th page in the supplement owner manual for the 2023 Wonder W24RTB. When completed or if you have any questions contact Leisure Travel Vans at recalls@tripleerv.com

Thank you for your anticipated support in correcting this concern. We sincerely apologize for creating this inconvenience.

Sincerely,

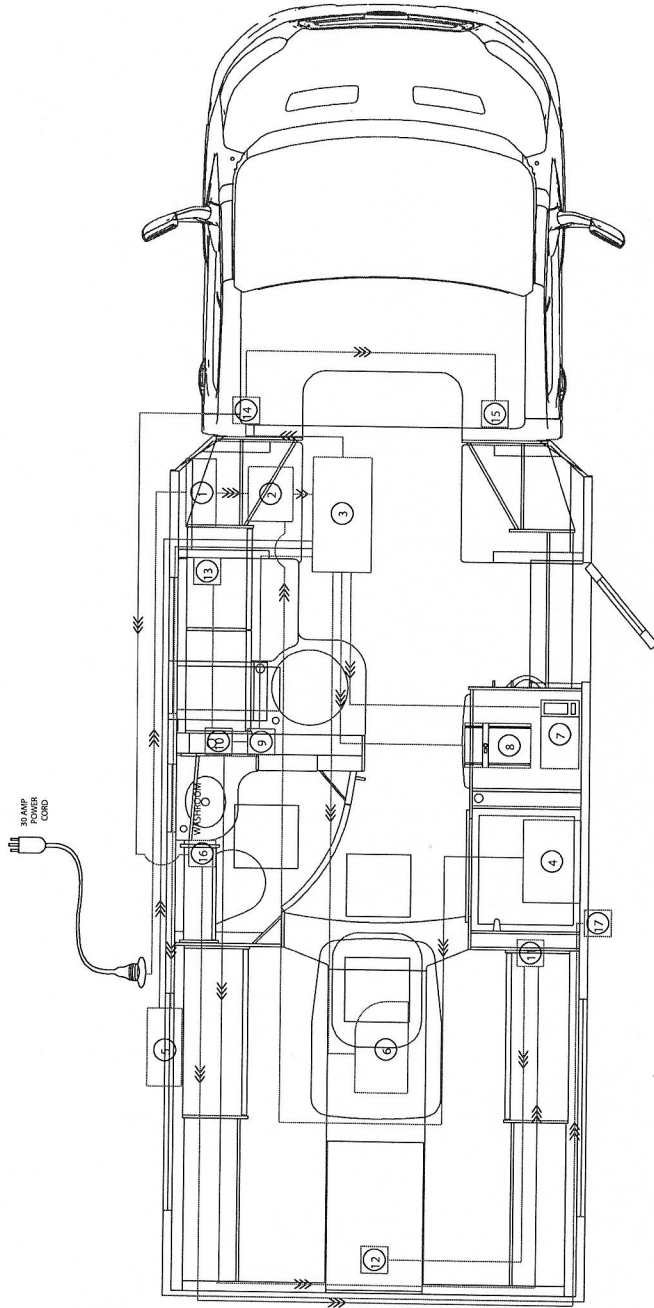
Brad Wall
Customer Service / Warranty Manager

BW/wcw

Enclosure

1 – Overlay label wiring schematic W24RTB

120 VOLT ELECTRICAL REFERENCE



W24RTB 30 AMP 120V ELECTRICAL WIRING SCHEMATIC

PLEASE REFER TO BREAKER PANEL LABELS FOR EXACT LAYOUT

- | | | |
|-------------------------|----------------------------------|---------------------------------|
| ① Surge Protector | ⑧ Fridge | ⑮ Dinette Pass. Side Receptacle |
| ② Transfer Switch | ⑨ Galley Receptacle | ⑯ Washroom Receptacle |
| ③ AC Distribution Panel | ⑩ Front TV | ⑰ Exterior Receptacle |
| ④ Generator | ⑪ Bedroom TV | |
| ⑤ Inverter/Charger | ⑫ Bedroom Receptacle | |
| ⑥ Air Conditioner | ⑬ Entertainment Receptacles | |
| ⑦ Microwave | ⑭ Dinette Driver Side Receptacle | |

Chassis VIN
1FDRU6PG8NKA28766
1FDRU8PG4NKA57371
1FDRU8PG5NKA57072
1FDRU8PGXNKA56435
1FDRU8PG0NKA56461
1FDRU8PGXNKA56080
1FDRU8PG5NKA56925
1FDRU8PG0NKA56086
1FDRU8PG5NKA57394
1FDRU6PGXNKA28672
1FDRU8PG4NKA44670
1FDRU8PG9NKA81259
1FDRU8PG4NKA28789
1FDRU8PG6NKA81414
1FDRU8PG5NKA82229
1FDRU8PG0NKA43631
1FDRU8PG4NKA60142
1FDRU8PG2NKA28631
1FDRU8PG3NKA59869
1FDRU8PG1NKA60745
1FDRU8PG9PKA29391
1FDRU8PG8PKA35179
1FDRU6PG5PKA05531
1FDRU8PGXPKA05553
1FDRU6PG2PKA05325
1FDRU6PG9PKA07587
1FDRU6PG4PKA05374
1FDRU6PG2PKA09407
1FDRU6PG2PKA35361