

JLRTB02052NAS2  
**TECHNICAL BULLETIN**  
30 JAN 2023



© Jaguar Land Rover North America, LLC

NOTE: The information in Technical Bulletins is intended for use by trained, professional Technicians with the knowledge, tools, and equipment required to do the job properly and safely. It informs these Technicians of conditions that may occur on some vehicles, or provides information that could assist in proper vehicle service. The procedures should not be performed by 'do-it-yourselfers'. If you are not a Retailer, do not assume that a condition described affects your vehicle. Contact an authorized Land Rover service facility to determine whether this bulletin applies to a specific vehicle.

INFORMATION

---

This bulletin supersedes TSB JLRTB02052NAS1/2020 dated 16 SEP 2020, which should either be destroyed or clearly marked to show it is no longer valid (e.g. with a line across the page). Only refer to the electronic version of this Technical Bulletin in TOPIx.

Changes are highlighted in blue

---

SECTION:

501-03

---

SUBJECT/CONCERN:

Rear Doors Difficult To Open

---

AFFECTED VEHICLE RANGE:

MODEL:	MODEL YEAR:	VIN:	ASSEMBLY PLANT:	APPLICABILITY:
Defender (LE)	2020 Onwards	000431 Onwards	Nitra (Slovakia)	5-Door

---

**MARKETS:**NORTH AMERICA

---

**CONDITION SUMMARY:****SITUATION:**

When opening either of the rear doors, the door seal contacts the rear quarter window and makes opening the doors more difficult and sometimes noisy.

**CAUSE:**

C-pillar exterior finisher trim to rear quarter window alignment incorrect.

**ACTION:**

Follow the instructions below.

---

**PARTS:****NOTE:**

An allowance equivalent to £10.00 has been allocated to locally source 3M Double sided tape 4229P - 5 mm wide - 3 m roll (or equivalent). 1 role of 3M double side tape will repair a maximum of 3 vehicles.

PART NUMBER	DESCRIPTION	QUANTITY
LR132185	C-Pillar finisher trim - Left	1
LR132182	C-Pillar finisher trim - Right	1
ZZZ001	3M Double sided tape 4229P - 5 mm wide - 3 m roll (or equivalent)	£10.00

**WARRANTY:****NOTE:**

\* When submitting your Warranty claim within the Warranty portal, use the Condition Code list shown to select the Condition Code which best describes the vehicle defect.

**NOTES:**

- Repair procedures are under constant review, and therefore times are subject to change; those quoted here must be taken as guidance only. Use TOPIx to obtain the latest repair time.
- The JLR claims submission system requires the use of causal part numbers. Labor only claims must show the causal part number with a quantity of zero.

DESCRIPTION	SRO	TIME (HOURS)	CONDITION CODE	CAUSAL PART
JLRTB02052 - Rear door alignment - Single	99.01.21	0.2	*	LR132185/LR132182
JLRTB02052 - Rear door alignment - Pair	99.01.22	0.3	*	LR132185/LR132182
JLRTB02052 - C-pillar finisher trim - Single	99.01.23	0.1	*	LR132185/LR132182
JLRTB02052 - C-pillar finisher trim - Pair	99.01.24	0.2	*	LR132185/LR132182
JLRTB02052 - Rear door seal modification - Single	99.01.91	0.1	*	LR132185/LR132182
JLRTB02052 - Rear door seal modification - Pair	99.01.92	0.2	*	LR132185/LR132182

**NOTE:**

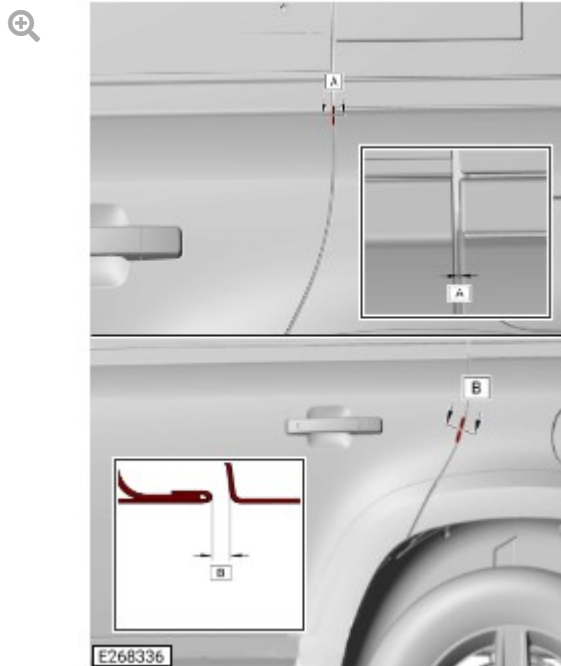
Normal Warranty procedures apply.

## SERVICE INSTRUCTION A - DOOR ALIGNMENT

1.

**NOTE:**

Only check the alignment of the rear doors that are difficult to open.



Check the alignment of the rear door(s) in the areas shown in the illustration.

- If the rear door alignment is within tolerance, continue to Service Instruction B.
- If the rear door alignment is out of tolerance, continue to the next step.

SECTION	DESCRIPTION	GAP	PROFILE
A	Rear door to rear quarter	N/A	0.0 ± 0.5 mm
B	Rear door to rear quarter	3.5 ± 0.7 mm	0.0 ± 0.7 mm

2.

**NOTE:**

Only adjust the rear doors that are out of alignment tolerance.

Adjust the rear door(s) to be within tolerance (see TOPIx Workshop Manual section 501-26: Body Repairs: Vehicle Specific Information and Tolerance Checks - General Procedures - Rear Door Alignment).

3. Check the operation of the rear door(s).
  - If the door is no longer difficult to open, do not continue with this technical bulletin.
  - If the door is still difficult to open, continue to Service Instruction B.

#### SERVICE INSTRUCTION B - DOOR SEAL MODIFICATION

##### NOTE:

Only complete the following steps for doors that were not repaired after completing Service Instruction A.

1. Open the rear door that is difficult to open.

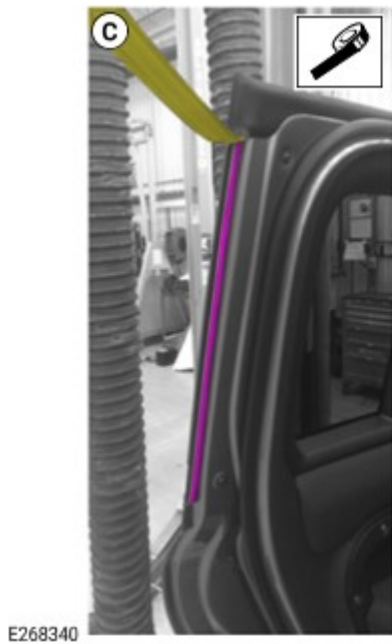
2.



**(A)** Reposition the section of rear door seal shown in the illustration.

**(B)** Make sure the area highlighted in the illustration is clean, dry and free from contamination.

3.



**(C)** Apply the double sided adhesive tape along the seal path on the door frame, as shown in illustration 'C'. Do not remove the protective backing from the double sided adhesive tape at this stage.

**(D)** Install the section of rear door seal removed during step 2.

4.



**(E)** With the rear door seal installed, remove the protective backing from the double sided adhesive tape.

**(F)** Apply firm pressure to the rear door seal to make sure it is adhered to the double sided adhesive tape.

5. Repeat steps 1 to 4 for the other door, if required.
- 
6. Check the operation of the rear door(s).
    - If the door is no longer difficult to open, do not continue with this technical bulletin.
    - If the door is still difficult to open, continue to Service Instruction C.

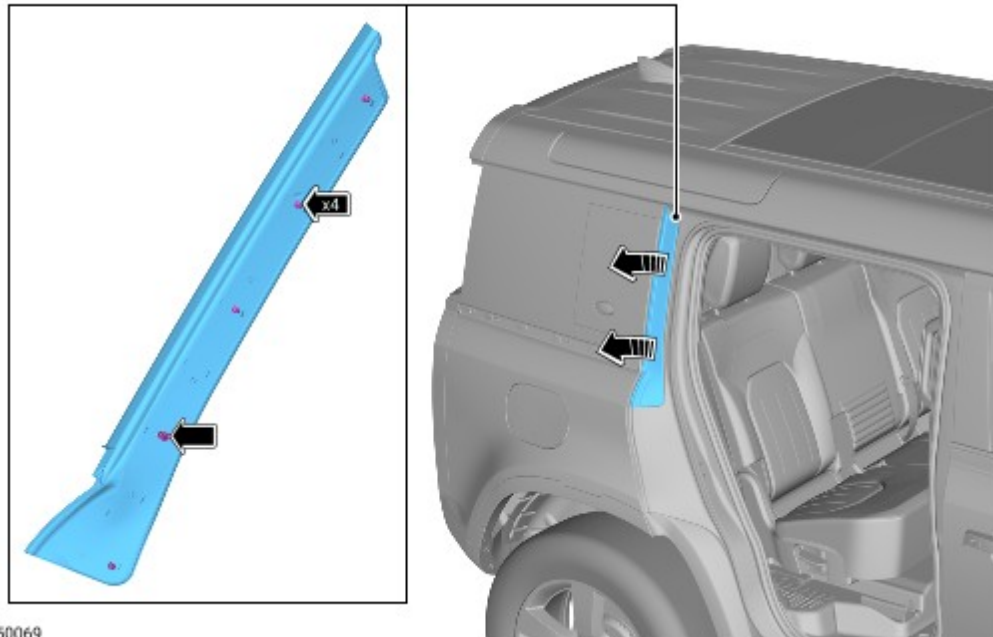
#### SERVICE INSTRUCTION C - RENEW C-PILLAR EXTERIOR FINISHER TRIM

##### NOTE:

Only complete the following steps for doors that were not repaired after completing Service Instruction B.

1. Open the rear door that is still difficult to open.

2.

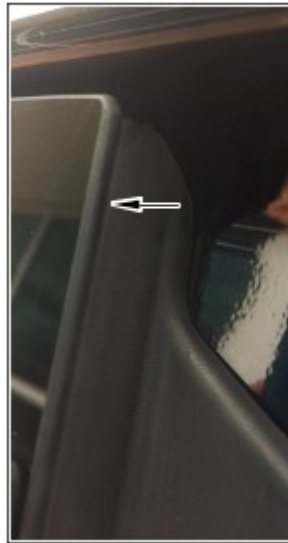


E250069

Remove and discard the C-pillar exterior finisher trim.

- Clean the area behind the C-pillar exterior finisher trim.

3.



E268337



Install the new C-pillar exterior finisher trim.

- Remove the adhesive tape backing.
- **Make sure the C-pillar exterior finisher trim protrudes 1-1.5 mm away from the rear quarter window, as shown in the illustration, before fully securing.**  
The image with the **RED 'X'** shows the C-pillar exterior finisher trim installed incorrectly behind the rear quarter window.  
The image with the **GREEN '✓'** shows the C-pillar exterior finisher trim installed correctly with a 1-1.5 mm protrusion from the rear quarter window.

4. Repeat steps 1 to 3 for the other door, if required.