



Technical Service Bulletin

SUBJECT:		No: TSB-23-42A-001	
WINDOW GLASS RUNCHANNEL AND DOOR OPENING WEATHERSTRIP - SERVICE MANUAL REVISION		DATE: January 2023	
		MODEL: See Below	
CIRCULATE TO:	<input type="checkbox"/> GENERAL MANAGER	<input checked="" type="checkbox"/> PARTS MANAGER	<input checked="" type="checkbox"/> TECHNICIAN
<input checked="" type="checkbox"/> SERVICE ADVISOR	<input checked="" type="checkbox"/> SERVICE MANAGER	<input checked="" type="checkbox"/> WARRANTY PROCESSOR	<input type="checkbox"/> SALES MANAGER

PURPOSE

This TSB provides correction and supplemental information for the Window Glass Runchannel and Door Opening Weatherstrip.

AFFECTED VEHICLES

- 2018-2020 and 2022 Eclipse Cross

AFFECTED SERVICE MANUAL

- 2018-2020 and 2022 Eclipse Cross Service Manual, Group 42-Body

PROCEDURE

Please use the chart below and replace the indicated pages of the affected Service Manual, Group 42A - Body, Window Glass Runchannel and Door Opening Weather Strip, Removal and Installation.

Applicable manual	Pub. No.	Applicable title	Contents
2018 ECLIPSE CROSS Service Manual	MSCD-020B-2018	BODY └ WINDOW GLASS RUNCHANNEL AND DOOR OPENING WEATHERSTRIP └ REMOVAL AND INSTALLATION	Attached sheet 1
2019 ECLIPSE CROSS Service Manual	MSCD-020B-2019		Attached sheet 2
2020 ECLIPSE CROSS Service Manual	MSCD-020B-2020		Attached sheet 3
2022 ECLIPSE CROSS Service Manual	MSCD-020B-2022		

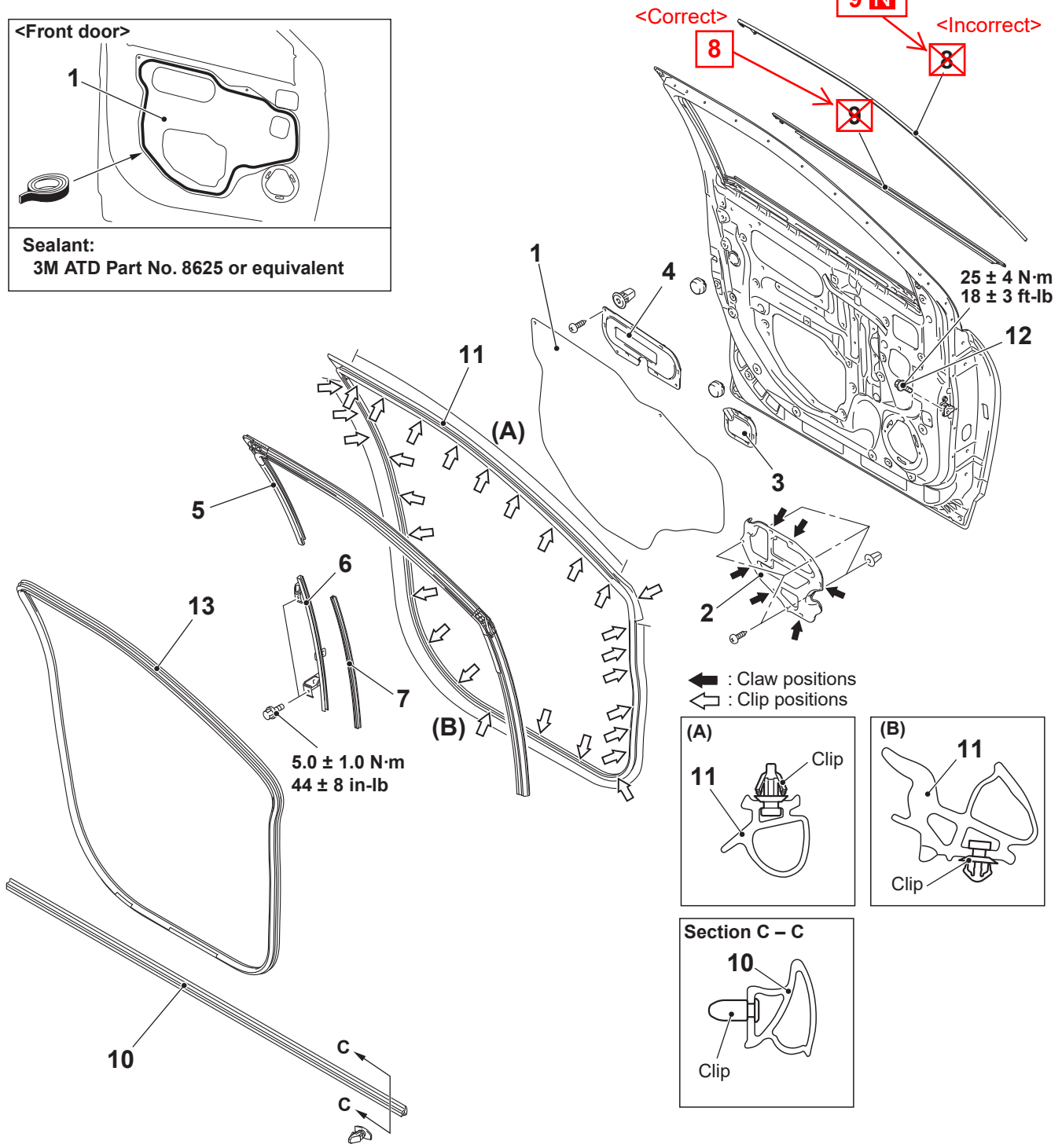
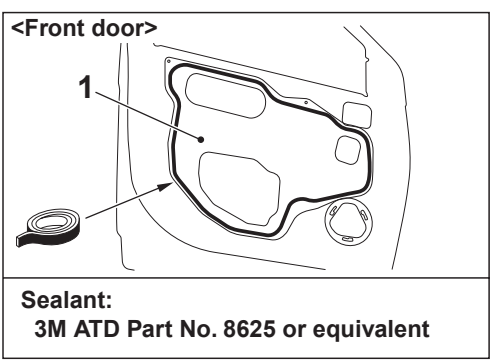


Copyright 2023, Mitsubishi Motors North America, Inc.

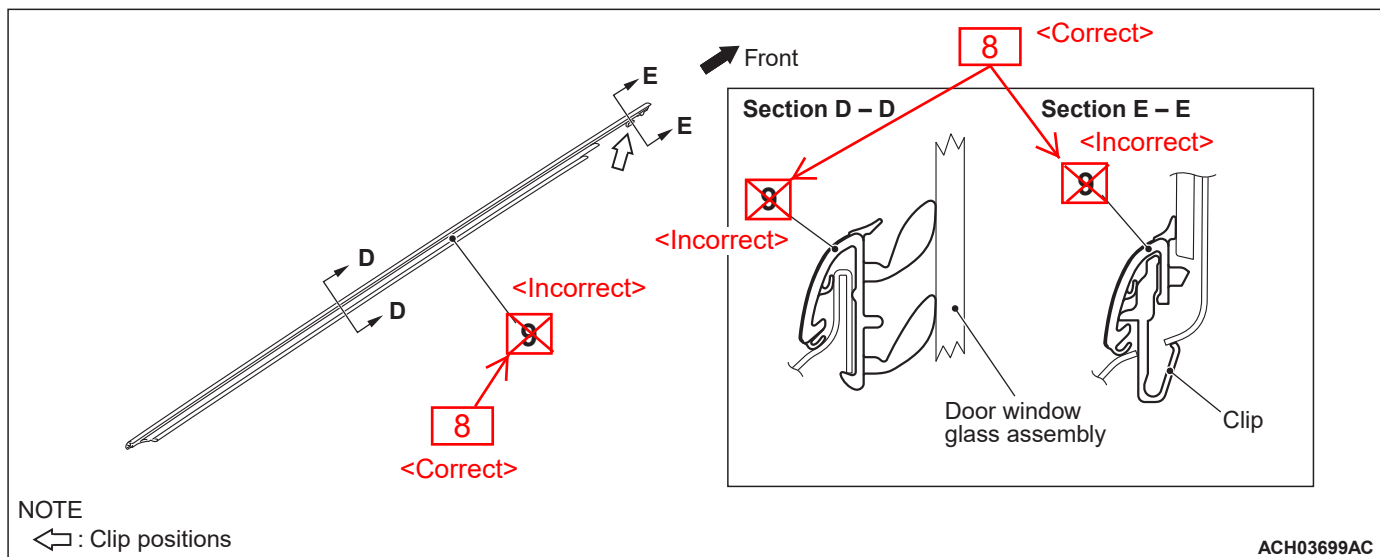
The information contained in this bulletin is subject to change. For the latest version of this document, go to the Mitsubishi Dealer Link, MEDIC, or the Mitsubishi Service Information website (www.mitsubishitechinfo.com).

WINDOW GLASS RUNCHANNEL AND DOOR OPENING WEATHERSTRIP REMOVAL AND INSTALLATION

M1423003102520



ACH04123AD



- Door trim assembly (Refer to GROUP 52A, Door Trim P.52A-37)
- >>B<< 1. Waterproof film
- Door trim assembly (Refer to GROUP 52A, Door Trim P.52A-37)
- >>B<< 1. Waterproof film
- 2. Door speaker bracket
- Door trim assembly (Refer to GROUP 52A, Door Trim P.52A-37)
- >>B<< 1. Waterproof film
- 3. Door working hole cover front
- 4. Door working hole cover rear
- 5. Door window glass runchannel
- Door trim assembly (Refer to GROUP 52A, Door Trim P.52A-37)
- >>B<< 1. Waterproof film

Door window glass runchannel rear removal (Continued)

2. Door speaker bracket
3. Door working hole cover front
4. Door working hole cover rear
6. Door window rear lower sash
7. Door window glass runchannel rear

Door sash molding removal steps

8. Door sash molding

Door beltline molding removal steps

9. Door beltline molding

Door opening weatherstrip lower removal steps

10. Door opening weatherstrip lower

Door opening weatherstrip outer removal steps

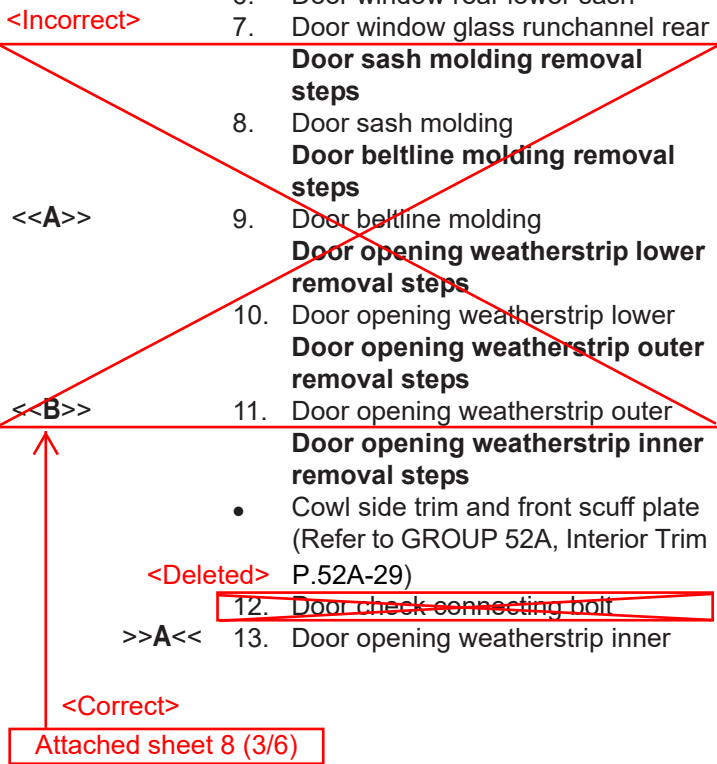
11. Door opening weatherstrip outer

Door opening weatherstrip inner removal steps

- Cowl side trim and front scuff plate (Refer to GROUP 52A, Interior Trim P.52A-29)

<Deleted> 12. Door check connecting bolt

- >>A<< 13. Door opening weatherstrip inner



Attached sheet 8 (3/6)

<Correct>

<<A>>

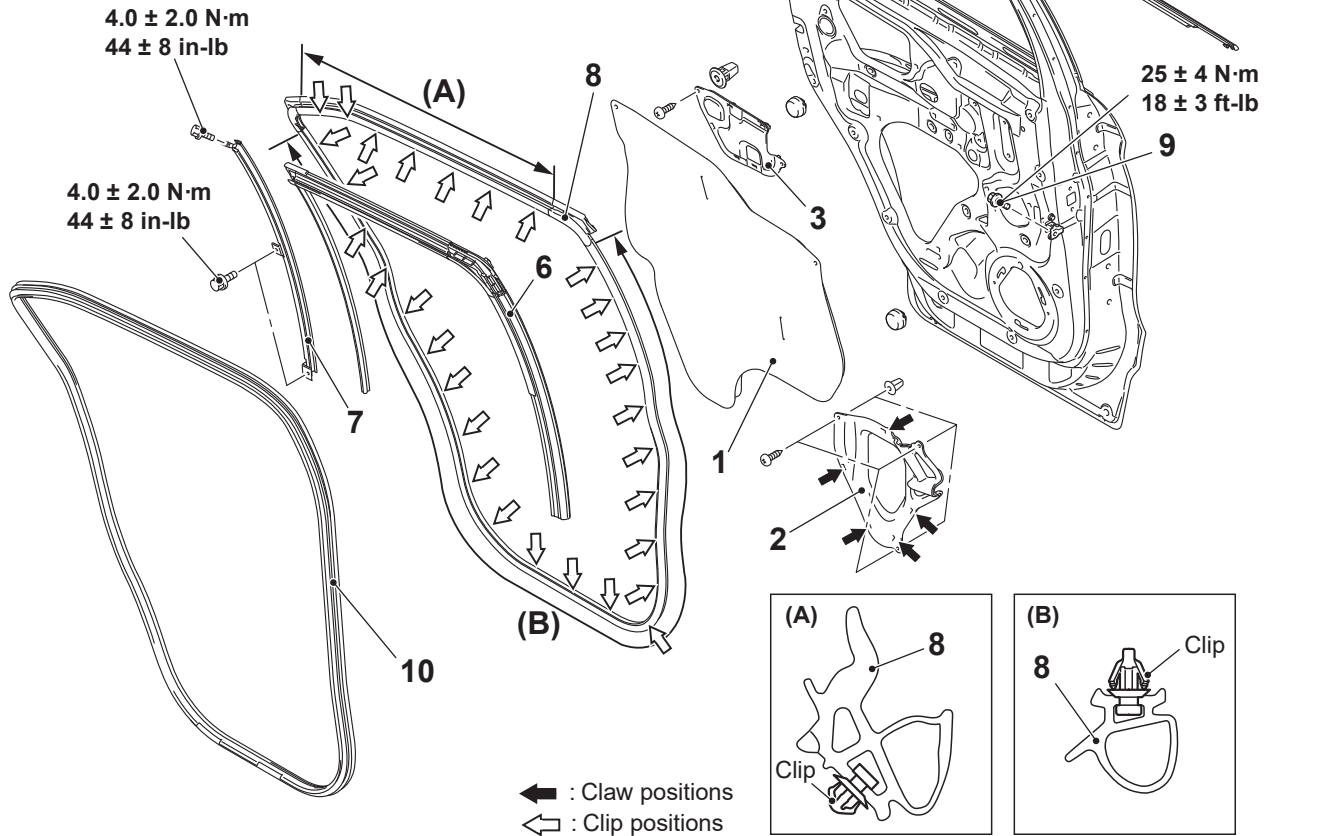
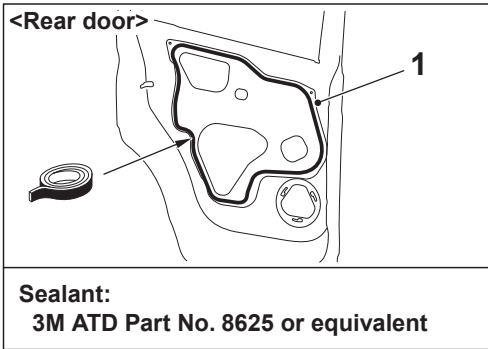
- **Door sash molding removal steps**
- Door window glass assembly
<Front door> (Refer to P.42A-74)
- Front door delta garnish (Refer to GROUP 51, Delta Garnish/Door Center Pillar Garnish/Quarter Garnish P.51-16)
- 8. Door beltline molding
- Front door delta garnish (Refer to GROUP 51, Delta Garnish/Door Center Pillar Garnish/Quarter Garnish P.51-16)
- J. **Door opening weatherstrip lower removal steps**

- 10. Door opening weatherstrip lower
- Door opening weatherstrip outer removal steps**
- Front door delta garnish (Refer to GROUP 51, Delta Garnish/Door Center Pillar Garnish/Quarter Garnish P.51-16)
- 12. Door check connecting bolt
- 11. Door opening weatherstrip outer

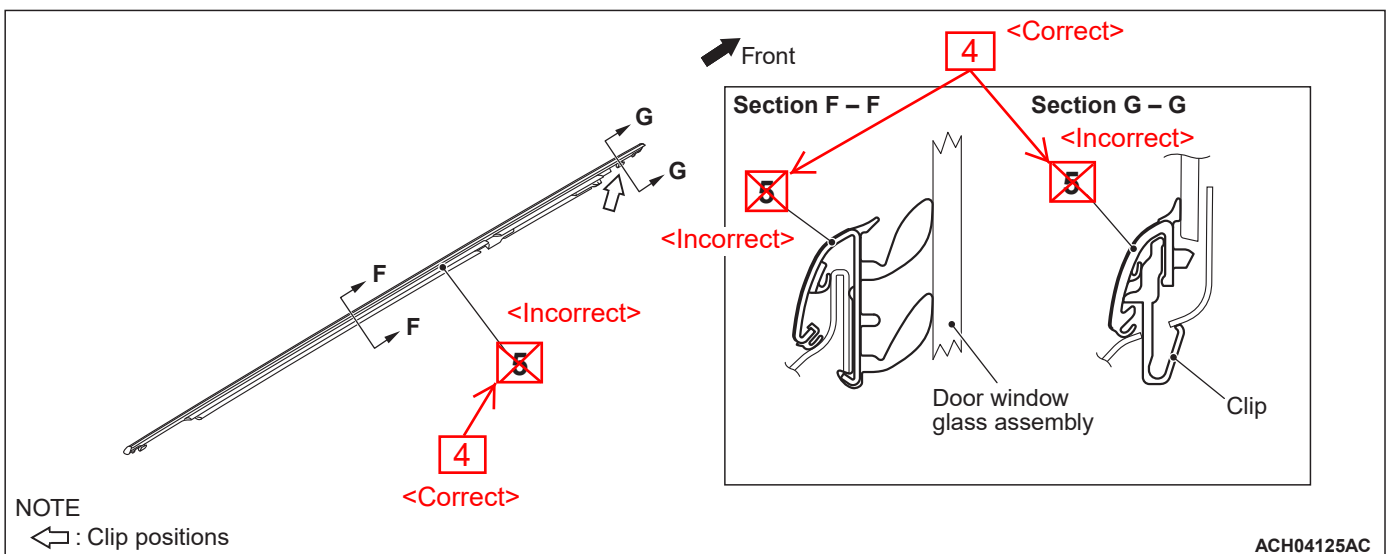
<>

BODY DOOR

42A-85



ACH04367AC



ACH04125AC

TSB Revision

<Incorrect>

<p>Waterproof film removal steps</p> <ul style="list-style-type: none"> Door trim assembly (Refer to GROUP 52A, Door Trim P.52A-37) <p>>>B<< 1. Waterproof film</p> <p>Door speaker bracket removal steps</p> <ul style="list-style-type: none"> Door trim assembly (Refer to GROUP 52A, Door Trim P.52A-37) <p>>>B<< 1. Waterproof film 2. Door speaker bracket</p> <p>Door working hole cover removal</p> <ul style="list-style-type: none"> Door trim assembly (Refer to GROUP 52A, Door Trim P.52A-37) <p>>>B<< 1. Waterproof film 3. Door working hole cover</p> <p>Door sash molding removal steps</p> <p>4. Door sash molding</p> <p>Door beltline molding removal steps</p> <p><<A>> 5. Door beltline molding</p>	<p>>>B<< 1. Waterproof film 2. Door speaker bracket 3. Door working hole cover 5. Door window beltline molding 6. Door window glass runchannel 7. Door window rear lower sash</p> <p><></p> <p>8. Door opening weatherstrip outer Door opening weatherstrip inner removal steps</p> <ul style="list-style-type: none"> Cowl side trim and front scuff plate (Refer to GROUP 52A, Interior Trim P.52A-29) <p>9. Door check connecting bolt 10. Door opening weatherstrip inner</p>	<p>Door window glass runchannel removal</p> <p>6. Door window glass runchannel</p> <p>Door window glass runchannel sash removal</p> <ul style="list-style-type: none"> Door trim assembly (Refer to GROUP 52A, Door Trim P.52A-37) <p>>>B<< 1. Waterproof film 2. Door speaker bracket 3. Door working hole cover 5. Door window beltline molding 6. Door window glass runchannel 7. Door window rear lower sash</p> <p>Door opening weatherstrip outer removal steps</p> <p>8. Door opening weatherstrip outer</p> <p>Door opening weatherstrip inner removal steps</p> <ul style="list-style-type: none"> Cowl side trim and front scuff plate (Refer to GROUP 52A, Interior Trim P.52A-29) <p>9. Door check connecting bolt 10. Door opening weatherstrip inner</p>
---	--	--

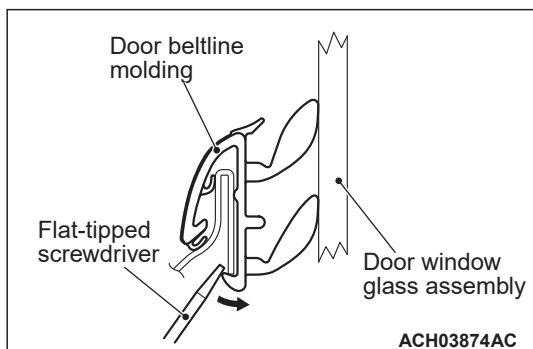
<Correct>

Attached sheet 8 (6/6)

REMOVAL SERVICE POINTS

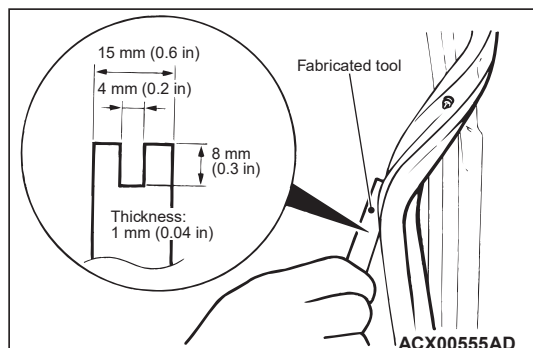
<<A>> DOOR BELTLINE MOLDING REMOVAL

Insert a flat-tipped screwdriver as shown, and pry it in the direction shown to remove the door beltline molding.



<> DOOR OPENING WEATHERSTRIP OUTER REMOVAL

Make the tool as shown in the figure, and remove the weatherstrip from the door panel.

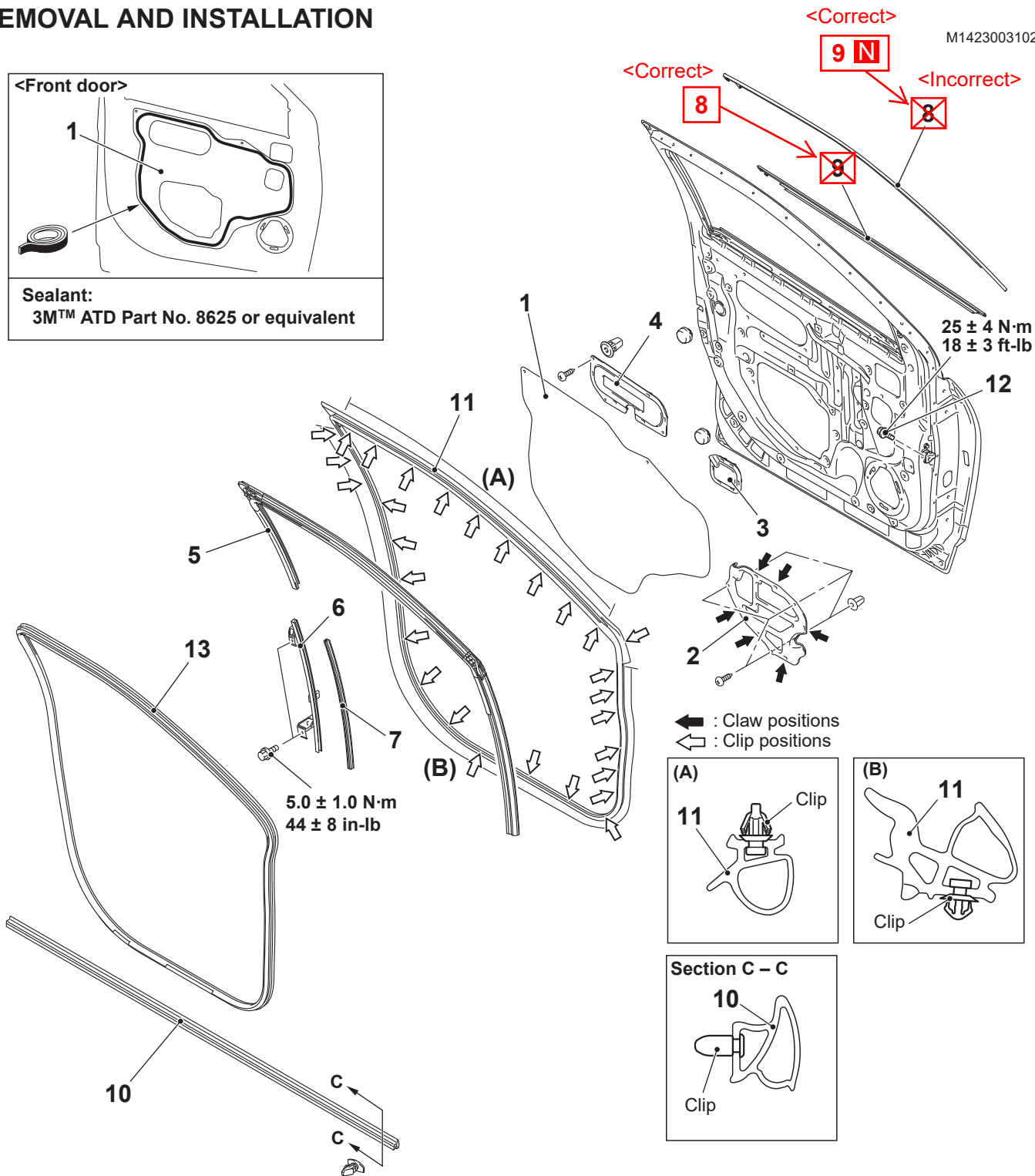
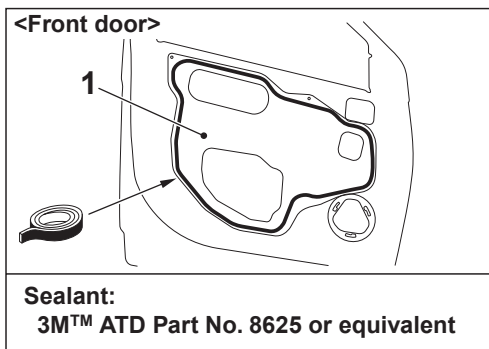


<Correct>

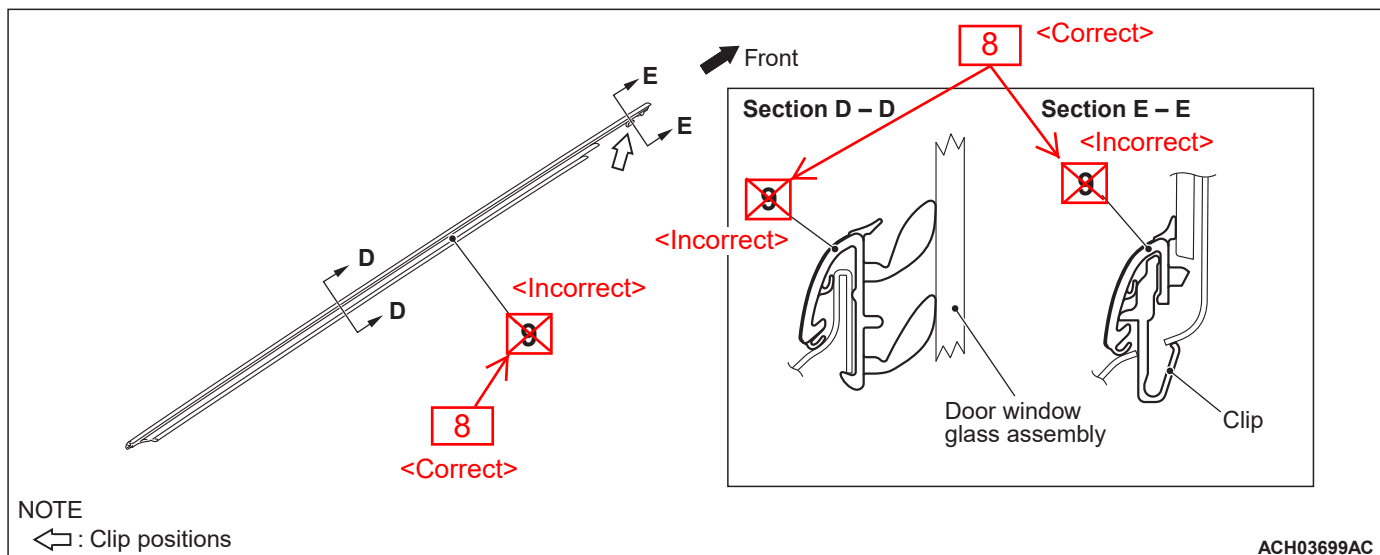
	<ul style="list-style-type: none"> • Door trim assembly (Refer to GROUP 52A, Door Trim P.52A-37) 		<ul style="list-style-type: none"> • Door trim assembly (Refer to GROUP 52A, Door Trim P.52A-37) 		<ul style="list-style-type: none"> • Door trim assembly (Refer to GROUP 52A, Door Trim P.52A-37)
>>B<<	1. Waterproof film			>>B<<	1. Waterproof film
	<ul style="list-style-type: none"> • Door trim assembly (Refer to GROUP 52A, Door Trim P.52A-37) 				2. Door speaker bracket
>>B<<	1. Waterproof film				3. Door working hole cover
	2. Door speaker bracket				4. Door beltline molding
	<ul style="list-style-type: none"> • Door trim assembly (Refer to GROUP 52A, Door Trim P.52A-37) 				6. Door window glass runchannel
>>B<<	1. Waterproof film				7. Door window rear lower sash
	3. Door working hole cover				<ul style="list-style-type: none"> • Door trim assembly (Refer to GROUP 52A, Door Trim P.52A-37)
	<ul style="list-style-type: none"> • Door trim assembly (Refer to GROUP 52A, Door Trim P.52A-37) 				9. Door check connecting bolt
>>B<<	1. Waterproof film				8. Door opening weatherstrip outer
	3. Door working hole cover				<ul style="list-style-type: none"> • Door trim assembly (Refer to GROUP 52A, Door Trim P.52A-37)
	<ul style="list-style-type: none"> • Door trim assembly (Refer to GROUP 52A, Door Trim P.52A-37) 				<ul style="list-style-type: none"> • Door trim assembly (Refer to GROUP 52A, Door Trim P.52A-37)
<<A>>	4. Door beltline molding				10. Door opening weatherstrip inner
	<ul style="list-style-type: none"> • Rear door center pillar garnish (Refer to GROUP 51, Delta Garnish/Door Center Pillar Garnish/Quarter Garnish P.51-16) 				
	<ul style="list-style-type: none"> • Rear door garnish rear (Refer to GROUP 51, Delta Garnish/Door Center Pillar Garnish/Quarter Garnish P.51-16) 				
	5. Door sash molding				

WINDOW GLASS RUNCHANNEL AND DOOR OPENING WEATHERSTRIP REMOVAL AND INSTALLATION

M1423003102586



ACH04123AF



ACH03699AC

- Door trim assembly (Refer to GROUP 52A, Door Trim P.52A-40)
- >>B<< 1. Waterproof film
- Door trim assembly (Refer to GROUP 52A, Door Trim P.52A-40)
- >>B<< 1. Waterproof film
- 2. Door speaker bracket
- Door trim assembly (Refer to GROUP 52A, Door Trim P.52A-40)
- >>B<< 1. Waterproof film
- 3. Door working hole cover front
- 4. Door working hole cover rear
- Door trim assembly (Refer to GROUP 52A, Door Trim P.52A-40)
- >>B<< 1. Waterproof film
- 5. Door window glass runchannel
- Door trim assembly (Refer to GROUP 52A, Door Trim P.52A-40)
- >>B<< 1. Waterproof film

Door window glass runchannel rear removal (Continued)

- 2. Door speaker bracket
- 3. Door working hole cover front
- 4. Door working hole cover rear
- 6. Door window rear lower sash
- 7. Door window glass runchannel rear

X

<A>>

>

<Deleted>

>>A<<

12. Door check connecting bolt

Attached sheet 9 (3/6)

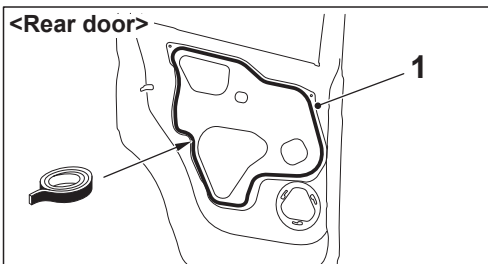
<Correct>

<<A>>

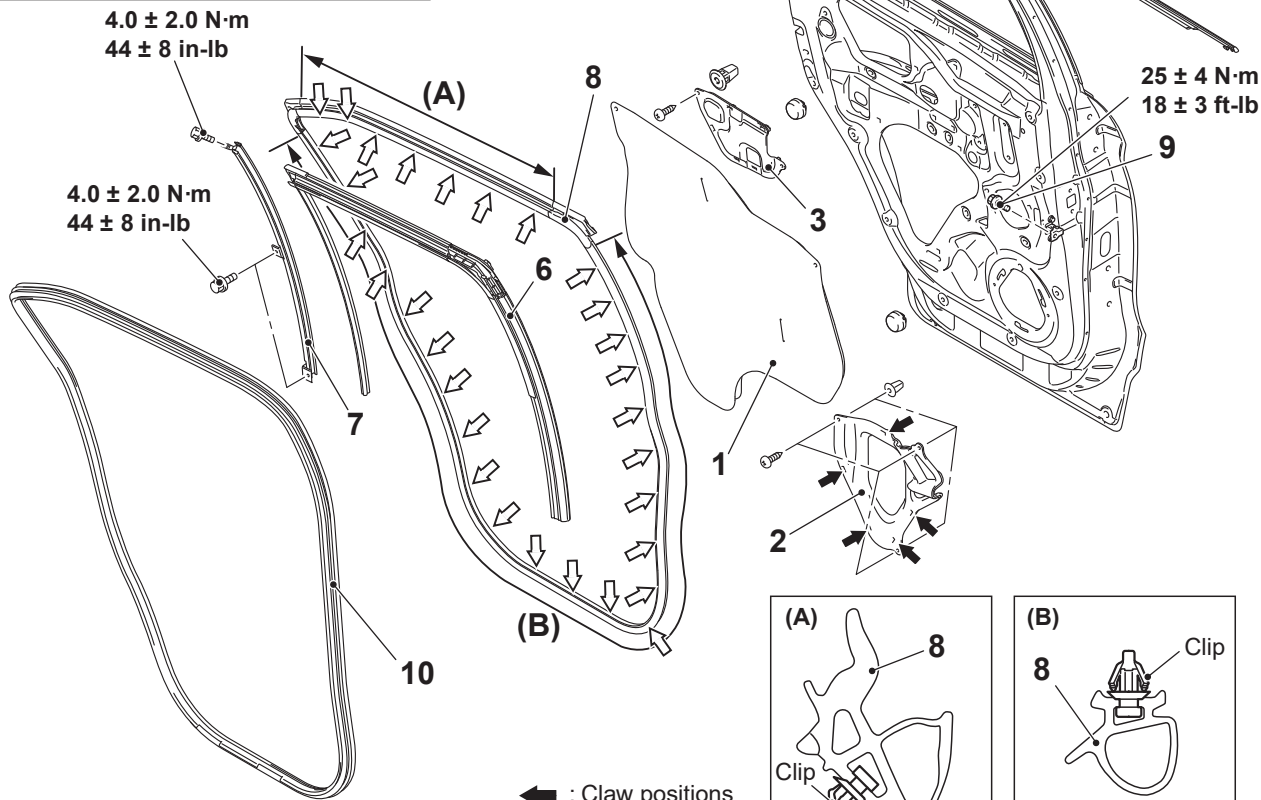
- **Door sash molding removal steps**
- Door window glass assembly
<Front door> (Refer to P.42A-75)
- Front door delta garnish (Refer to GROUP 51, Delta Garnish/Door Center Pillar Garnish/Quarter Garnish P.51-21)
- 8. Door beltline molding
- Front door delta garnish (Refer to GROUP 51, Delta Garnish/Door Center Pillar Garnish/Quarter Garnish P.51-21)
- J. **Door opening weatherstrip lower removal steps**

- 10. Door opening weatherstrip lower
- Door opening weatherstrip outer removal steps**
- Front door delta garnish (Refer to GROUP 51, Delta Garnish/Door Center Pillar Garnish/Quarter Garnish P.51-21)
- 12. Door check connecting bolt
- 11. Door opening weatherstrip outer

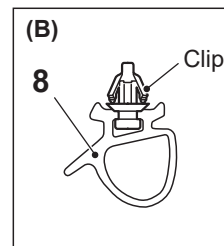
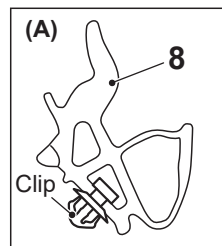
<>



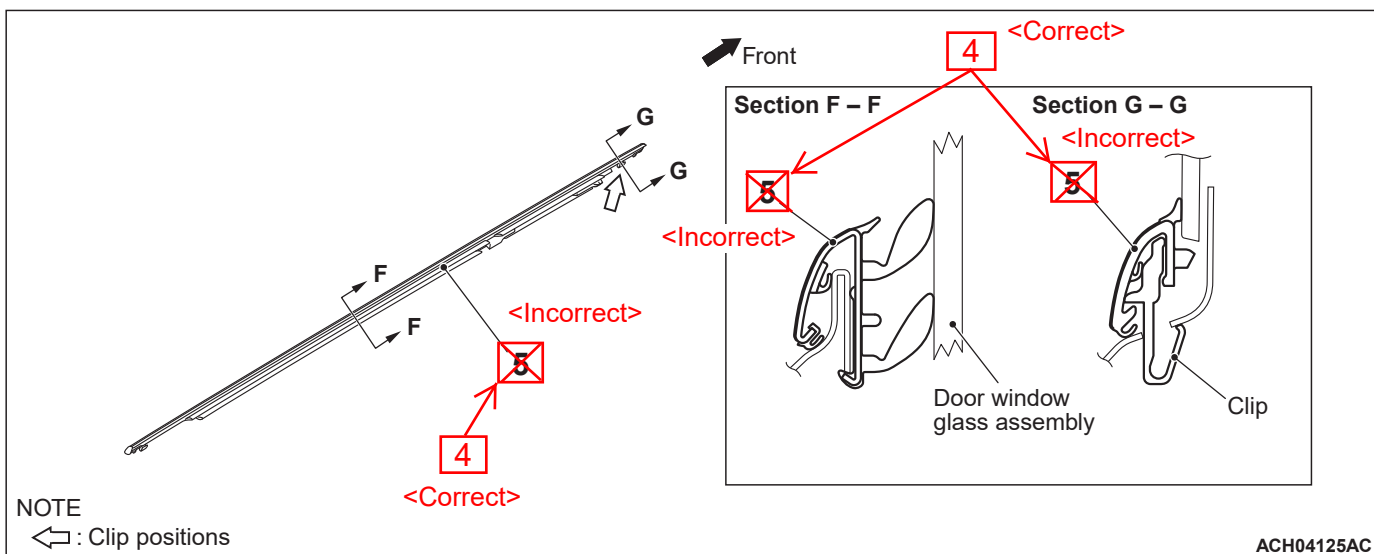
Sealant:
3M™ ATD Part No. 8625 or equivalent



← : Claw positions
⇐ : Clip positions



ACH04367AD



NOTE
⇐ : Clip positions

ACH04125AC

<Incorrect>

<p>Waterproof film removal steps</p> <ul style="list-style-type: none"> Door trim assembly (Refer to GROUP 52A, Door Trim P.52A-40) <p>>>B<< 1. Waterproof film</p> <p>Door speaker bracket removal steps</p> <ul style="list-style-type: none"> Door trim assembly (Refer to GROUP 52A, Door Trim P.52A-40) <p>>>B<< 1. Waterproof film 2. Door speaker bracket</p> <p>Door working hole cover removal</p> <ul style="list-style-type: none"> Door trim assembly (Refer to GROUP 52A, Door Trim P.52A-40) <p>>>B<< 1. Waterproof film 3. Door working hole cover</p> <p>Door sash molding removal steps</p> <p>4. Door sash molding</p> <p>Door beltline molding removal steps</p> <p><<A>> 5. Door beltline molding</p>	<p>>>B<< 1. Waterproof film 2. Door speaker bracket 3. Door working hole cover 5. Door window beltline molding 6. Door window glass runchannel 7. Door window rear lower sash</p> <p><></p> <p>8. Door opening weatherstrip outer Door opening weatherstrip inner removal steps</p> <ul style="list-style-type: none"> Cowl side trim and front scuff plate (Refer to GROUP 52A, Interior Trim P.52A-31) <p>9. Door check connecting bolt 10. Door opening weatherstrip inner</p>	<p>Door window glass runchannel removal</p> <p>6. Door window glass runchannel</p> <p>Door window glass runchannel sash removal</p> <ul style="list-style-type: none"> Door trim assembly (Refer to GROUP 52A, Door Trim P.52A-40) <p>>>B<< 1. Waterproof film 2. Door speaker bracket 3. Door working hole cover 5. Door window beltline molding 6. Door window glass runchannel 7. Door window rear lower sash</p> <p>Door opening weatherstrip outer removal steps</p> <p>8. Door opening weatherstrip outer</p> <p>Door opening weatherstrip inner removal steps</p> <ul style="list-style-type: none"> Cowl side trim and front scuff plate (Refer to GROUP 52A, Interior Trim P.52A-31) <p>9. Door check connecting bolt 10. Door opening weatherstrip inner</p>
---	--	--

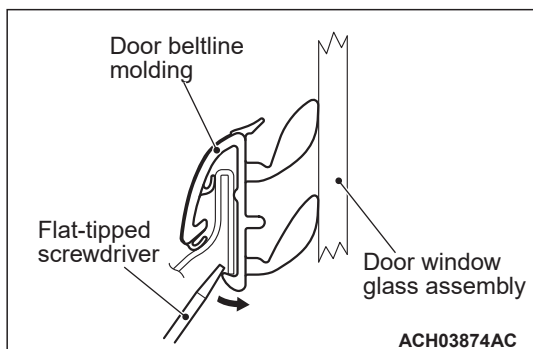
↑ <Correct>

Attached sheet 9 (6/6)

REMOVAL SERVICE POINTS

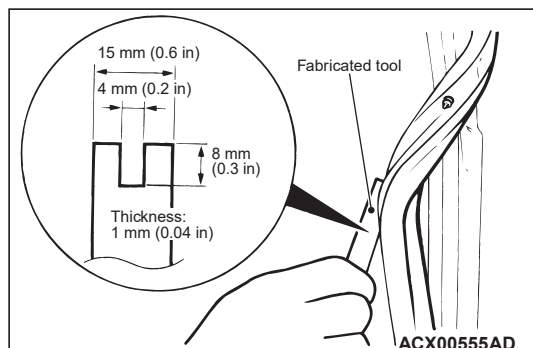
<<A>> DOOR BELTLINE MOLDING REMOVAL

Insert a flat-tipped screwdriver as shown, and pry it in the direction shown to remove the door beltline molding.



<> DOOR OPENING WEATHERSTRIP OUTER REMOVAL

Make the tool as shown in the figure, and remove the weatherstrip from the door panel.



<Correct>

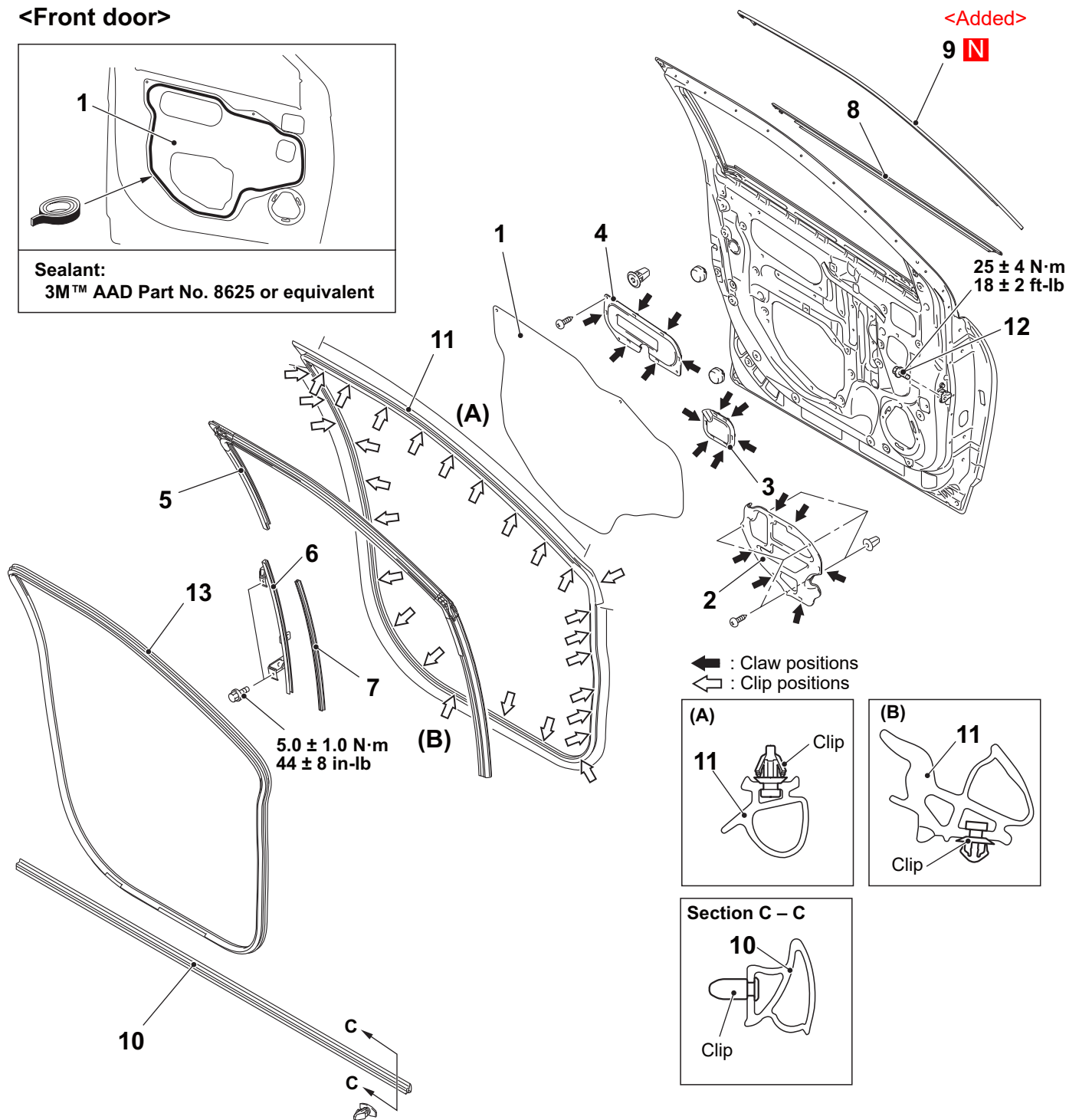
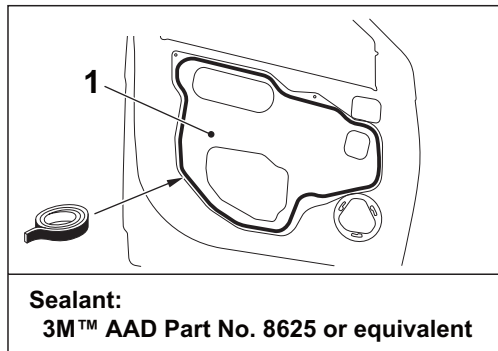
	<ul style="list-style-type: none"> • Door trim assembly (Refer to GROUP 52A, Door Trim P.52A-40) 		<ul style="list-style-type: none"> 6. Door window glass runchannel
>>B<<	1. Waterproof film		<ul style="list-style-type: none"> • Door trim assembly (Refer to GROUP 52A, Door Trim P.52A-40)
	<ul style="list-style-type: none"> • Door trim assembly (Refer to GROUP 52A, Door Trim P.52A-40) 	>>B<<	1. Waterproof film
>>B<<	1. Waterproof film		2. Door speaker bracket
	2. Door speaker bracket		3. Door working hole cover
	<ul style="list-style-type: none"> • Door trim assembly (Refer to GROUP 52A , Door Trim P.52A-40) 		4. Door beltline molding
>>B<<	1. Waterproof film		6. Door window glass runchannel
	3. Door working hole cover		7. Door window rear lower sash
	<ul style="list-style-type: none"> • Door window glass assembly <Rear door> (Refer to P.42A-75) 	<>	<ul style="list-style-type: none"> 9. Door check connecting bolt
<<A>>	4. Door beltline molding		8. Door opening weatherstrip outer
	<ul style="list-style-type: none"> • Rear door center pillar garnish (Refer to GROUP 51, Delta Garnish/Door Center Pillar Garnish/Quarter Garnish P.51-21) 		<ul style="list-style-type: none"> • Cowl side trim and front scuff plate (Refer to GROUP 52A, Interior Trim P.52A-31)
	<ul style="list-style-type: none"> • Rear door garnish rear (Refer to GROUP 51, Delta Garnish/Door Center Pillar Garnish/Quarter Garnish P.51-21) 	>>A<<	10. Door opening weatherstrip inner
	5. Door sash molding		

WINDOW GLASS RUNCHANNEL AND DOOR OPENING WEATHERSTRIP

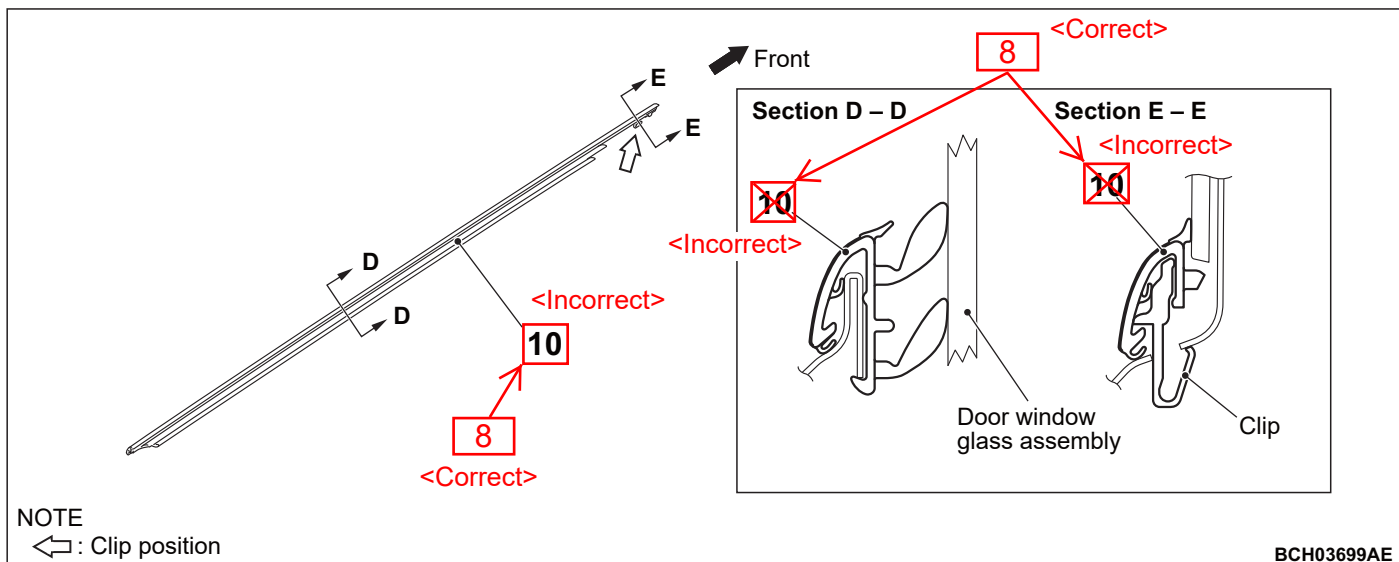
REMOVAL AND INSTALLATION

M14230031A0030

<Front door>

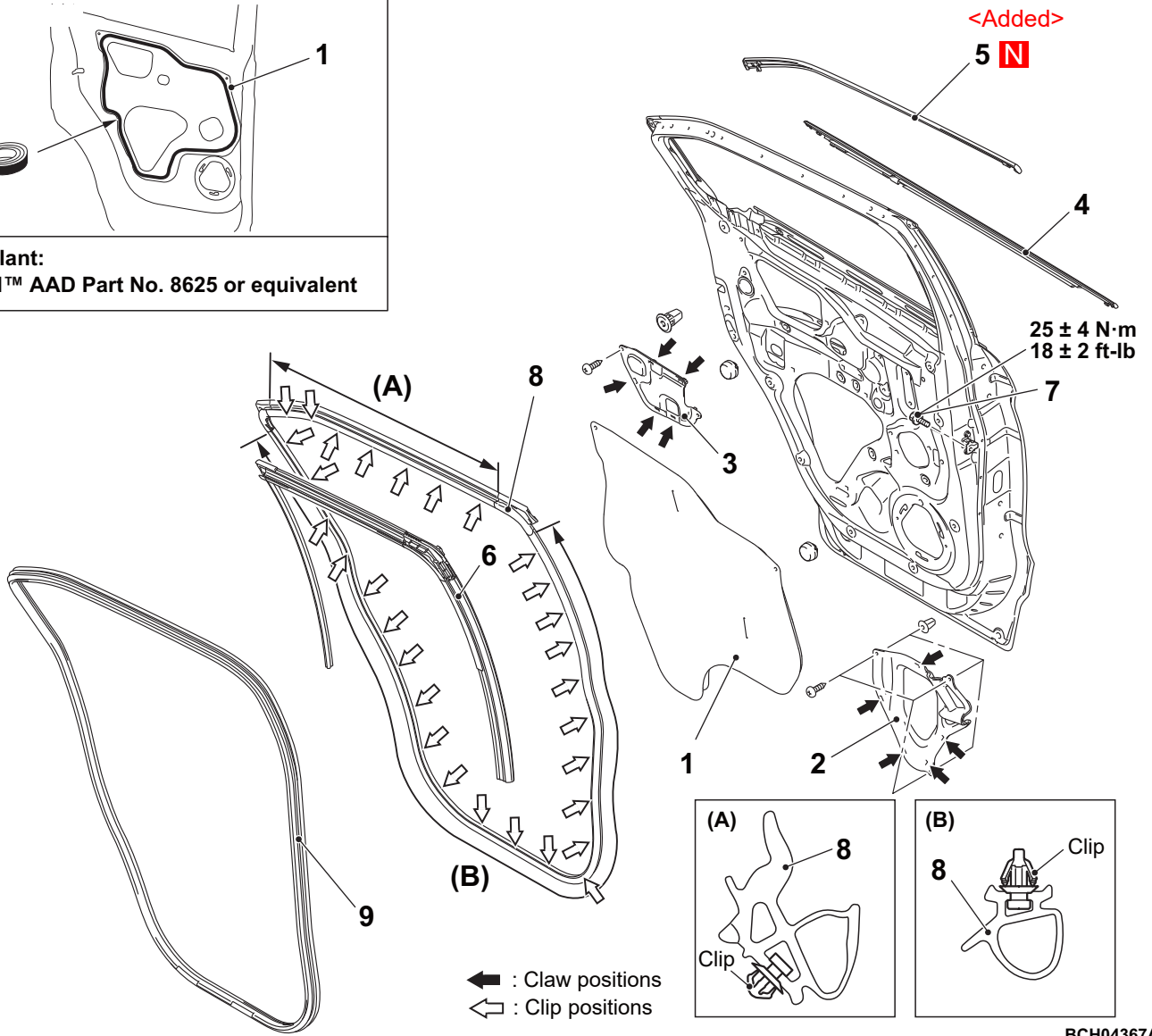
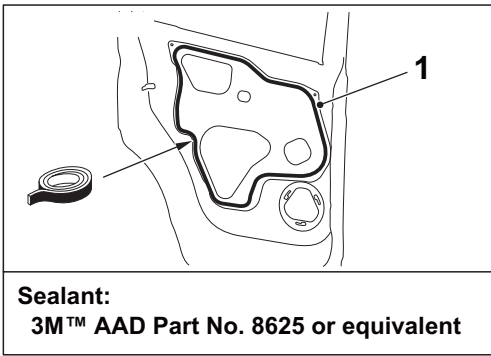


BCH04123AE

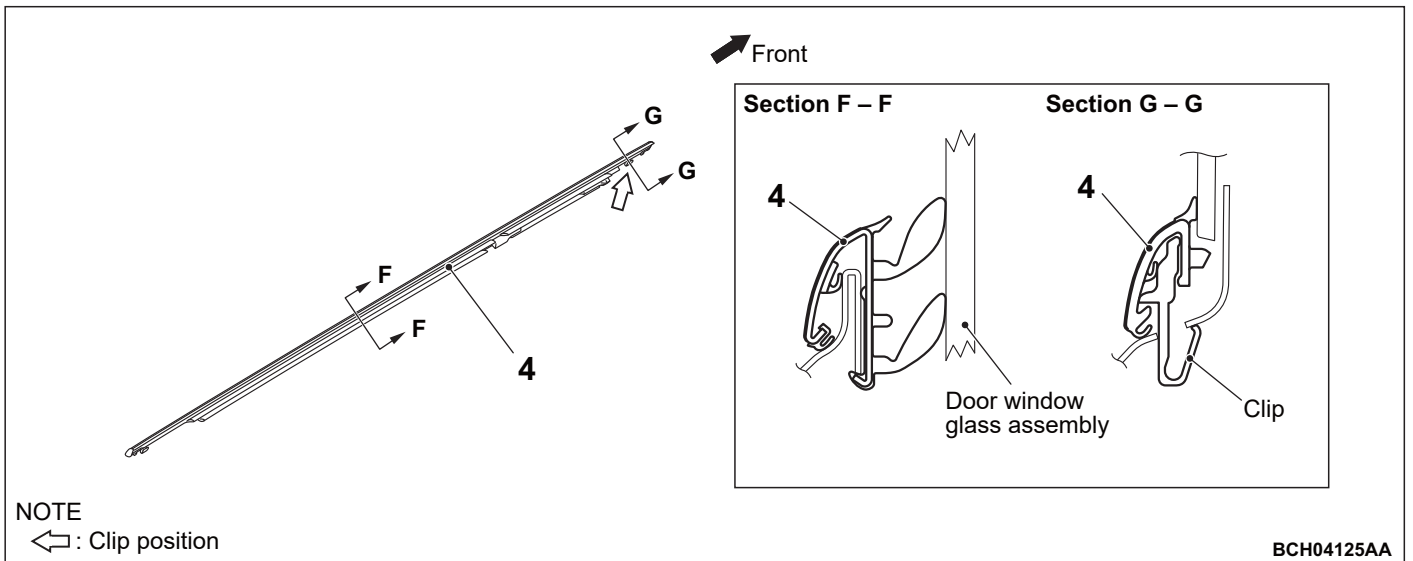


- | | | |
|---|--|--|
| <p>Waterproof film removal steps</p> <ul style="list-style-type: none"> • Door trim assembly (Refer to GROUP 52A, Door Trim P.52A-55) <p>>>B<< 1. Waterproof film</p> <p>Door speaker bracket removal steps</p> <ul style="list-style-type: none"> • Door trim assembly (Refer to GROUP 52A, Door Trim P.52A-55) <p>>>B<< 1. Waterproof film</p> <p>2. Door speaker bracket</p> <p>Door working hole cover front and door working hole cover rear removal steps</p> <ul style="list-style-type: none"> • Door trim assembly (Refer to GROUP 52A, Door Trim P.52A-55) <p>>>B<< 1. Waterproof film</p> <p>3. Door working hole cover front</p> <p>4. Door working hole cover rear</p> <p>Door window glass runchannel removal</p> <p>5. Door window glass runchannel</p> <p>Door window glass runchannel rear removal steps</p> <ul style="list-style-type: none"> • Door trim assembly (Refer to GROUP 52A, Door Trim P.52A-55) <p>>>B<< 1. Waterproof film</p> <p>2. Door speaker bracket</p> <p>3. Door working hole cover front</p> <p>4. Door working hole cover rear</p> <p>6. Door window rear lower sash</p> <p>7. Door window glass runchannel rear</p> | <p><<A>></p> <p>8. Door beltline molding</p> <p>9. Door sash molding</p> <p>Door opening weatherstrip lower removal steps</p> <ul style="list-style-type: none"> • Front door delta garnish (Refer to GROUP 51, Delta Garnish/Door Center Pillar Garnish/Quarter Garnish P.51-33) <p>10. Door opening weatherstrip lower</p> <p>Door opening weatherstrip outer removal steps</p> <ul style="list-style-type: none"> • Front door delta garnish (Refer to GROUP 51, Delta Garnish/Door Center Pillar Garnish/Quarter Garnish P.51-33) <p>11. Door opening weatherstrip outer</p> <p>Door opening weatherstrip inner removal steps</p> <ul style="list-style-type: none"> • Cowl side trim and front scuff plate (Refer to GROUP 52A, Interior Trim P.52A-42) <p>12. Door check connecting bolt</p> <p>>>A<< 13. Door opening weatherstrip inner</p> <p><Added></p> <p>12. Door check connecting bolt</p> <p><Added></p> <ul style="list-style-type: none"> • Front door center pillar garnish (Refer to GROUP 51, Delta Garnish/Door Center Pillar Garnish/Quarter Garnish P.51-33) | <p>Door sash molding removal steps</p> <ul style="list-style-type: none"> • Door window glass assembly <Front door> (Refer to P.42A-127) • Front door delta garnish (Refer to GROUP 51, Delta Garnish/Door Center Pillar Garnish/Quarter Garnish P.51-33) |
|---|--|--|

<Rear door>



BCH04367AE



BCH04125AA

Waterproof film removal steps

- Door trim assembly (Refer to GROUP 52A, Door Trim P.52A-55)

>>B<< 1. Waterproof film

Door speaker bracket removal steps

- Door trim assembly (Refer to GROUP 52A, Door Trim P.52A-55)

>>B<< 1. Waterproof film
2. Door speaker bracket**Door working hole cover removal steps**

- Door trim assembly (Refer to GROUP 52A, Door Trim P.52A-55) <>

>>B<< 1. Waterproof film
3. Door working hole cover**Door sash molding removal steps**

- Door window glass assembly <Rear door> (Refer to P.42A-127)

<<A>> 4. Door beltline molding
• Rear door center pillar garnish (Refer to GROUP 51, Delta Garnish/Door Center Pillar Garnish/Quarter Garnish P.51-33)**Door sash molding removal steps**

- Rear door garnish rear (Refer to GROUP 51, Delta Garnish/Door Center Pillar Garnish/Quarter Garnish P.51-33)

5. Door sash molding

Door window glass runchannel removal6. Door window glass runchannel
Door opening weatherstrip outer removal steps7. Door check connecting bolt
8. Door opening weatherstrip outer**Door opening weatherstrip inner removal steps**

- Cowl side trim and front scuff plate (Refer to GROUP 52A, Interior Trim P.52A-42)

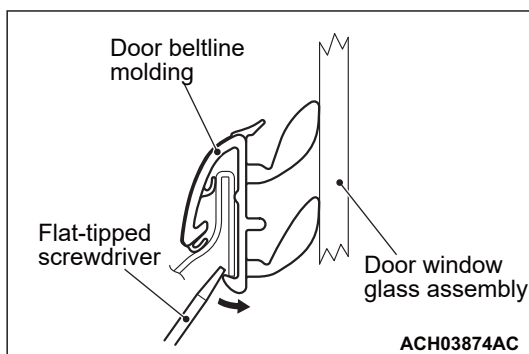
<Deleted>

7. ~~Door check connecting bolt~~

>>A<< 9. Door opening weatherstrip inner

REMOVAL SERVICE POINTS**<<A>> DOOR BELTLINE MOLDING REMOVAL**

Insert a flat-tipped screwdriver as shown, and pry it in the direction shown to remove the door beltline molding.

**<> DOOR OPENING WEATHERSTRIP OUTER REMOVAL**

Make the tool as shown in the figure, and remove the weatherstrip from the door panel.

