



STAR ONLINE PUBLICATION

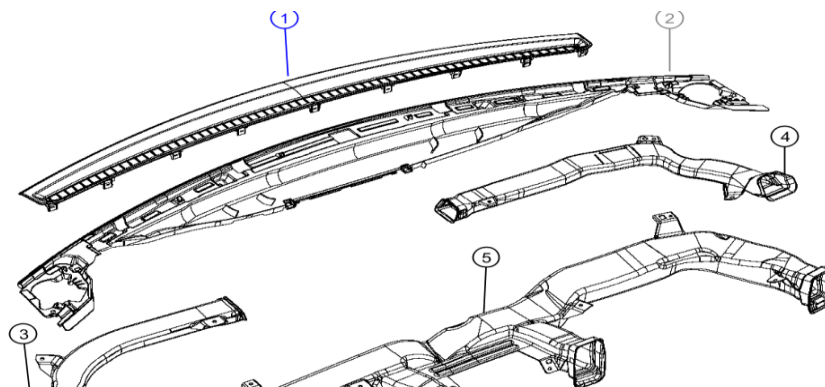


Case Number: S1923000052 Rev. A

Release Date: August 2022

Symptom/Vehicle Issue: Wind Noise From Lower Center Windshield Area At Highway Speed

Discussion: Isolate the noise location with chassis ears, stethoscope or a simple stethoscope made from a 3' piece of heater hose held to your ear and the other moved to source the noise location. If the noise is around the upper dash windshield, remove the trim to inspect the bolt locations shown below. A missing fastener can cause wind noise.



To access the area using a trim stick remove item #1 Cowl Top Cap.

This document does not authorize warranty repairs. This communication documents a record of past experiences. STAR Online does not provide any conclusions about what is wrong with the vehicle. Rather, it captures all previous cases known that appear to be similar or related to the vehicle symptom / condition. You are the expert, and you are responsible for deciding on the appropriate course of action.

Contact STAR Center, or your Technical Assistance Center Via TechConnect, eCONTACT or Service Library entry if no solution is found.



STAR ONLINE PUBLICATION



Fastener part number 06100567 attaches the upper dash to the body at the windshield.

Verification: Test drive to confirm repair.

This document does not authorize warranty repairs. This communication documents a record of past experiences. STAR Online does not provide any conclusions about what is wrong with the vehicle. Rather, it captures all previous cases known that appear to be similar or related to the vehicle symptom / condition. You are the expert, and you are responsible for deciding on the appropriate course of action.

Contact STAR Center, or your Technical Assistance Center Via TechConnect, eCONTACT or Service Library entry if no solution is found.