



STAR ONLINE PUBLICATION



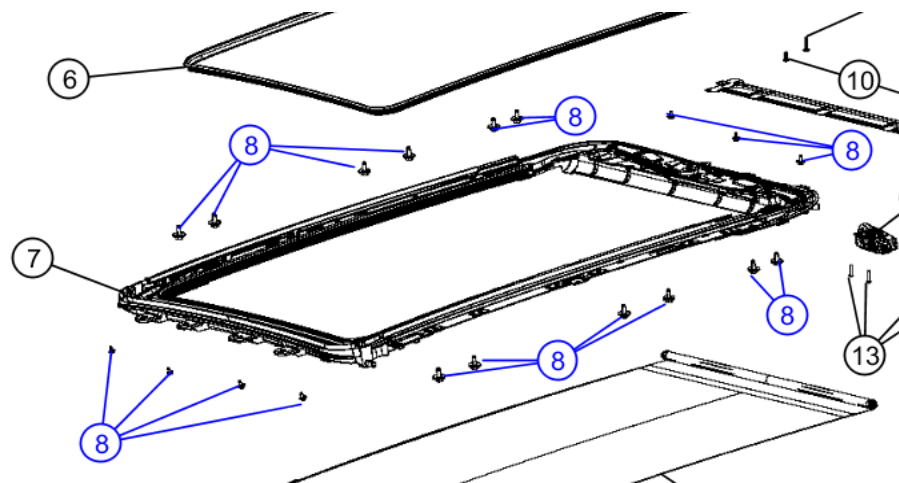
Case Number: S2223000059

Release Date: August 2022

Symptom/Vehicle Issue: Rattle Squeak Noise From Sunroof Area

Customer Complaint/Technician Observation: Operating the vehicle over rough roads, bumps and potholes the customer hears a buzz, squeak or rattle from the sunroof area.

Discussion: Noises heard could originate from the sunroof mounting screws. Along with performing a visual inspection of the roof components also inspect the dual pane sunroof perimeter fastening screws for torque. Refer to Service Library 23 - Body / Sunroof, Dual Pane / SUNROOF, Dual Pane / Removal and Installation REMOVAL AND INSTALLATION for information and torque specifications.



Attachment screw locations for dual pane sunroof

This document does not authorize warranty repairs. This communication documents a record of past experiences. STAR Online does not provide any conclusions about what is wrong with the vehicle. Rather, it captures all previous cases known that appear to be similar or related to the vehicle symptom / condition. You are the expert, and you are responsible for deciding on the appropriate course of action.

Contact STAR Center, or your Technical Assistance Center Via TechConnect, eCONTACT or Service Library entry if no solution is found.