



STAR ONLINE PUBLICATION

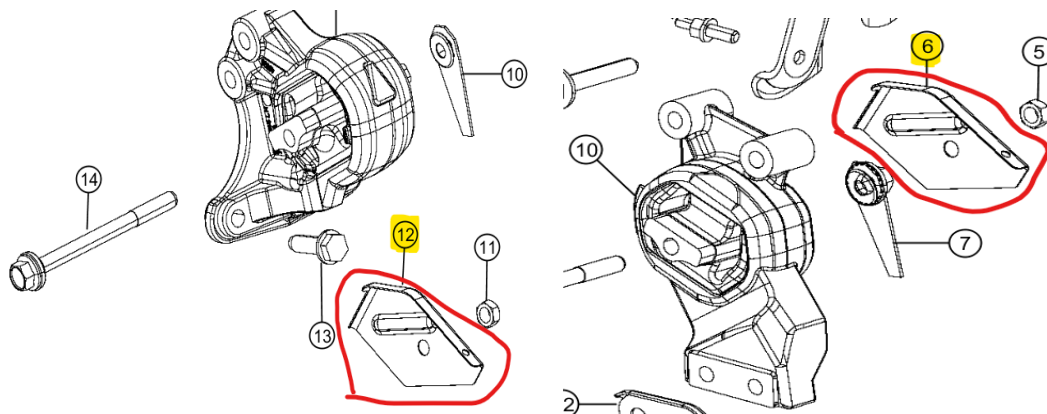


Case Number: S2223000027

Release Date: March 2022

Symptom/Vehicle Issue: Buzz Rattle Squeak Noise From Under Hood

Discussion: Motor mounts have a heat shield attached to protect them from engine under hood heat. Inspect the shield for being secured. Also, using a screwdriver tap on them to see if they buzz. If noise is duplicated, loosen the retaining nut and reposition the shield as needed to avoid contacting chassis items causing the noise. Lastly, torque the retaining nut (41ft lbs or 55Nm). Refer to 09 - Engine, 5.7L / Engine Mounting / INSULATOR, Engine Mount, Front / Removal and Installation for more information.



This document does not authorize warranty repairs. This communication documents a record of past experiences. STAR Online does not provide any conclusions about what is wrong with the vehicle. Rather, it captures all previous cases known that appear to be similar or related to the vehicle symptom / condition. You are the expert, and you are responsible for deciding on the appropriate course of action.

Contact STAR Center, or your Technical Assistance Center Via TechCONNECT or eCONTACT ticket if no solution is found



STAR ONLINE PUBLICATION



This document does not authorize warranty repairs. This communication documents a record of past experiences. STAR Online does not provide any conclusions about what is wrong with the vehicle. Rather, it captures all previous cases known that appear to be similar or related to the vehicle symptom / condition. You are the expert, and you are responsible for deciding on the appropriate course of action.

Contact STAR Center, or your Technical Assistance Center Via TechCONNECT or eCONTACT ticket if no solution is found