



RSB-60-22-001-1: Temporarily Disable Powered Tonneau Cover

Rivian is initiating a technical service bulletin for some R1T vehicles that may have a tonneau cover that does not properly open or close. If necessary, Rivian will open the tonneau cover and temporarily disable it so that it remains in a fully-open position.


Document Type	Technical Service Bulletin
Date	December 2, 2022
Affected Region(s)	USA
Affected Model(s)	R1T
Model Year(s)	2022
Approximate Build Dates	August 2021 - November 2022
 Refer to the FSA Dashboard to determine if this document applies to a specific vehicle.	
Vehicle System	60 - Exterior Attachments
Minimum Service Location	Mobile

Potentially Required Parts

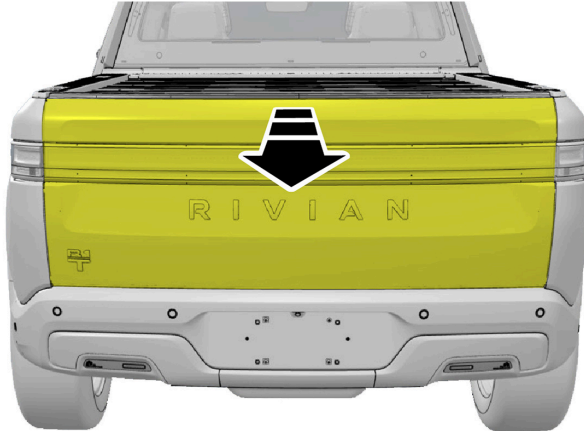
Part Number	Quantity	Engineering Name	Service Name/Notes
SC00013900-A	2	BOLT - M6X1.0X18.55 PN TP WSHR FL MPS NYL CL8.8 R105B	Prevailing Torque
SC00007621-A	6	BOLT - M6X1.0X13.45 HX WSHR MAT ADH R105B	Non-reusable

 **Attention:** The parts listed in this table are only for unique steps that are called out in this bulletin. Some sections of this bulletin might refer to Service Manual procedures which require additional parts. Always review the bulletin and all potentially related Service Manual procedures before ordering parts and beginning work.

Procedure (Basic Method)

1.  **Important:** This procedure requires RiDE. Review the RiDE instructions specific to this procedure before starting work.

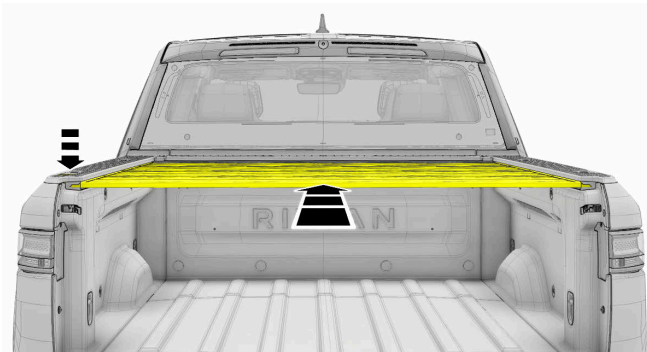
2.



3. Press and hold the tonneau cover button while pushing the panels into the tonneau cover housing. Check and adjust fit and/or flushness.



Note: The visible panel should protrude 25-50 mm (1-2 inches) from the housing.

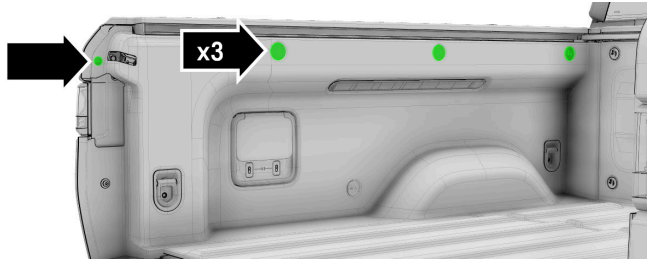


- If the tonneau cover fully opens: Continue to the next step.
 - If the tonneau cover does not fully open: Skip to the [Tonneau Disassembly](#) section.
4. Follow the process shown in RiDE.

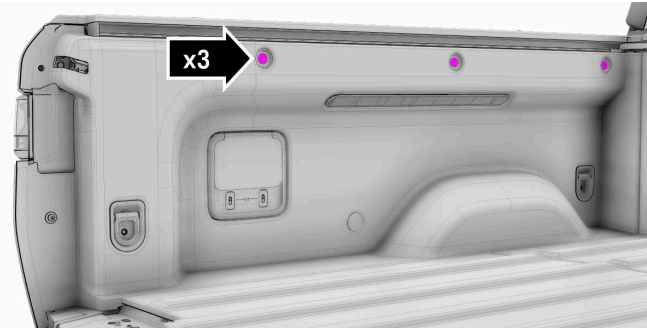
No additional work is required.

Tonneau Disassembly

1. On both sides:

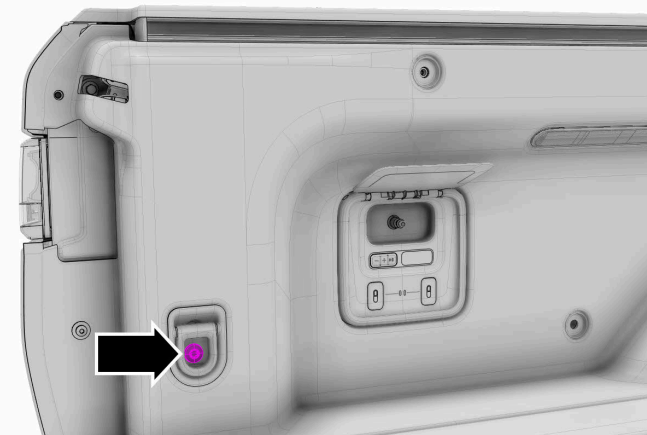


2. On both sides:




CAUTION: Non-reusable component(s).

3. On both sides:

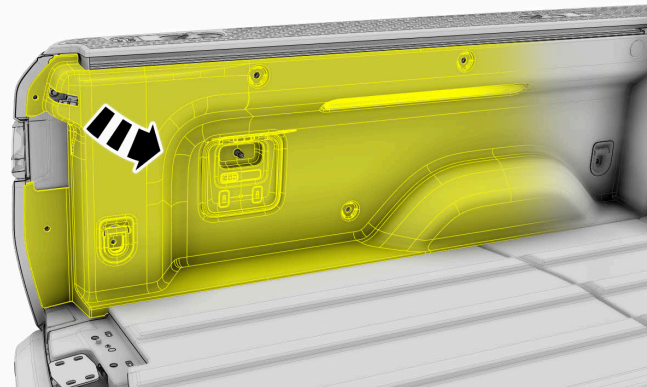


4. On both sides:




 **CAUTION:** Potentially non-reusable component(s).

5. On both sides: Using the inflatable wedge(s):




6. On both sides: Remove: Channel, Tonneau Cover (refer to service manual procedure 602120010).

 **Note:** Do not remove the LH or RH bed trim panel.

7.



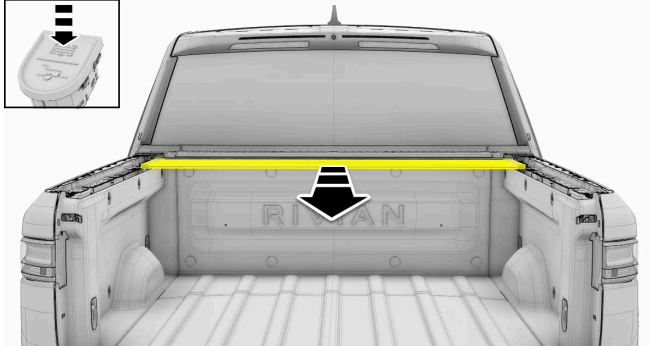
 **Note:** The component(s) will be used in a later step.

8. Repeat step 7 for the remaining visible components.

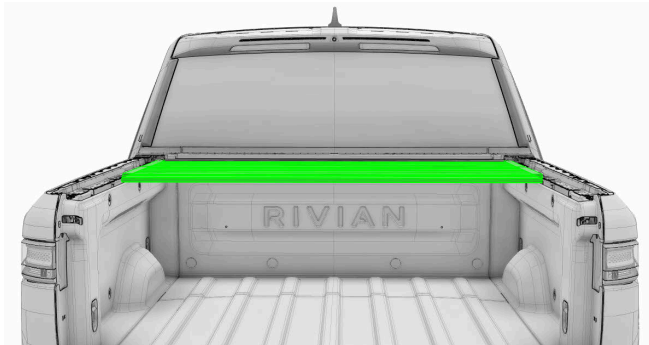
9. Temporarily reconnect the component.



10. Press and hold the tonneau cover button while pulling on the remaining panels.

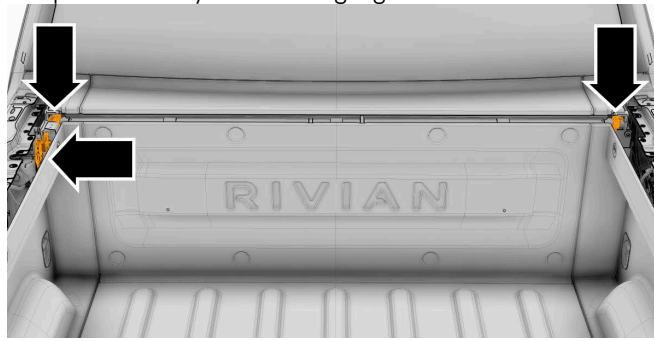


11.



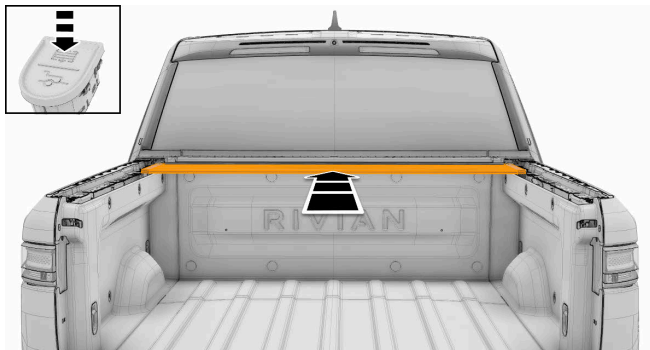
12. Reuse the component that was removed in step 7.

- !** **Important:** Note the following before continuing:
- Keep hands away from the highlighted areas.



- Push the component into the tonneau cover housing evenly.
- Prepare to release the button promptly.
- Release the button when the panel protrudes 25-50 mm (1-2 inches) from the housing.

Press and hold the tonneau cover button while pushing the component into the tonneau cover housing.



13. Follow the process shown in RiDE.

14. Reinstall all components that were removed for access and replace all non-reusable components.

Torque specifications in this section

Step Number	Torque (Nm)
2	9
3	45
4	6

Labor Codes

Labor Code	Description
RSB602200100	RSB-60-22-001-1 not applicable
RSB602200101	Open powered tonneau cover (basic method); temporarily disable tonneau cover
RSB602200102	Open powered tonneau cover; disassemble tonneau cover; temporarily disable tonneau cover
Contact ServiceDocumentFeedback@rivian.com regarding labor codes and document content.	