

2023 LX 600 Pre-Delivery Service (PDS)

Service Category General

Section Pre-Delivery Service **Market** USA

Toyota Supports
ASE Certification 

Applicability

YEAR(S)	MODEL(S)	ADDITIONAL INFORMATION
2023	LX600	

Introduction

This bulletin contains the vehicle specific pre-delivery services for 2023 model year LX 600 vehicles. Additionally, refer to the applicable Pre-Delivery Service (PDS) Check Sheet for services to be performed.

Warranty Information

OP CODE	DESCRIPTION	TIME	OFP	T1	T2
N/A	Not Applicable to Warranty	–	–	–	–

2023 LX 600 Pre-Delivery Service (PDS)

Required Tools & Equipment

REQUIRED EQUIPMENT	SUPPLIER	PART NUMBER	QTY
Techstream ADVi*	ADE	TSADVUNIT	1
Techstream 2.0		TS2UNIT	
Techstream Lite		TSLITEPDLR01	
Techstream Lite (Green Cable)		TSLP2DLR01	

*Essential SST.

NOTE

- Only ONE of the Techstream units listed above is required.
- Software version 17.20.013 or later is required.
- Additional Techstream units may be ordered by calling Approved Dealer Equipment (ADE) at 1-800-368-6787.

Procedures

• D/C Cut Fuse (30A) Installation	3
• Head Unit System Reset	4
• Seating Position Control ECU Initialization	4
• Installation of Towing Hitch Cover*	4
• Front License Plate and Mounting Bracket Installation*	5
• Tire Pressure Warning System Initialization	7
• Set Hybrid Radio Feature to Off	7
• Navigation — Set Date & Time by GPS	7

*If Applicable

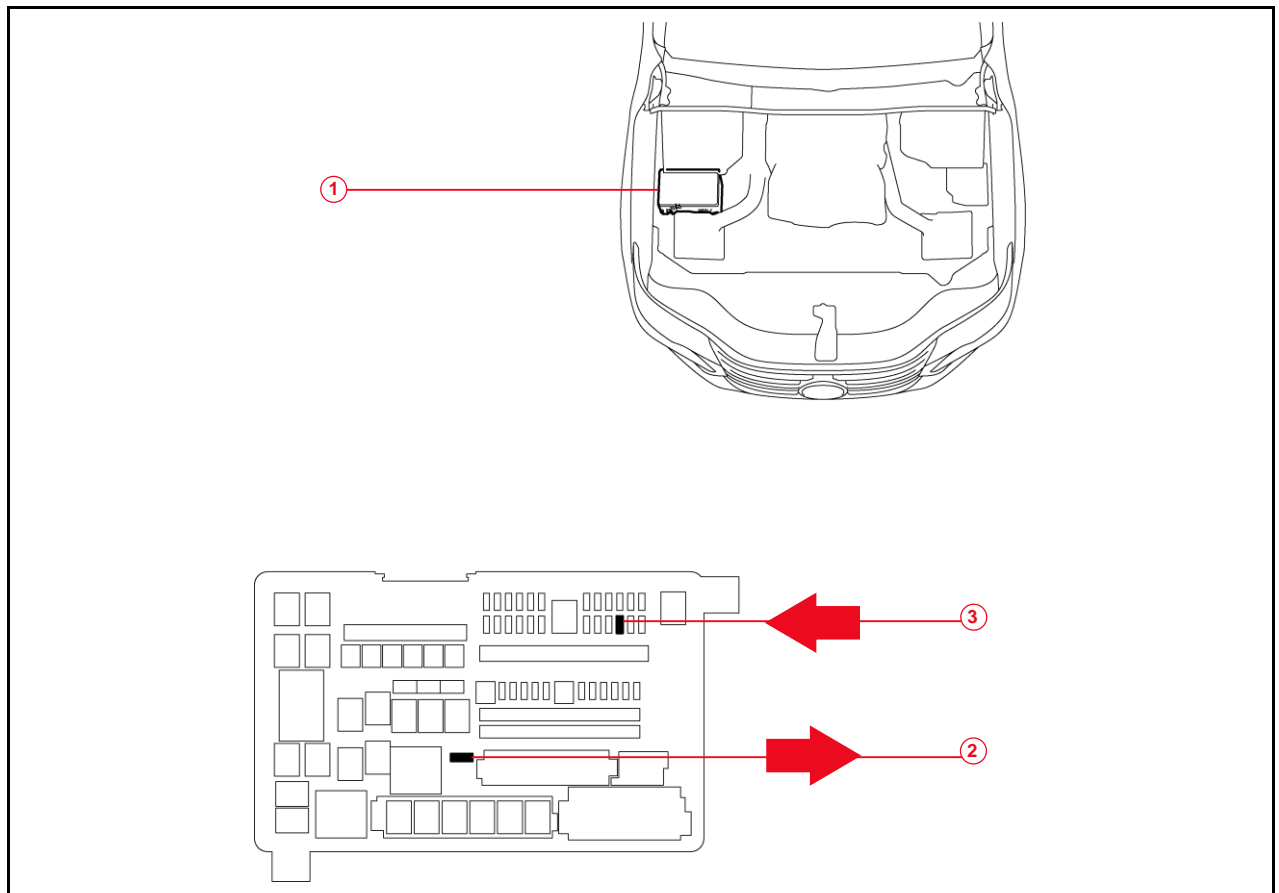
2023 LX 600 Pre-Delivery Service (PDS)

D/C Cut Fuse (30A) Installation

To minimize battery discharge during transportation and storage, the D/C cut fuse (30A) has been removed at the assembly plant and temporarily stored in the blank space of the relay block in the engine compartment. During PDS, reinstall the D/C cut fuse (30A) to its original location and confirm ALL related Diagnostic Trouble Codes (DTCs) are cleared.

Remove the D/C cut fuse (30A) from the blank space of the relay block in the engine compartment and install the D/C cut fuse (30A) in the relay block as shown.

Figure 1.



1	Relay Block
2	Remove D/C Cut Fuse (30A)

3	Install D/C Cut Fuse (30A) (Original Location)
----------	---

NOTE

With the D/C cut fuse (30A) removed, the diagnostic trouble code (DTC) is detected when the ignition is turned on during transportation. Clear all DTCs using the GTS after checking that there are no malfunctions on the vehicle.

2023 LX 600 Pre-Delivery Service (PDS)

Head Unit System Reset

Confirm that the welcome screen with language options appears on the head unit display when ignition is switched to the ON position. There may be instances where the welcome screen with language options may not properly appear on the head unit display.

If the welcome screen showing language options is NOT displayed, complete the following steps:

1. Select the Settings option (gear icon).
2. Scroll down and select the Info & Security option.
3. The System Reset dialogue box will appear. Select Reset to confirm the resetting of the system.
4. Confirm that the welcome screen with language options is displayed.

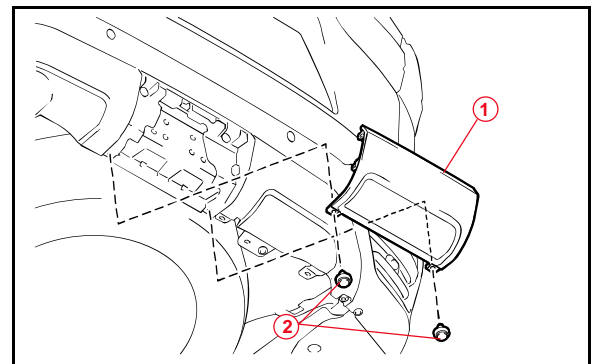
Seating Position Control ECU Initialization

Refer to the applicable Repair Manual for the seating position control ECU [initialization procedure](#) (procedure 3).

Installation of Towing Hitch Cover

1. Attach the two provided clips to install the towing hitch cover.

Figure 2.



1	Towing Hitch Cover
2	Clips

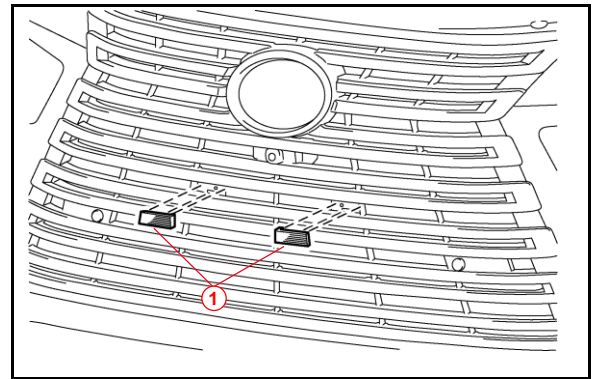
2023 LX 600 Pre-Delivery Service (PDS)

Front License Plate and Mounting Bracket Installation

The front license plate mounting bracket and two self-tapping screws are stored in the rear cargo area of the vehicle. For states that require a front license plate, install the license plate and mounting bracket during PDS.

1. Remove the two radiator grille mouldings by disengaging the three claws on each.

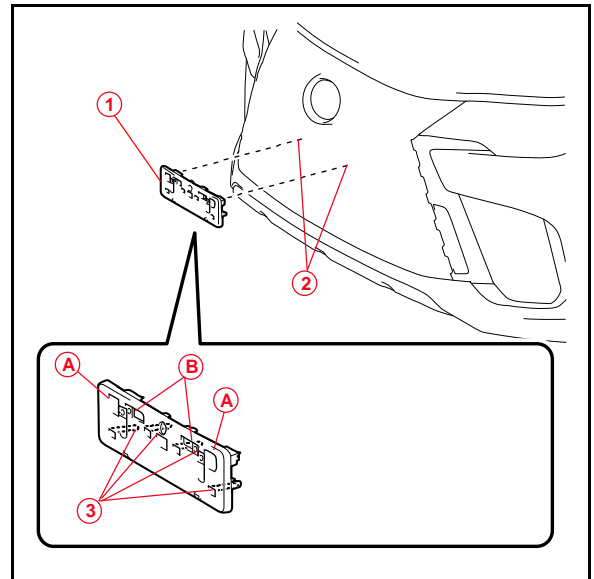
Figure 3.



1	Radiator Grille Mouldings
----------	----------------------------------

2. Attach the front license plate mounting bracket hooks to the air intake of the radiator grille and hold in place.
3. Align holes "A" of the mounting bracket with the installation holes on the radiator grille.

Figure 4.



1	Mounting Bracket
2	Installation Holes
3	Hooks

NOTE

- Holes "A" are used to install the mounting bracket to the bumper cover.
- Holes "B" are used to install the front license plate to the mounting bracket.

2023 LX 600 Pre-Delivery Service (PDS)

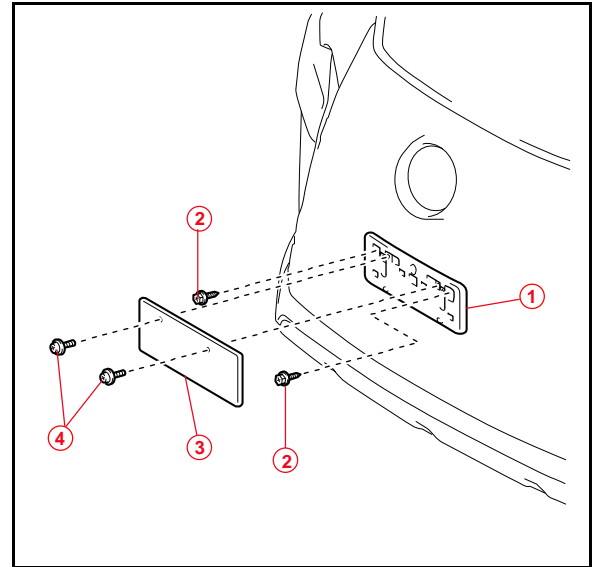
Front License Plate and Mounting Bracket Installation (continued)

4. Install the mounting bracket to the radiator grille using the two self-tapping screws provided.

NOTICE

Do NOT overtighten the self-tapping screws.

Figure 5.



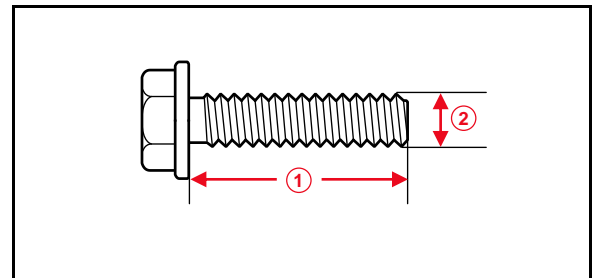
1	Mounting Bracket
2	Self-tapping Screws
3	License Plate
4	Bolts

5. Install the front license plate using two noncorroding bolts with the following dimensions:

Nominal Length: 15.0 mm (0.59 in.)

Diameter: 6.0 mm (0.24 in.)

Figure 6.



1	Nominal Length
2	Diameter

2023 LX 600 Pre-Delivery Service (PDS)

Tire Pressure Warning System (TPWS) Initialization

Refer to the applicable Repair Manual for the TPWS [initialization procedure](#). Note the spare tire does NOT have a TPWS sensor.

NOTE

To adjust the tire pressure correctly when the outside temperature is significantly colder than shop temperature, perform a Health Check using Techstream and select the compensation tire pressure checkbox. Compensation pressures will display on the Health Check results screen. Adjust the tire pressure when the tires are cold.

Set Hybrid Radio Feature to OFF

Without a Wi-Fi subscription, the customer will receive a “Subscription Required” pop-up while in weak broadcast radio signal areas. This pop-up notification may cause confusion to the customer. Therefore, it is necessary to toggle the Hybrid Radio feature to the OFF position.

1. Turn the engine switch (power switch) to the ON position (ON mode).
2. Navigate the following menus in the head unit: *Settings – Sound and Media – Radio – Hybrid Radio*.
3. Ensure the Hybrid Radio feature is set to the OFF position.

NOTE

The Enable Hybrid Radio feature is factory preset to the ON position.

Navigation — Set Date & Time by GPS

Before selling a Toyota vehicle, it is necessary to turn the Set Date & Time by GPS setting to the ON position.

1. Turn the engine switch (power switch) to the ON position (ON mode).
2. Navigate the following menus in the head unit: *Settings – General – Date & Time – Set date & time by GPS*.
3. Ensure the Set Date & Time by GPS function is set to the ON position.