



STAR ONLINE PUBLICATION

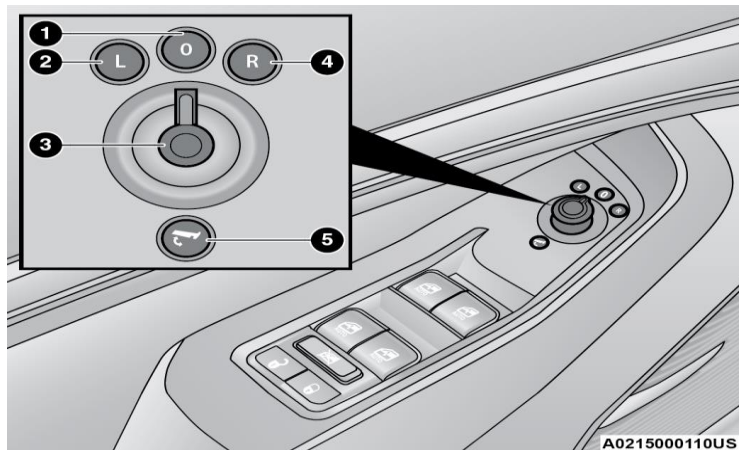


Case Number: S2223000074

Release Date: October 2022

Symptom/Vehicle Issue: Exterior Power Fold Mirror Does Not Travel To Full Extend or Fold Positions.

Discussion:



Power Mirror Switch

1 — Neutral Position
2 — Left Mirror
3 — Control Switch
4 — Right Mirror
5 — Power Folding Position

This document does not authorize warranty repairs. This communication documents a record of past experiences. STAR Online does not provide any conclusions about what is wrong with the vehicle. Rather, it captures all previous cases known that appear to be similar or related to the vehicle symptom / condition. You are the expert, and you are responsible for deciding on the appropriate course of action.

Contact STAR Center, or your Technical Assistance Center Via TechConnect, eCONTACT or Service Library entry if no solution is found.



STAR ONLINE PUBLICATION



The door mounted exterior power folding mirrors have a clutch to allow manual folding. If the clutch is unlocked the mirror may not travel to the full extend and fold positions. To remedy a mirror that does not travel to full end positions, power fold the mirror to the fully folded position and continue to press the switch for 20-30 seconds until power fold mechanism locks into place. If that does not correct the issue, power unfold the mirror and continue pressing the switch for 20 - 30 seconds until the clutch locks.

This document does not authorize warranty repairs. This communication documents a record of past experiences. STAR Online does not provide any conclusions about what is wrong with the vehicle. Rather, it captures all previous cases known that appear to be similar or related to the vehicle symptom / condition. You are the expert, and you are responsible for deciding on the appropriate course of action.

Contact STAR Center, or your Technical Assistance Center Via TechConnect, eCONTACT or Service Library entry if no solution is found.