

JLRTB02076NAS2

**TECHNICAL BULLETIN**

23 NOV 2022



© Jaguar Land Rover North America, LLC

NOTE: The information in Technical Bulletins is intended for use by trained, professional Technicians with the knowledge, tools, and equipment required to do the job properly and safely. It informs these Technicians of conditions that may occur on some vehicles, or provides information that could assist in proper vehicle service. The procedures should not be performed by 'do-it-yourselfers'. If you are not a Retailer, do not assume that a condition described affects your vehicle. Contact an authorized Land Rover service facility to determine whether this bulletin applies to a specific vehicle.

**INFORMATION**

---

This bulletin supersedes TSB JLRTB02076NAS1/2021 dated 08 JUN 2021, which should either be destroyed or clearly marked to show it is no longer valid (e.g. with a line across the page). Only refer to the electronic version of this Technical Bulletin in TOPIx.

Changes are highlighted in blue

---

**SECTION:**

419-01B

**SUBJECT/CONCERN:**

Intermittent Passive Entry Operation

**AFFECTED VEHICLE RANGE:**

MODEL:	MODEL YEAR:	VIN:	ASSEMBLY PLANT:
Defender (LE)	2020-2022	000001-107434	Nitra (Slovakia)

**MARKETS:**

NORTH AMERICA

**CONDITION SUMMARY:****SITUATION:**

Intermittently, the passive unlock feature does not work unless the smart key is in the customers hand, close to the vehicle.

**CAUSE:**

Poor reception.

**ACTION:**

Follow the instructions below.

**PARTS:****NOTE:**

An allowance equivalent to \$6.00 has been allocated per repair to locally source a suitable hot melt adhesive applicator and hot melt adhesive sticks.

PART NUMBER	DESCRIPTION	QUANTITY
LR180144	Defender 110 - Overlay harness	1
LR180143	Defender 90 - Overlay harness	1

PART NUMBER	DESCRIPTION	QUANTITY
ZZZ001	Hot melt adhesive applicator and hot melt adhesive sticks	\$6.00

**WARRANTY:**

**NOTE:**

\* When submitting your Warranty claim within the Warranty portal, use the Condition Code list shown to select the Condition Code which best describes the vehicle defect.

**NOTES:**

- Repair procedures are under constant review, and therefore times are subject to change; those quoted here must be taken as guidance only. Use TOPIx to obtain the latest repair time.
- The JLR claims submission system requires the use of causal part numbers. Labor only claims must show the causal part number with a quantity of zero.

DESCRIPTION	SRO	TIME (HOURS)	CONDITION CODE	CAUSAL PART
Defender 110 - JLRTB - Radio Frequency (RF) receiver - Install in new location	99.01.46	2.8	*	LR149753
Defender 90 - JLRTB - RF receiver - Install in new location	99.01.46	2.3	*	LR149753

**NOTE:**

Normal Warranty procedures apply.

**SERVICE INSTRUCTION:**

**NOTES:**

- Some variation in the illustrations may occur, but the essential information is always correct.
- Some components are shown removed for clarity.

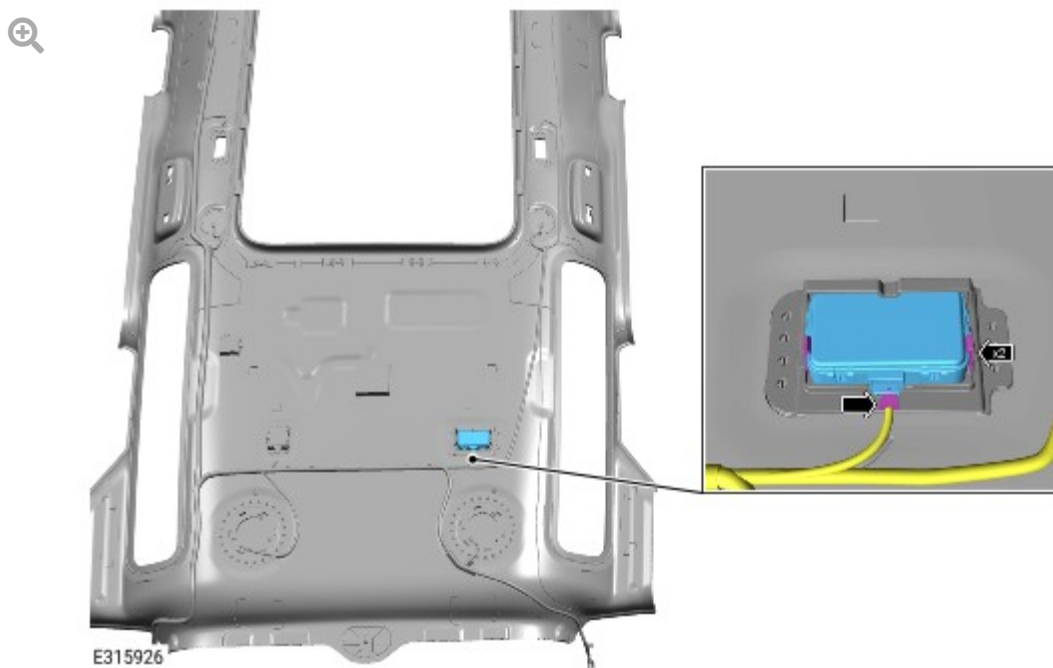
## 1. Lower the headliner for access only -

- For Defender 110 vehicles see TOPIx Workshop Manual section 501-05: Interior Trim and Ornamentation - Removal and Installation - Headliner Remove for Access and Reinstall - 110.
- For Defender 90 vehicles see TOPIx Workshop Manual section 501-05: Interior Trim and Ornamentation - Removal and Installation - Headliner Remove for Access and Reinstall - 90.

## 2.

**NOTE:**

Defender 110 RF receiver shown, Defender 90 is similar.



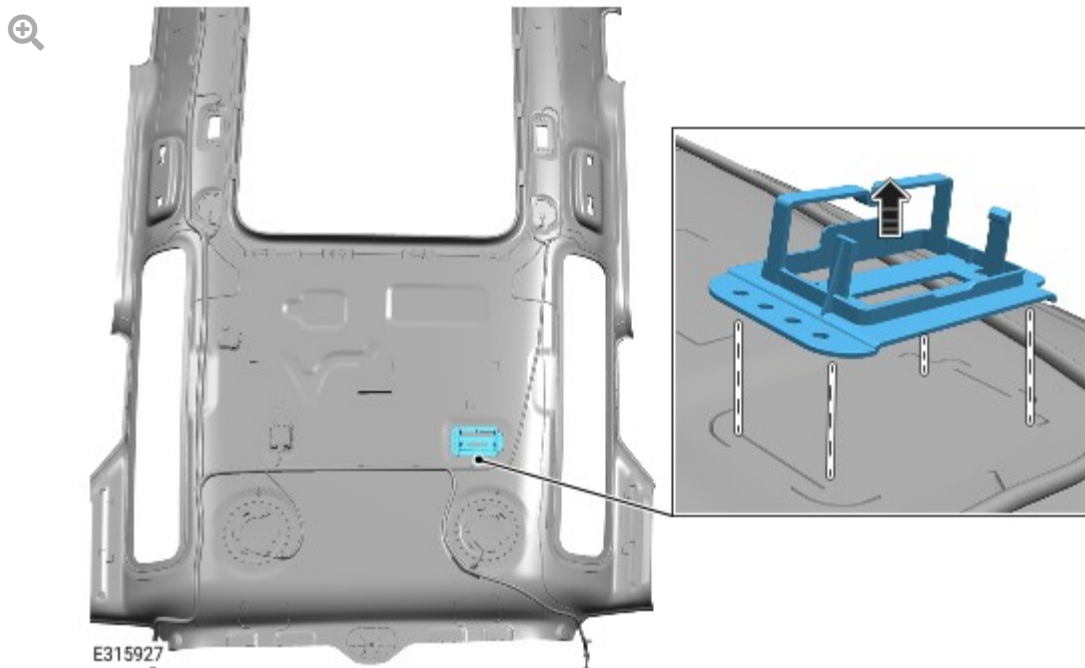
Remove the RF receiver.

- Disconnect the electrical connector.
- Release the 2 clips.

3.

**NOTES:**

- Defender 110 RF receiver mounting bracket shown, Defender 90 is similar.
- Make sure any excess glue adhered to the RF receiver mounting bracket is removed before continuing.
- Do not discard the RF receiver mounting bracket. It is to be reinstalled in the next step.

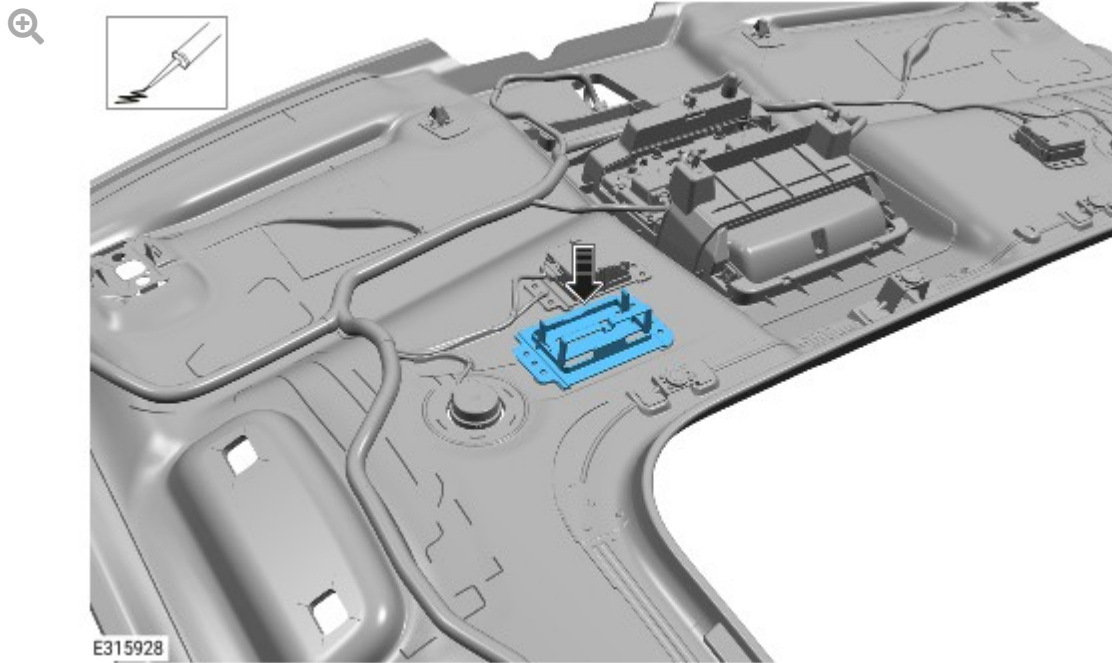


Using a suitable trim tool, carefully remove the RF receiver mounting bracket from the headliner.

4.

**NOTE:**

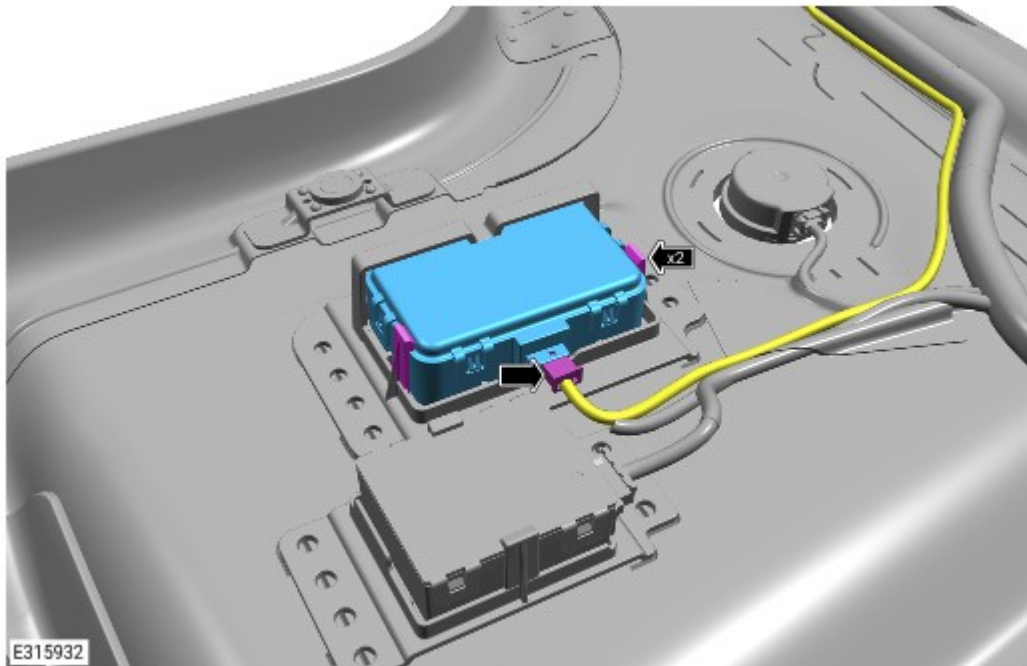
Make sure the RF receiver mounting bracket is installed in the orientation shown in the illustration.



Using hot melt adhesive and the applicable applicator, secure the RF receiver mounting bracket to the headliner in the location shown in the illustration.

- Following the hot melt adhesive manufacturer's instructions, allow the hot melt adhesive to cure.

5.



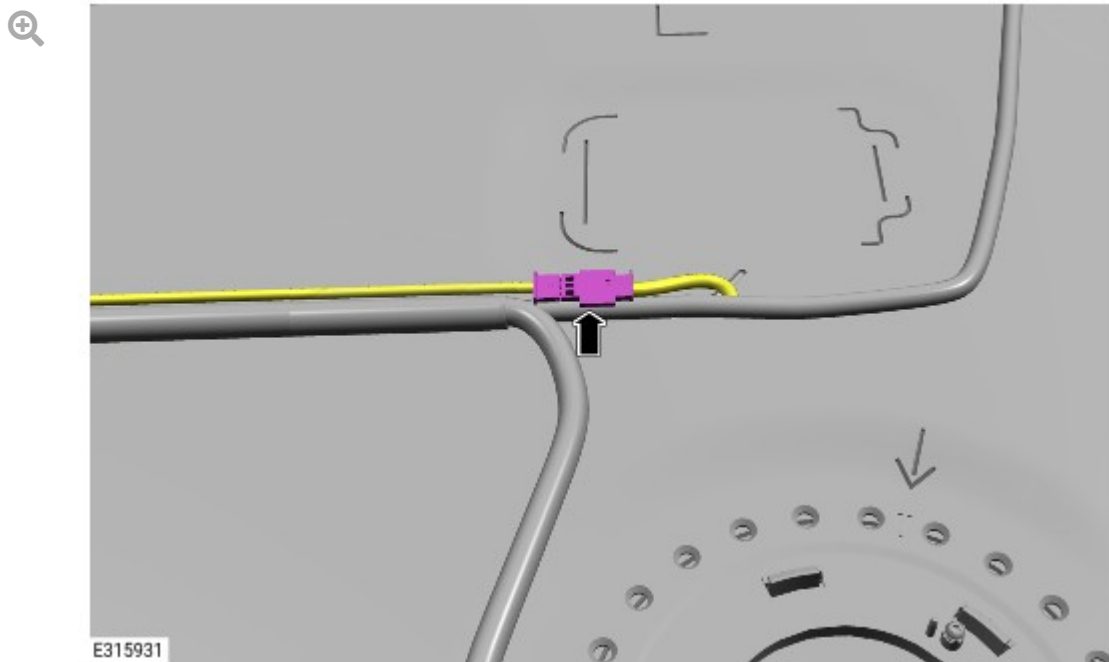
Install the RF receiver into the relocated mounting bracket.

- Secure the 2 clips.
  - Connect the overlay harness electrical connector.
-

6.

**NOTE:**

Defender 110 connector location shown, Defender 90 is similar.



Connect the overlay harness to the original RF receiver electrical connector.

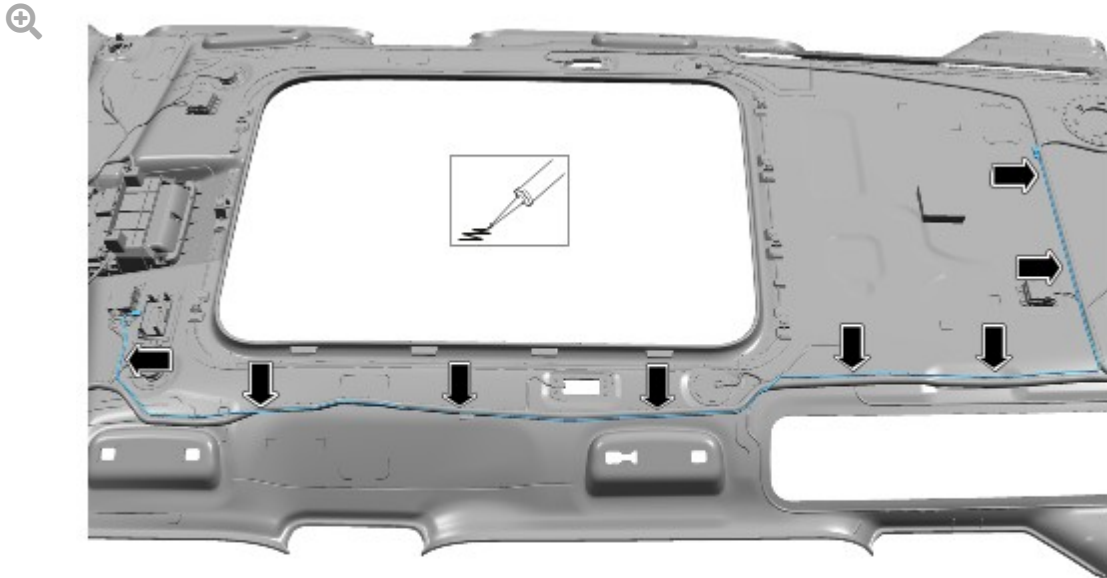
---



7.

**CAUTION:**

The overlay harness must follow the route of original headliner wiring harness, unless instructed otherwise, to avoid the risk of introducing electrical interference issues.



E315929

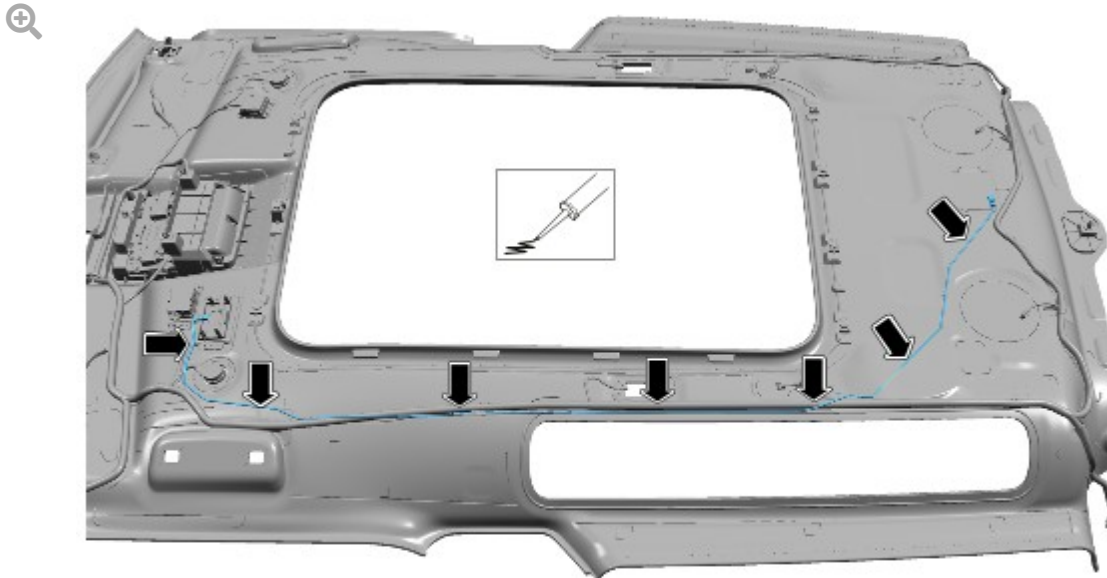
**Defender 110 vehicles** - Using hot melt adhesive and the applicable applicator, secure the overlay harness to the headliner and original headliner wiring harness as shown in the illustration.

- Following the hot melt adhesive manufacturer's instructions, allow the hot melt adhesive to cure.

8.

**CAUTION:**

The overlay harness must follow the route of original headliner wiring harness, unless instructed otherwise, to avoid the risk of introducing electrical interference issues.



E315930

**Defender 90 vehicles** - Using hot melt adhesive and the applicable applicator, secure the overlay harness to the headliner and original headliner wiring harness as shown in the illustration.

- Following the hot melt adhesive manufacturer's instructions, allow the hot melt adhesive to cure.

---

9. Install the headliner.

- **Defender 110 vehicles** - see TOPIx Workshop Manual section 501-05: Interior Trim and Ornamentation - Removal and Installation - Headliner Remove for Access and Reinstall - 110.
- **Defender 90 vehicles** - see TOPIx Workshop Manual section 501-05: Interior Trim and Ornamentation - Removal and Installation - Headliner Remove for Access and Reinstall - 90.