

Porsche

Special Tools & Equipment

9282 Supersedes to the PNA9282NAR

Technical Support

2221

USA Only

Porsche Special Tools and Equipment has learned that the originally released **9282** Wrench Socket has been discontinued. A new Wrench Socket with the part number **PNA9282NAR** has been released, as a minimum required tool. If you have any questions about the new Wrench Socket, please feel free to reach out directly to askthetoolguy@porsche.us

Model line

Model

911

964, 993, 996

Porsche

Special Tools & Equipment

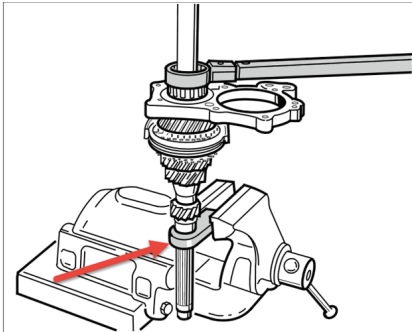
9282 Supersedes to the PNA9282NAR

Technical Support

2221

USA Only

New Products



Wrench Socket

Tool #PNA9282NAR | ★★ | \$0.00

Model lines 964, 993, 996

Use Removing and installing input shaft

Workshop Manual WM354019

Order Number PNA9282NAR

Supplier Porsche Special Tools & Equipment

Availability Immediate Availability

Note

Porsche

Special Tools & Equipment

9282 Supersedes to the PNA9282NAR

Technical Support

2221

USA Only

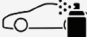

General Information

Ordering process

* For ordering tools identified with a prefix of T, VW, VAS, VAG or a four digit tool number (Ex. 3438) please login to porsche.snapon.com for ordering

* For ordering tools with a prefix of 000 721, PNA or 918 721 please login to POLARIS (PPL) to order tools

Workshop Equipment Classification

- ★ Servicing and maintenance
- ★★ Replacement of units and assemblies
- ★★★ Disassembly of units and assemblies
- ★★★★ Tool hire
-  Body & Paint
-  High-voltage

Contact person

E-mail: askthetoolguy@porsche.us

All After Sales Circulars can also be found at:

PPN Aftersales Workshop Special Tools & Equipment

All prices are subject to change without notice