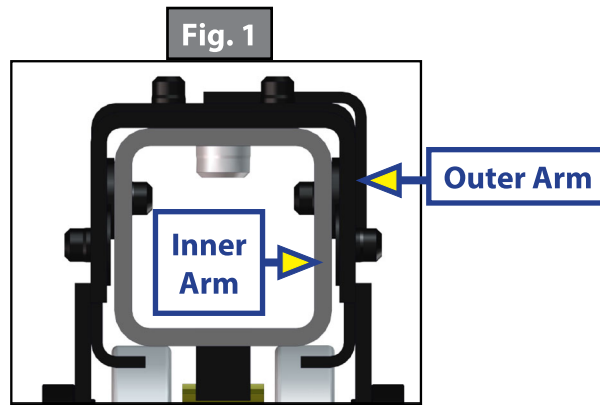
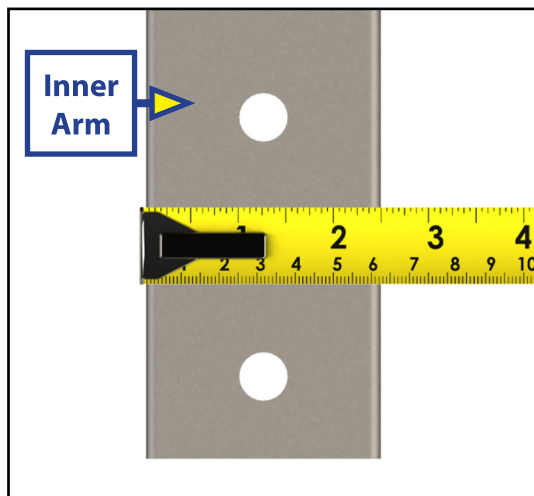


**FRAMES AND CHASSIS**

**NOTE:** Tape measure is shown across the top of the inner arm of the slide-out.

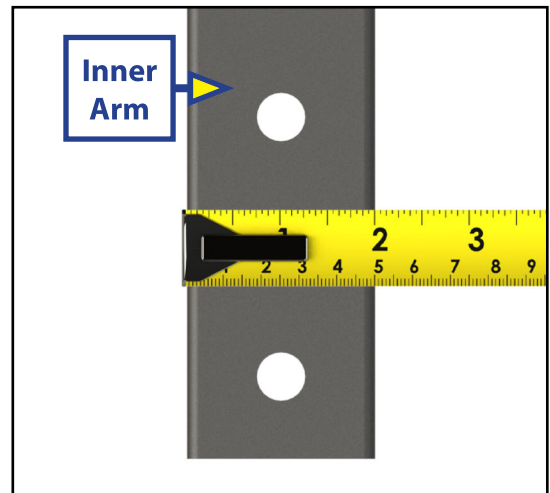


**Fig. 2 - 2.5 x 2.5 Square**

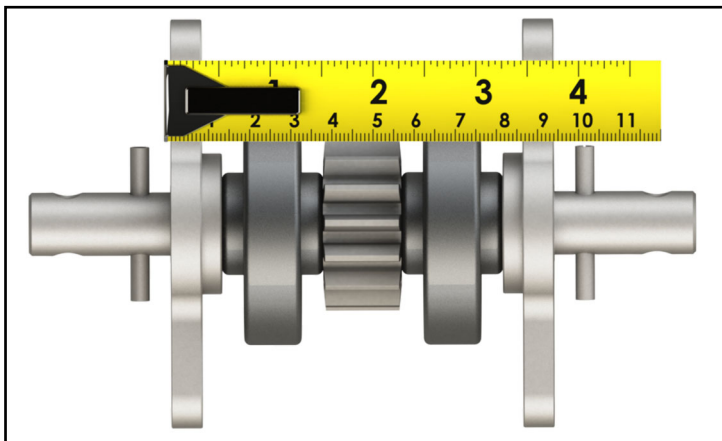


2 1/2" x 2 1/2" - Part #143707

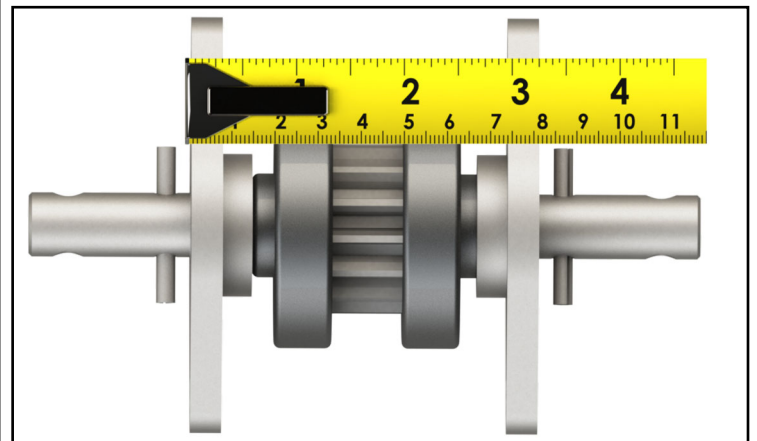
**Fig. 3 - 2 x 2 Square**



2" x 2" - Part #145736



Gear pack 3 3/4" outside distance of Bearing plates - Part #122837



Gear pack 3 1/4" outside distance of Bearing plates - Part #154233

As a supplier of a broad array of highly-engineered components in the recreation and transportation product markets, safety, education and customer satisfaction are our primary concerns. Should you have any questions, please do not hesitate to contact us at 432-LIPPERT (432-547-7378) or by email at [customerservice@lci1.com](mailto:customerservice@lci1.com). Self-help tips, technical documents, product videos and a training class schedule are available at [lippert.com](http://lippert.com) or by downloading the LippertNOW app.