

REFERENCE:	Nova Bus Manuals
SECTION:	01: Stainless Steel Chassis
RS N°:	MQR 7621-1814
EFFECTIVE IN PROD.:	LC48 (2020JA)

APPLICATION DEADLINE:N/A

SUBJECT:	Stainless steel structure
JUSTIFICATION:	Under certain conditions, the rear wheelhouse structure section may be affected by a structural stress and crack near the radius rod of the anchor point.

LEVEL	DESCRIPTION	DIRECT CHARGES		EST. TIME
		LABOUR	MATERIAL	
1	In your next schedule structural maintenance, inspect for cracks near the radius rod anchor point . If there is a crack, install the reinforcement plate as described in the procedure.	Client	Client	6h45
2	-	-	-	-

MATERIAL

QTY	PART N°	REV.	DESCRIPTION	REPLACES PART N°
LEVEL 1				
1	N100366	-	Street side exterior plate	-
1	N100368	-	Street side inside plate	-
1	N100370	-	Street side top plate	-
2	N99784	-	Transversal beam top plate	-
1	N100367	-	Curb side exterior plate	-
1	N100369	-	Curb side inside plate	-
1	N100371	-	Curb side top plate	-
LEVEL 2				
-	-	-	-	-

Materials will be available within 46 days once your order has been placed. To order, please contact Prevost Parts by phone at 1-800-771-6682, by fax at 1-888-668-2555 or by email at prevostparts.commandes@volvo.com. Specify document number, quantity of parts required and shipping address.

DISPOSAL OF PARTS

REMOVED PARTS ARE:	DISCARDED	RETAINED	* Dispose of the unused parts and the defective parts in accordance with local environmental standards in effect.
	Yes	-	

REVISION HISTORY

REV.	DATE	CHANGE DESCRIPTION	WRITTEN BY
NR	2021FE02	Initial release	Luc Carignan
R1	2022OC06	Description modification. Correction of text error in the procedure. Modification of step 1.33 with reference to the maintenance manual and new and revised note on page 12.	Luc Carignan

APPROVED BY: Irina

Negoescu

Signature numérique de
Irina Negoescu
Date: 2022.11.01
16:53:30 -04'00'

PAGE 1 OF 17

CLIENT	ORDER	ROAD NUMBER		VIN (2NVVY/4RKY...)		QTY
		FROM	TO	FROM	TO	
Airdrie Transit - Alberta	L664	—	—	L82U2B3000507	L82U2B3000507	1
Airdrie Transit - Alberta	L759	—	—	L82U0D3000928	L82U0D3000928	1
Airdrie Transit Alberta	LB10	3718	3718	L82J1J9776464	L82J1J9776464	1
Airdrie Transit Alberta	LC17	3725	3726	L82J3K3751850	L82J5K3751851	2
Barrie Ontario - Metrolinx	L878	1501	1504	L82JXF3001691	L82J6F3001719	4
Barrie Ontario - Metrolinx	L955	1601	1604	L82J7G9775408	L82J9G9775412	4
Barrie Ontario - Metrolinx	LA31	1701	1705	L82J0H9775817	L82J2H9775821	5
Barrie Ontario - Metrolinx	LA49	1706	1713	L82J7H3750855	L82J4H3750862	8
Barrie Ontario - metrolinx	LC63	2001	2002	L82J3L9777537	L82J5L9777538	2
BC Transit - BCT - British Columbia	L463	9319	9333	L82U093000273	L82U093000287	15
BC Transit - BCT - British Columbia	L481	9334	9353	L82U794000004	L82U094000023	20
BC Transit - BCT - British Columbia	L484	9370	9403	L82U494000090	L82U494000123	34
BC Transit - BCT - British Columbia	L486	9354	9369	L82U294000024	L82U494000039	16
BC Transit - BCT - British Columbia	L487	9404	9433	L82U094000149	L82U794000178	30
BC Transit - BCT - British Columbia	L604	9434	9434	L82U5C3000597	L82U5C3000597	1
BC Transit - BCT - British Columbia	L735	9435	9440	L82U4C3000848	L82U8C3000853	6
BC Transit - BCT - British Columbia	L736	9441	9446	L82U8D3000854	L82U7D3000859	6
BC Transit - BCT - British Columbia	L858	9447	9481	L82JXE3001401	L82J5F3001436	35
BC Transit - BCT - British Columbia	L891	—	—	L82J5F3001565	L82J2F3001569	5
BC Transit - BCT - British Columbia	LA16	6000	6029	L82J3H9776217	L82J4H9776307	30
Belleville Transit - Ontario	L542	—	—	L82UXA3000088	L82U8A3000090	3
Belleville Transit - Ontario	L598	—	—	L82U5A3000581	L82U7A3000582	2
Belleville Transit - Ontario	L655	—	—	L82U3B3000385	L82U3B3000385	1
Belleville Transit - Ontario	L702	—	—	L82U4D3000706	L82U4D3000706	1
Belleville Transit - Ontario (ref. L754)	L809	—	—	L82U2D4500404	L82U2D4500404	1
Bow Valley Transit - Alberta	LB86	N/A	N/A	L82J8K9777001	L82J1K9777003	3
Bow Valley Transit - Alberta	L712	5	6	L82U6C3000804	L82U8C3000805	2
Bow Valley Transit - Alberta	L993	-	-	L82JXG3750329	L82J6G3750330	2
Bow Valley Transit - Alberta	LA26	—	—	L82J4H3750473	L82J4H3750473	1
Bow Valley Transit - Alberta	LA28	—	—	L82J6H9776308	L82J4H9776310	3
Brampton - Ontario	L501	0917	0926	L82U893000506	L82U893000523	10
Brampton - Ontario	L789	1401	1408	L82J4E3001216	L82J1E3001223	8
Brampton - Ontario	L816	1409	1415	L82J3E3001224	L82J9E3001230	7
Brampton - Ontario	L864	1501	1510	L82JXF3001500	L82J6F3001509	10
Brampton - Ontario	L865	1511	1519	L82JXF3001514	L82J9F3001522	9
Brampton - Ontario	L941	1614	1623	L82J1G3750123	L82J2G3750132	10
Brampton - Ontario	L942	1601	1613	L82J6G3750070	L82J4G3750083	13
Brampton - Ontario	LA20	1707	1713	L82J5H3750532	L82J6H3750538	7
Brampton - Ontario	LA21	1701	1706	L82J8H3750539	L82J1H3750544	6
Brampton - Ontario	LB01	1801	1817	L82J3H3750948	L82J6J3750982	17
Brampton - Ontario	LB02	1818	1823	L82J3J3751121	L82J2J3751126	6
Brampton Ontario	LC23	1901	1907	L82J3K3751878	L82J9K3751884	7
Brampton Ontario	LC54	1908	1916	L82J0K3751885	L82JXK3751893	9

CLIENT	ORDER	ROAD NUMBER		VIN (2NVY/4RKY...)		QTY
		FROM	TO	FROM	TO	
Brandon - Manitoba	L899	67	70	L82J2G3750180	L82J8G3750183	4
Brantford - Ontario	L547	10101	10105	L82X6A3000082	L82X3A3000086	5
Brantford - Ontario	L663	10121	10121	L82U1B3000532	L82U1B3000532	1
Brantford - Ontario	L718	10123	10125	L82U5C3000826	L82U9C3000828	3
Brantford - Ontario	L775	10131	10132	L82U1D3000999	L82U2D3001000	2
Brantford - Ontario	L928	10151	10153	L82J7F3001793	L82J0F3001795	3
Brantford - Ontario	LA03	10161	10612	L82J0G3750369	L82J7G3750370	2
Brantford - Ontario	LB64	101808	101810	L82J2J3751465	L82J6J3751467	3
Burlington - Ontario	L887	7017-15	7025-15	L82J7F3001681	L82J8F3001723	9
Burlington - Ontario	LB35	7033-18	7036-18	L82J9J3751432	L82J0J3751433	2
Burlington Ontario - metrolinx	LC18	1901	1907	L82J9K3752095	L82J0K3752101	7
Calgary Transit - Alberta	L601	8101	8114	L82U5A4000099	L82U4A4000112	14
Calgary Transit - Alberta	L607	8115	8130	L82UXA3000477	L82U6A3000492	16
Calgary Transit - Alberta	L615	8131	8158	L82U1B4000019	L82U4B4000046	28
Calgary Transit - Alberta	L624	—	—	L82U4B4000077	L82U6B4000078	2
Calgary Transit - Alberta	L637	8161	8180	L82U7B3000356	L82U2B3000376	20
Calgary Transit - Alberta	L709	8181	8200	L82UXC3000806	L82U3C3000825	20
Calgary Transit - Alberta	L733	8201	8202	L82AXD3000926	L82A1D3000927	2
Calgary Transit - Alberta	LB85	8355	8362	L82K9J9776916	L82K6J9776923	8
Calgary Transit - Alberta	LB91	8363	8394	L82K3K9777030	L82K1K9777074	32
Calgary Transit - Alberta	LC69	8395	8434	L82K2K9777388	L82K8K9777427	40
Calgary Transit - Alberta	LC94	8435	8464	L82K5L9777497	L82K8L9777526	30
Cape Breton Nova Scotia	LA12	7092	7093	L82J8H3750587	L82JXH3750588	2
Cape Breton Nova Scotia	LB92	7112	7113	L82J3K3751766	L82J5K3751767	2
Cape Breton Nova Scotia	LC90	—	—	L82J1L3752383	L82J1L3752383	1
CMBC (TransLink) - British Columbia	L412	9401	9401	L82X993000136	L82X993000136	1
CMBC (TransLink) - British Columbia	L454	9402	9470	L82X793000359	L82XX93000453	69
CMBC (TransLink) - British Columbia	L455	9471	9491	L82X093000459	L82X993000489	21
CMBC (TransLink) - British Columbia	L482	9492	9517	L82X894000040	L82X094000064	25
CMBC (TransLink) - British Columbia	L483	9518	9542	L82X294000065	L82X594000089	25
CMBC (TransLink) - British Columbia	L532	9543	9551	L82U093000497	L82U693000505	9
CMBC (TransLink) - British Columbia	L533	9552	9573	L82U193000511	L82U093000537	22
CMBC (TransLink) - British Columbia	L534	9574	9590	L82U694000124	L82U894000139	16
CMBC (TransLink) - British Columbia	LB31	18301	18404	L82L8J3751245	L82L3J3751444	104
CMBC (TransLink) - British Columbia	LB32	18451	18473	L82J5J9776726	L82J4J9776748	23
CMBC (TransLink) - British Columbia	LB74	H19301	H19302	L82M3K3751678	L82M7K3751702	2
CMBC (West Vancouver) - British Columbia	L539	901	909	L82U494000140	L82U994000148	9
Cold Lake	LA99	5013	5014	L82J7J3751302	L82J9J3751303	2
Cornwall - Ontario	LB55	—	—	L82J8J3751468	L82J8J3751468	1
Cornwall Ontario - Metrolinx	L935	—	—	L82J3F3001838	L82J5F3001839	2
Cornwall Ontario - Metrolinx	LA53	—	—	L82J2H3750892	L82J6H3750894	3
Demo- Altoona HEV BAE (REF LA95)	LB38	—	—	L82L7H3750940	L82L7H3750940	1
Demo BAE Nova	LA94	—	—	L82L3H3750806	L82L3H3750806	1
Démo LFS'e US	L989	—	—	L82M6H9775900	L82M6H9775900	1

CLIENT	ORDER	ROAD NUMBER		VIN (2NVY/4RKY...)		QTY
		FROM	TO	FROM	TO	
Durham Region Transit Ontario - Metrolinx	L872	8551	8553	L82J0F3001523	L82J4F3001525	3
Durham Region Transit Ontario - Metrolinx	L888	8554	8559	L82J2F3001703	L82J1F3001708	6
Durham Region Transit Ontario - Metrolinx	L996	8560	8563	L82J1G3750414	L82J7G3750417	4
Durham Region Transit Ontario - Metrolinx	LA19	8564	8565	L82J9G3750418	L82J0G3750419	2
Durham Region Transit Ontario - Metrolinx	LA50	8566	8578	L82JXH3750901	L82J1H3750916	13
Durham Region Transit Ontario - Metrolinx	LB11	8579	8589	L82J2H9776354	L82J0H9776367	11
Durham Region Transit Ontario - Metrolinx	LB36	6100	6112	L82J2J3751417	L82J7J3751431	13
Durham Region Transit Ontario - Metrolinx	LB60	7100	7103	L82J5J3751539	L82J5J3751542	4
Durham Region Transit Ontario - metrolinx	LC36	6113	6116	L82J2K3752102	L82J8K3752105	4
Durham Region Transit Ontario - Metrolinx	LC62	9100	9105	S92J7L3752333	S92J6L3752338	6
Fredericton - New Brunswick	L672	8111	8112	L82U0B3000540	L82U2B3000541	2
Fredericton - New Brunswick	L688	8113	8113	L82U8C3000643	L82U8C3000643	1
Fredericton - New Brunswick	L774	8131	8131	L82U7D3000960	L82U7D3000960	1
Fredericton - New Brunswick	L812	—	—	L82J4E3001202	L82J4E3001202	1
Fredericton - New Brunswick	L836	8143	8143	L82J9E3001390	L82J9E3001390	1
Fredericton - New Brunswick	L901	8151	8151	L82J7F3001602	L82J7F3001602	1
Fredericton - New Brunswick	L968	8161	8162	L82J1G3750218	L82J3G3750219	2
Fredericton - New Brunswick	LA15	8171	8174	L82J1H3750589	L82J1H3750592	4
Fredericton - New Brunswick	LA33	8181	8184	L82J6H3750944	L82J1H3750947	4
Grand River Transit - GRT - Ontario	L464	20901	20913	L82U193000296	L82U493000308	13
Grand River Transit - GRT - Ontario	L560	21001	21009	L82U2A3000246	L82U1A3000254	9
Grand River Transit - GRT - Ontario	L599	21116	21118	L82X9B3000465	L82X2B3000467	3
Grand River Transit - GRT - Ontario	L631	21119	21121	L82X4B3000468	L82X2B3000470	3
Grand River Transit - GRT - Ontario	L633	21101	21115	L82U7B3000289	L82U8B3000303	15
Grand River Transit - GRT - Ontario	L668	21201	21220	L82U6C3000737	L82UXC3000756	20
Grand River Transit Ontario - GRT	LC52	21901	21912	L82J1K9777289	L82J3K9777309	12
Grande Prairie Alberta	L834	—	—	L82J7E3001386	L82J2E3001389	4
Greater Toronto Airports Authority - GTAA - Ontario	L432	432-1	432-1	L82U793000061	L82U793000061	1
Greater Toronto Airports Authority - GTAA - Ontario	L477	L477-1	L477-1	L82U194000001	L82U194000001	1
Greater Toronto Airports Authority - GTAA - Ontario	L616	—	—	L82U4C4500001	L82U4C4500001	1
Guelph - Ontario	L579	221	224	L82UXA3000401	L82U5A3000404	4
Guelph - Ontario	L669	225	228	L82U9B3000536	L82U4B3000539	4
Guelph - Ontario	L715	234	235	L82U3C3000792	L82U5C3000793	2
Guelph - Ontario	L767	237	239	L82UXD3000967	L82U3D3000969	3
Guelph - Ontario	L835	240	243	L82J0E3001391	L82J6E3001394	4
Guelph - Ontario	L927	244	247	L82J1F3001756	L82J9F3001763	4
Guelph - Ontario	L985	248	251	L82J7G3750255	L82J2G3750258	4
Guelph - Ontario	LA54	252	275	L82J1H3750849	L82J0H3750891	24
Guelph Ontario	LC88	276	280	L82J8L3752378	L82JXL3752382	5
Halifax - Nova Scotia	L558	717	731	S92UXA3000293	S92U6A3000307	15
Halifax - Nova Scotia	L613	732	741	S92UXB3000019	S92UXB3000028	10
Halifax - Nova Scotia	L693	526	534	L82U8C3000657	L82U7C3000665	9
Halifax - Nova Scotia	L708	742	761	S92UXC3000782	S92U3C3000803	20
Halifax - Nova Scotia	L710	1160	1161	L82U7C3000780	L82U9C3000781	2

CLIENT	ORDER	ROAD NUMBER		VIN (2NVY/4RKY...)		QTY
		FROM	TO	FROM	TO	
Halifax - Nova Scotia	LA11	1208	1236	L82J1G9775579	L82J4G9775608	29
Halifax - Nova Scotia	LA14	1237	1237	L82J1G9775596	L82J1G9775596	1
Halifax - Nova Scotia	LA27	1238	1276	L82J5H9775778	L82J9H9775816	39
Halifax - Nova Scotia	LB61	1277	1284	L82J9J9776664	L82J6J9776671	8
Halifax - Nova Scotia	LB70	1285	1299	L82J4J9776829	L82J9J9776843	15
Halifax Nova Scotia	LC11	1300	1334	L82JXK9777310	L82J5K9777344	35
Hamilton - Ontario - Metrolinx	L885	1501	1524	L82K3F4501093	L82K0F4501214	24
Hamilton - Ontario - Metrolinx	L956	1601	1632	L82K2G9775325	L82K3G9775415	32
Hamilton - Ontario - Metrolinx	LA05	1633	1643	L82K4G9775553	L82K7G9775577	11
Hamilton - Ontario - Metrolinx	LA63	1701	1719	L82K5J9776430	L82K5J9776461	30
Kings Transit - Nova Scotia	L581	—	—	L82U2B3000054	L82U2B3000054	1
Kingston - Ontario	LB34	1821	1841	L82J3J3751412	L82J0J3751416	5
Kingston - Ontario Metrolinx	L880	1502	1502	L82JXF3001786	L82JXF3001786	1
Kingston - Ontario Metrolinx	L889	1687	1689	L82J1G3750252	L82J5G3750254	3
Kingston - Ontario Metrolinx	L925	1504	1510	L82J5F3001808	L82J5F3001811	4
Kingston - Ontario Metrolinx	L954	1683	1686	L82J4G3750259	L82J4G3750262	4
Kingston - Ontario Metrolinx	LA59	1803	1818	L82JXH3750932	L82J4H3750943	11
Kingston - Ontario Metrolinx	LA60	1825	1837	L82J7H3750922	L82J8H3750931	6
Kingston Ontario - metrolinx	LB68	1901	1901	L82J1K3751913	L82J1K3751913	1
Kingston Ontario - metrolinx	LB69	1920	1951	L82J3K3751914	L82J0K3751918	5
Krapf's Coaches - Pennsylvania (ref. L833)	L754	—	—	L82U4D4500405	L82U4D4500405	1
Lethbridge - Alberta	L489	165	169	L82U493000454	L82U193000458	5
Lethbridge - Alberta	L868	—	—	L82J2F3001510	L82J2F3001510	1
Lethbridge - Alberta	L997	181	186	L82J5G9775570	L82JXG9775578	6
Lethbridge - Alberta	LA91	189	192	L82J3J9776580	L82J9J9776583	4
Lethbridge Alberta	LB95	193	198	L82J1K3751894	L82J0K3751899	6
Milton - Ontario	LB33	1804	1804	L82J7J3751543	L82J7J3751543	1
Milton - Ontario - Metrolinx	L884	1701	1702	L82J0G3750338	L82J2G3750339	2
Milton - Ontario - Metrolinx	LA51	1801	1803	L82J3H3750917	L82J7H3750919	3
Milton Ontario - Metrolinx	LC71	1901	1902	L82J1K3752270	L82J3K3752271	2
Mississauga Ontario	LA64	1730	1766	L82J2H9776077	L82J7H9776253	37
Mississauga Ontario	LA65	1770	1799	S92J8H9776254	S92J2H9776315	30
Mississauga Ontario	LB12	1801	1812	L82J9J9776714	L82J3J9776725	12
Mississauga Ontario	LC26	1901	1910	L82L9K3751966	L82LXK3751975	10
Moncton (Codiac) - New Brunswick	L358	358-1	358-1	L82U093000001	L82U093000001	1
Moncton (Codiac) - New Brunswick	L361	361-1	361-1	L82U293000002	L82U293000002	1
Moncton (Codiac) - New Brunswick	L569	—	—	L82U4B4000001	L82U4B4000001	1
Moncton (Codiac) - New Brunswick	L570	—	—	L82U6B4000002	L82U6B4000002	1
Moncton (Codiac) - New Brunswick	LA06	—	—	L82J3G9775552	L82JXG9775564	9
Moncton (Codiac) - New Brunswick	LA42	—	—	L82J8H9776066	L82J0H9776076	11
Moncton (Codiac) - New Brunswick	LA58	—	—	L82J2J9776389	L82J2J9776389	1
Moncton (Codiac) - New Brunswick	LB84	N/A	N/A	L82J3K9777004	L82J3K9777004	1
Niagara Falls - Ontario	L499	2986	2989	L82U093000564	L82U693000567	4
Niagara Falls - Ontario	L652	—	—	S92U3C3000607	S92U6C3000617	11

CLIENT	ORDER	ROAD NUMBER		VIN (2NVY/4RKY...)		QTY
		FROM	TO	FROM	TO	
Niagara Falls - Ontario	L653	—	—	L82U9C3000618	L82U9C3000621	5
Niagara Falls - Ontario	L771	1396	1397	L82U9D3000958	L82U0D3000959	2
Niagara Falls - Ontario	L987	1601	1604	L82J6G3750344	L82J1G3750347	4
Niagara Falls Ontario - 60' metrolinx	LB98	1935	1936	S92J9K3752106	S92J0K3752107	2
Niagara Falls Ontario - 60' metrolinx	LC61	1937	1938	S92J2K3752108	S92J4K3752109	2
Niagara Falls Ontario - Metrolinx	LA97	1805	1808	L82J0J3750993	L82J6J3750996	4
Niagara Falls Ontario - Metrolinx	LA98	1809	1810	S92J7J3751003	S92J9J3751004	2
Niagara Falls Ontario - Metrolinx	LB13	1811	1811	L82J8J3750997	L82J8J3750997	1
Niagara Falls Ontario - metrolinx	LC89	1930	1934	L82J2L9777528	L82J4L9777532	5
Niagara Parks Commission - Ontario	L656	—	—	L82U0C3000653	L82U2C3000654	2
Niagara Parks Commission - Ontario	L685	—	—	S92U9C3000644	S92U8C3000652	9
North Bay - Ontario	L895	784	785	L82J7F3001678	L82J9F3001679	2
North Bay - Ontario	L979	786	787	L82J4G3750312	L82J6G3750313	2
North Bay - Ontario	LB48	788	790	L82J7J3751395	L82J0J3751397	3
North Bay Ontario - metrolinx	LC38	792	793	L82J3K3752092	L82J7K3752094	2
Oakville - Ontario	LB93	—	—	L82J3K3751749	L82J5K3751753	5
Oakville Ontario	LC57	—	—	L82J6K3752121	L82J5K3752126	6
Oakville Ontario - Metrolinx	L874	—	—	L82J6F3001526	L82JXF3001531	6
Oakville Ontario - Metrolinx	L881	—	—	L82J2F3001717	L82J8F3001740	5
Oakville Ontario - Metrolinx	L945	-	-	L82J9G3750211	L82JXG3750217	7
Oakville Ontario - Metrolinx	LA55	—	—	L82J6H3750880	L82J5H3750885	6
Orillia Ontario - Metrolinx	L965	1722	1724	L82J3G3750320	L82J7G3750322	3
Orillia Ontario - Metrolinx	LA61	1825	1826	L82J2J3751031	L82J4J3751032	2
Ottawa - Carleton Regional Transit Co. - O.C. - metrolinx	LC67	4683	4736	L82J7K3752127	L82J4K3752182	54
Ottawa - OC transpo	LB80	4601	4609	L82J0J3751576	L82J3J3751586	9
Ottawa - OC transpo	LC16	4610	4682	L82J7K3751771	L82JXK3751912	73
Ottawa - OC transpo - metrolinx	LC68	4737	4755	L82J0K9777428	L82J3K9777472	39
Peterborough - Ontario	L490	—	—	L82UX93000345	L82U593000348	4
Peterborough - Ontario	L770	55	60	L82U0D3000993	L82UXD3000998	6
Peterborough - Ontario	L870	61	63	L82JXF3001612	L82J3F3001614	3
Peterborough - Ontario	L919	64	66	L82J6F3001767	L82JXF3001769	3
Peterborough - Ontario	L966	67	71	L82J2G3750230	L82JXG3750234	5
Peterborough - Ontario	LA41	7217	7617	L82J1H3750706	L82J3H3750710	5
Peterborough - Ontario	LB20	7819	8019	L82J2K3751919	L82J0K3751921	3
Red Deer - Alberta	L726	—	—	L82UXC3000840	L82U1C3000841	2
Red Deer - Alberta	L766	1104	1105	L82U7D3001025	L82U9D3001026	2
Red Deer - Alberta	L772	1106	1108	L82J2E3001120	L82J6E3001122	3
Red Deer - Alberta	L813	10008	10009	L82J2E3001361	L82J4E3001362	2
Red Deer - Alberta	L869	—	—	L82J9F3001570	L82J0F3001571	2
Red Deer - Alberta	L924	10104	10147	L82K0G9775517	L82KXG9775542	12
Red Deer - Alberta	L926			L82J2F3001796	L82J4F3001797	2
Red Deer - Alberta	L960	10021	10025	L82K9G9775418	L82K3G9775429	5
Red Deer - Alberta	LB25	10074	10084	L82K5J9776525	L82K8J9776535	10

CLIENT	ORDER	ROAD NUMBER		VIN (2NVY/4RKY...)		QTY
		FROM	TO	FROM	TO	
Regina - Saskatchewan	L356	356-1	356-1	L82U883000150	L82U883000150	1
Regina - Saskatchewan	L360	—	—	L82U283000290	L82U283000290	1
Regina - Saskatchewan	L476	625	628	L82U893000313	L82U393000316	4
Regina - Saskatchewan	L561	631	644	L82U8B4000003	L82UXB4000018	14
Regina - Saskatchewan	L639	645	654	L82U1B3000336	L82U2B3000345	10
Regina - Saskatchewan	L748	655	662	L82U3D3000874	L82U0D3000881	8
Regina - Saskatchewan	L776	663	669	L82U4D3001001	L82U5D3001007	7
Regina - Saskatchewan	L807	671	685	L82J8E3001137	L82J2E3001151	15
Regina - Saskatchewan	L892	686	691	L82J5F3001484	L82J4F3001489	6
Regina - Saskatchewan	L949	692	696	L82J3G3750205	L82J0G3750209	5
Regina - Saskatchewan	L992	-	-	L82J6G3750294	L82J3G3750298	5
Regina - Saskatchewan	LA44	814	829	L82J0H3750776	L82J7H3750791	16
Regina - Saskatchewan	LA66	833	836	L82J0J3751612	L82J6J3751615	4
Regina - Saskatchewan	LB16	830	830	L82J0H3750793	L82J0H3750793	1
Regina - Saskatchewan	LB17	831	831	L82J2H3750794	L82J2H3750794	1
Regina - Saskatchewan	LB18	832	832	L82J4H3750795	L82J4H3750795	1
Sarnia Ontario	L873	151	152	L82J0F3001599	L82J0F3001600	2
Sarnia Ontario	L883	153	153	L82J4G3750021	L82J4G3750021	1
Sarnia Ontario	L963	162	162	L82J7G3750305	L82J7G3750305	1
Sarnia Ontario	LA36	171	172	L82J8H3750752	L82JXH3750753	2
Saskatoon - Saskatchewan	L359	—	—	S92U583000289	S92U583000289	1
Saskatoon - Saskatchewan	L551	1005	1007	S92UXA3000178	S92U8A3000180	3
Saskatoon - Saskatchewan	L568	—	—	S92U9B3000013	S92U9B3000013	1
Saskatoon - Saskatchewan	L618	—	—	S92U1C3000377	S92U1C3000377	1
Saskatoon - Saskatchewan	L690	1201	1204	L82U6C3000690	L82U1C3000693	4
Saskatoon - Saskatchewan	L831	1401	1405	L82J7E3001307	L82J9E3001311	5
Saskatoon - Saskatchewan	L894	1501	1510	L82J0F3001490	L82J7F3001499	10
Saskatoon - Saskatchewan	L953	1601	1610	L82J9G3750158	L82JXG3750167	10
Saskatoon - Saskatchewan	LA29	1701	1711	L82J7H9775846	L82JXH9775856	11
Saskatoon - Saskatchewan	LA92	1718	1732	L82J0H9776319	L82J8H9776343	15
Saskatoon - Saskatchewan	LB73	1901	1907	L82J6K9776977	L82J1K9776983	7
Sault Ste. Marie Ontario	L934	—	—	L82JXG3750038	L82JXG3750038	1
Sault Ste. Marie Ontario	LC06	—	—	L82J3K3751900	L82J5K3751901	2
Sault Ste-Marie Transit Services - Ontario (ref. L751)	L754	—	—	L82U7D4500284	L82U7D4500284	1
St. Catharines Ontario - Metrolinx	L879	1501	1504	L82J4F3001587	L82J4F3001590	4
St. Catharines Ontario - Metrolinx	L882	1601	1605	L82J9G3750225	L82J9G3750229	5
St. Catharines Ontario - Metrolinx	L898	1560	1560	S92J4F3001663	S92J4F3001663	1
St. Catharines Ontario - Metrolinx	LA62	1801	1813	L82J8J3751034	L82J4J3751046	13
St. Catharines Ontario - Metrolinx	LB06	1860	1862	S92J1J3751000	S92J5J3751002	3
St. Catharines Ontario - Metrolinx	LB09	1740	1740	L82J6J3751033	L82J6J3751033	1
St. Catharines Ontario - metrolinx	LC84	2040	2043	L82J6L9777533	L82J1L9777536	4
St. John - New Brunswick	L272	—	—	S92U483000011	S92U483000011	1
St. John - New Brunswick	L273	—	—	S92U383000050	S92U383000050	1
St. John - New Brunswick	L871	40585	40586	L82J8F3001592	L82JXF3001593	2

CLIENT	ORDER	ROAD NUMBER		VIN (2NVY/4RKY...)		QTY
		FROM	TO	FROM	TO	
St. John - New Brunswick	L939	40687	40687	L82J0G3750078	L82J0G3750078	1
St. John - New Brunswick	LB05	38888	38899	L82J8J3750983	L82J1J3750999	12
St. John's - Newfoundland	L503	1066	1066	L82U4A3000071	L82U4A3000071	1
St. John's - Newfoundland	L687	1201	1209	L82U7C3000598	L82U2C3000606	9
St. John's - Newfoundland	L731	1310	1314	L82U3C3000842	L82U2C3000847	5
St. John's - Newfoundland	L808	1415	1419	L82J4E3001152	L82J1E3001156	5
St. John's - Newfoundland	L875	1520	1525	L82JXF3001478	L82J3F3001483	6
St. John's - Newfoundland	L930	1626	1630	L82J7F3001826	L82J9F3001830	5
Stratford - Ontario	L493	—	—	L82U2A3000019	L82U2A3000019	1
Stratford - Ontario	L634	—	—	L82UXB3000352	L82UXB3000352	1
Stratford - Ontario	L752	—	—	L82U9D3000863	L82U9D3000863	1
Stratford - Ontario	L893	—	—	L82J9F3001584	L82J0F3001585	2
Stratford - Ontario	LB19	—	—	L82J3J3751183	L82J5J3751184	2
Strathcona County Transit - Alberta	L523	2010	2010	L82U693000603	L82U693000603	1
Strathcona County Transit - Alberta	L524	3005	3010	L82X593000604	L82X493000609	6
Strathcona County Transit - Alberta	L580	2011	2023	L82U1A3000464	L82U8A3000476	13
Strathcona County Transit - Alberta	L659	2024	2028	L82U7B3000440	L82U4B3000444	5
Sudbury - Ontario	L465	791	795	L82U593000317	L82U793000321	5
Sudbury - Ontario	L552	801	808	L82U3A3000238	L82U0A3000245	8
Sudbury - Ontario	L632	811	817	L82U9B3000326	L82U4B3000332	7
Sudbury - Ontario	L740	831	833	L82U1D3000887	L82U5D3000889	3
Sudbury - Ontario	L890	851	855	L82JXF3001609	L82J6F3001641	5
Sudbury - Ontario	L994	861	865	L82J1G3750364	L82J9G3750368	5
Sudbury - Ontario	LA46	871	873	L82J1H3750821	L82J5H3750823	3
Sudbury - Ontario	LB27	881	883	L82J9J3751382	L82J2J3751384	3
Thunder Bay - Ontario	L488	—	—	L82U193000332	L82U593000334	3
Thunder Bay - Ontario	L614	—	—	L82UXB3000061	L82U3B3000063	3
Thunder Bay - Ontario	L662	20168	20168	L82U3B3000533	L82U7B3000535	3
Thunder Bay - Ontario	L739	—	—	L82U3D3000860	L82U7D3000862	3
Thunder Bay - Ontario	L806	—	—	L82J6E3001170	L82J8E3001171	2
Thunder Bay - Ontario	L863	—	—	L82J8F3001558	L82J6F3001560	3
Thunder Bay Ontario - Metrolinx	L944	—	—	L82J6G3750084	L82JXG3750086	3
Thunder Bay Ontario - Metrolinx	LA01	—	—	L82J5H3750448	L82J7H3750449	2
Thunder Bay Ontario - Metrolinx	LA57	—	—	L82J8H3750895	L82J8H3750928	12
Timmins - Ontario	L475	—	—	L82U493000311	L82U693000312	2
Timmins - Ontario	L550	—	—	L82U8A3000171	L82UXA3000172	2
Timmins - Ontario	L661	—	—	L82U9B3000486	L82U9B3000486	1
Timmins - Ontario	L720	12-98	12-98	L82U0C3000829	L82U0C3000829	1
Timmins - Ontario	L783	—	—	L82U8D3001017	L82UXD3001018	2
Timmins - Ontario	L839	—	—	L82J8E3001395	L82J8E3001395	1
Timmins - Ontario	L995	-	-	L82JXG3750377	L82JXG3750377	1
Timmins Ontario	LB07	—	—	L82J1J3751005	L82J3J3751006	2
Timmins Ontario	LC02	—	—	L82JXK3751926	L82JXK3751926	1

CLIENT	ORDER	ROAD NUMBER		VIN (2NVY/4RKY...)		QTY
		FROM	TO	FROM	TO	
Vancouver Airport Authority - YVR British Columbia	L856	705	706	L82LXH3750530	L82L1H3750531	2
Vancouver Airport Authority - YVR British Columbia	L912	173	178	L82L5F3001812	L82L4F3001817	6
Welland Ontario - Metrolinx	L866			L82J9F3001648	L82J9F3001648	1
Welland Ontario - Metrolinx	L933	—	—	L82J1G3750011	L82J1G3750011	1
Welland Ontario - Metrolinx	L991	-	-	L82J9G3750287	L82J9G3750287	1
Welland Ontario - Metrolinx	LA52	—	—	L82J2H3750911	L82J4H3750912	2
Welland Ontario - Metrolinx	LA93	—	—	L82J6H3750913	L82J6H3750913	1
Welland Ontario - metrolinx	LC19	—	—	L82J2K3751922	L82J4K3751923	2
Welland Ontario - metrolinx	LC37	—	—	L82J6K3751924	L82J8K3751925	2
Welland Ontario - metrolinx	LC85	—	—	L82J0L9777527	L82J0L9777527	1
Whitehorse - Yukon	L563	38	41	L82U3A3000255	L82U9A3000258	4
Whitehorse - Yukon	L784	43	43	L82U9D3001057	L82U9D3001057	1
Whitehorse - Yukon	LA04	—	—	L82J2G3750390	L82J4G3750391	2
Whitehorse - Yukon	LB03	—	—	L82J9H9776352	L82J0H9776353	2
Windsor - Ontario	LB24	8025	8026	L82JXJ3751424	L82J1J3751425	2
Windsor Ontario - Metrolinx	L886	570	577	L82J8F3001818	L82J5F3001825	8
Windsor Ontario - Metrolinx	LA56	578	601	L82J5J3751007	L82J0J3751030	24
Windsor Ontario - metrolinx	LC21	8027	8045	L82J3L9777540	L82J0L9777558	19
Woodstock - Ontario	L460	—	—	L82U693000309	L82U693000309	1
Woodstock - Ontario	L492	—	—	L82U4A3000040	L82U6A3000041	2
Woodstock - Ontario	L778	—	—	L82U2D3001014	L82U2D3001014	1
Woodstock - Ontario	L832	—	—	L82J9E3001342	L82J9E3001342	1
Woodstock - Ontario	L923	15-16	15-16	L82J9F3001746	L82J9F3001746	1
Woodstock - Ontario	LA08	17-08	17-08	L82J3H3750514	L82J3H3750514	1
Woodstock - Ontario	LB04	18-04	18-14	L82J3H9776363	L82J5H9776364	2
York Regional Transit - Ontario	L562	1080	1082	S92U2A3000420	S92U6A3000422	3
York Regional Transit - Ontario	L572	1083	1094	S92U3A3000569	S92U2A3000580	12
York Regional Transit - Ontario	L654	1370	1390	S92U1D3000946	S92U2D3000986	21
York Regional Transit - Ontario	L761	1391	1396	S92U6D3001008	S92UXD3001013	6
York Regional Transit - Ontario	L896	1501	1517	L82J2F3001619	L82JXF3001741	17
York Regional Transit - Ontario	L936	1518	1518	L82J3G3750012	L82J3G3750012	1
York Regional Transit - Ontario	L964	1770	1774	S92J6G3750420	S92J3G3750424	5
York Regional Transit - Ontario	L967	1601	1621	L82J2G9775414	L82J8G9775627	21
York Regional Transit - Ontario	LA07	1701	1715	L82J9G3750340	L82JXG3750363	15
York Regional Transit Ontario	LC74	1921	1922	L82M7K3752199	L82MXK3752214	2
York Regional Transit Ontario LFX 60'	LC24	1971	1980	S92J0K3752110	S92J3K3752120	10

**WARNING**

FOLLOW YOUR INTERNAL SAFETY PROCEDURES.

THIS PROCEDURE IS APPLICABLE ONLY IF A CRACK IS PRESENT IN THE ZONE NEAR THE REAR AXLE RADIUS ROD ANCHOR POINT. IT IS IMPORTANT TO REPAIR ONLY THE SIDE OF THE REAR WHEELHOUSE AFFECTED BY A STRUCTURAL CRACK.

PROCEDURE

PROCEDURE TO REMOVE PARTS IN THE REAR WHEEL HOUSE AND TO CLEAN THE AREA TO REPAIR

- 1.1. Place the vehicle on a plane surface and set the **BATTERY DISCONNECT SWITCH** to **OFF** position.
- 1.2. Raise the vehicle.
- 1.3. Install jack stand under the vehicle to secure the work to be performed under the vehicle.
- 1.4. Purge all the air from the system, by opening all the drain valve of the pneumatic system.

**CAUTION**

For information on lifting and lowering the vehicle, refer to section 18: *HOISTING AND TOWING* of the Nova Bus maintenance manual. Respect your current internal safety procedures. Use appropriate hoisting equipment for your protection and to prevent damage to the vehicle.

- 1.5. Remove the wheels from rear axle.
- 1.6. If installed, remove the rear stabilizer bar. Retain the stabilizer bar and hardware. See Figure 1.
- 1.7. Remove the front air spring on the rear axle according to rubric **REMOVAL** of section **05 : AIR SPRING AND REAR SUSPENSION**. See Figure 1.

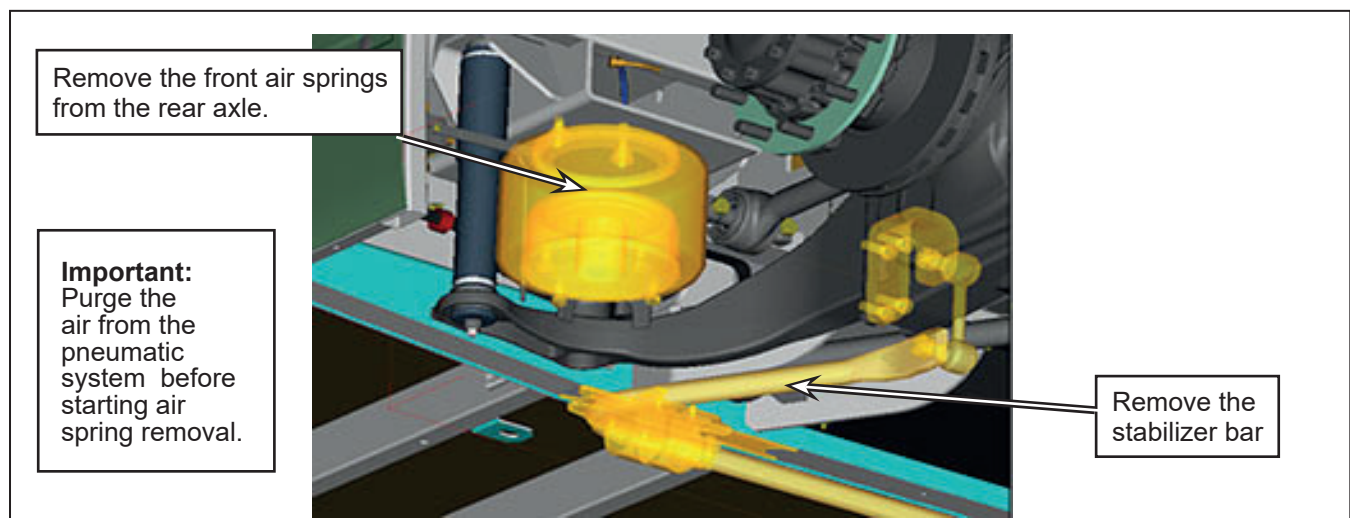


Figure 1 - Pneumatic Spring and Stabilizer Bar

- 1.8. Remove the lower radius rods and note the number of shims installed on each anchor bolts and their position. Reserved the radius rod, the shim and the hardware. See Figure 2.

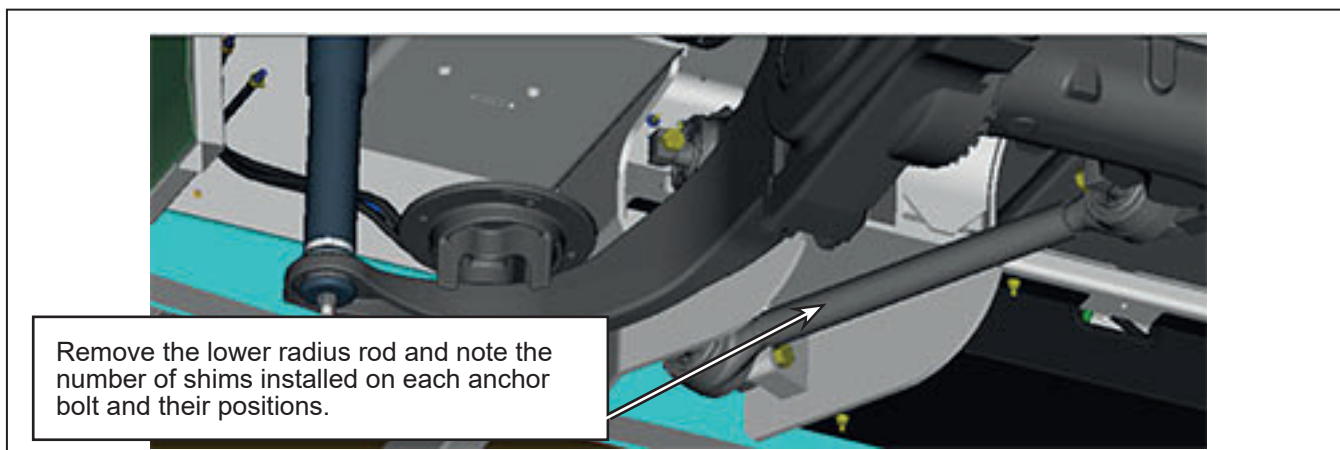


Figure 2 - Lower Radius Rod

- 1.9. Remove the front mud flaps of the rear wheelhouses. Retain the mud flaps and hardware. See Figure 3.

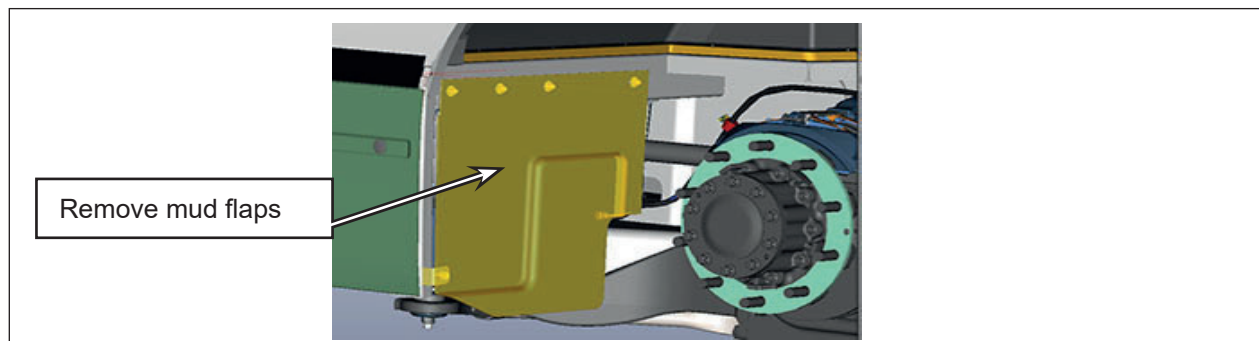


Figure 3 - Mud Flaps

- 1.10. Disconnect and move away the electrical harnesses and the pneumatic hoses from the area where the welding will be performed. See Figure 4.

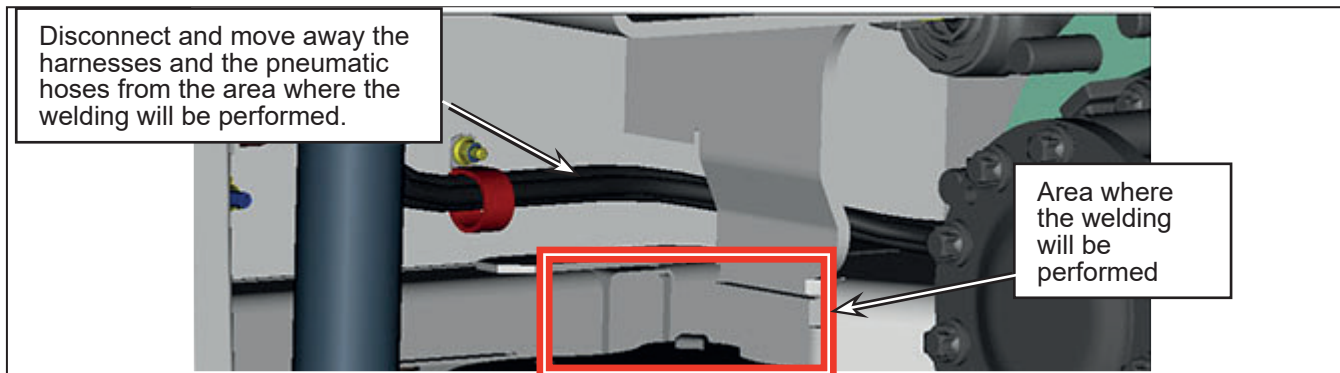


Figure 4 - Electrical Harnesses and Pneumatic Hoses to move

**NOTE**

In order to maintain the corrosion resistance of the stainless steel, respect the heading **CONTAMINATION** of the maintenance manual section 01: **STAINLESS STEEL CHASSIS**.

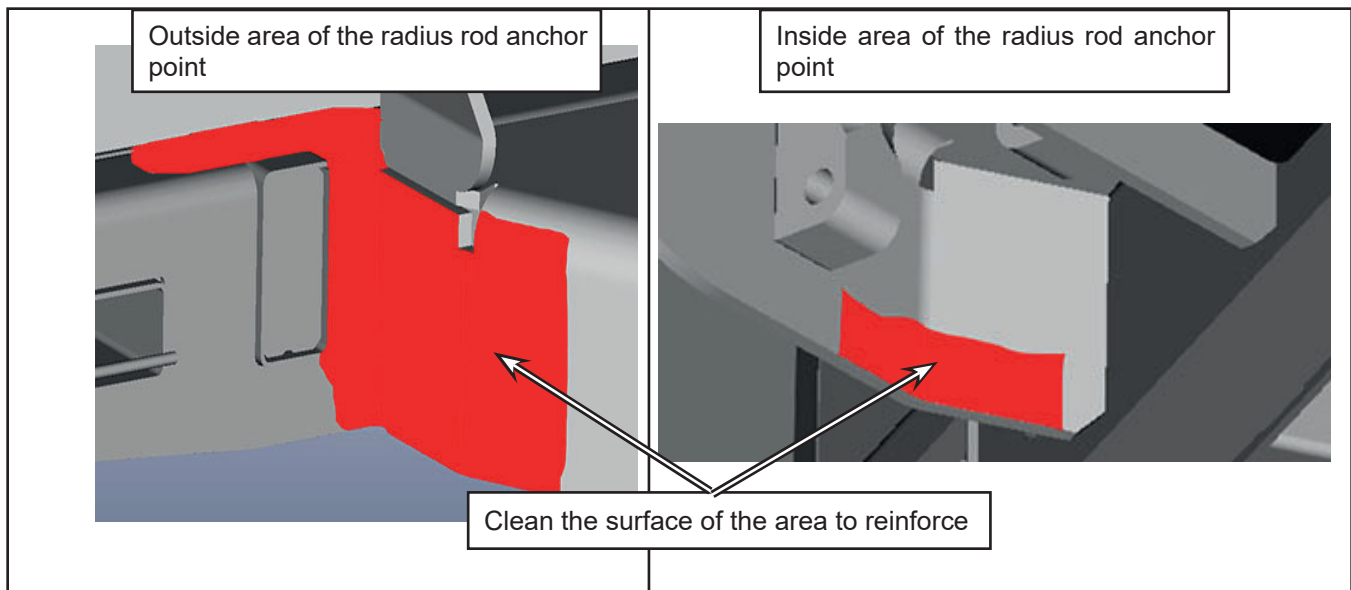
**CAUTION**

Prior to sanding stainless steel structure refer to heading **CLEANING** of the maintenance manual section 01: **STAINLESS STEEL CHASSIS**.

**CAUTION**

Microprocessor-based control modules are extremely sensitive to voltage surges, such as those that can occur during electric-arc welding, or plasma cutting of any kind, anywhere on the vehicle. Before attempting any electric-arc welding, or plasma cutting, disconnect both 12 volt and 24 volt power at the battery compartment switches and all control modules to prevent damage to their components. For more information refer to heading **WELDING PROCEDURE** of maintenance manual section 01: **STAINLESS STEEL CHASSIS**.

- 1.11. Clean the surface of the area to be reinforce. See red area in Figure 5.
- 1.12. Grind any protuberance welding residue in the area where the reinforcement plate will be installed on the street and curb side. See Figure 5.



- 1.13. If a crack is present in the cleaned zone, drill a stop hole of 3 mm (1/8 in.) at both end of the crack. If the crack end at an extremity of a structural part, do not drill this end. See Figure 6.
- 1.14. If a crack is present on the beam under the reinforcement plate N99784 (see figure 7) remove the plate, repair the crack and install a new N99784 plate.

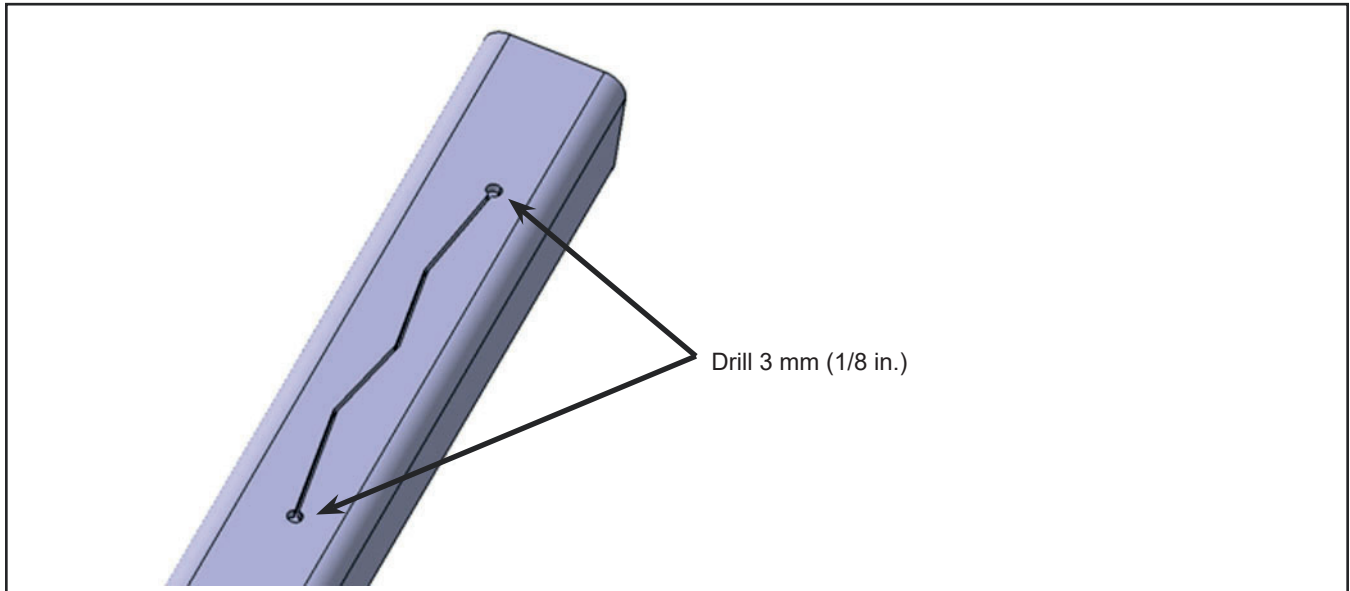


Figure 6 - Typical Crack Drilled at Both Extremities

- 1.15. Weld the crack starting at one of the stop holes till the middle of the crack. Start a new weld pass starting at the other stop hole or the edge of the part up to the end of the other welding bead.
- 1.16. If the crack is in one of the zones being reinforced, grind the welding beads until a flat plane surface is achieved.

ROAD SIDE WHEELHOUSE REINFORCEMENT PLATES INSTALLATION PROCEDURE

- 1.17. If the vehicle does not have a reinforcement plate on top of the transversal beam, weld the reinforcement plate N99784 on top of the transversal beam. See Figure 7 for positioning.

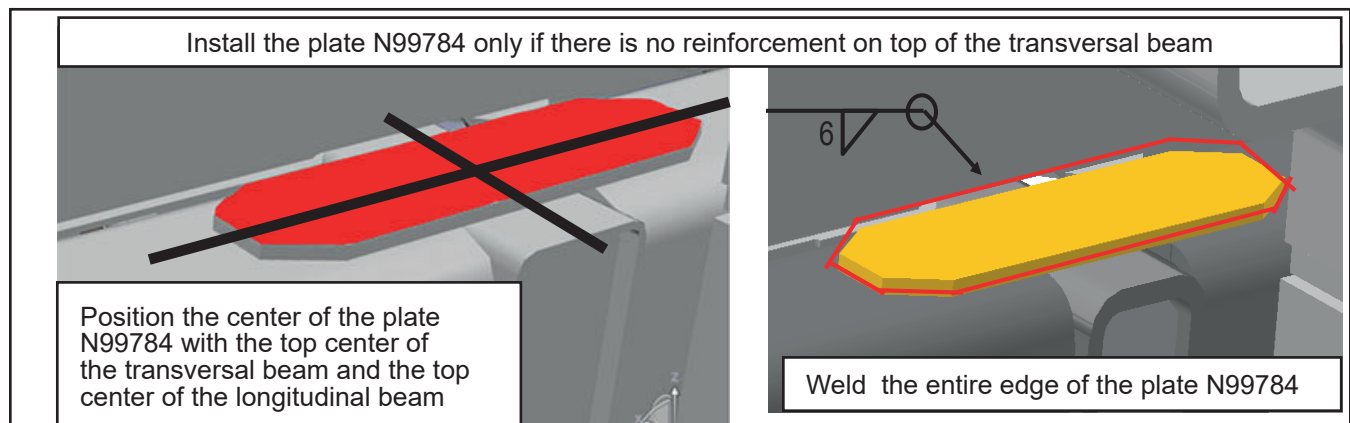


Figure 7 - Plate N99784 Installation

- 1.18. Position the plate N100366 in a way to obtain contact underneath plate N100370. See Figure 8 for positioning.
- 1.19. Weld the plate N100366 respecting the number of weld beads and the area to weld shown in red. See Figure 8.
- 1.20. Drill a 6mm (1/4 in.) hole in the weld bead locate in the lower corner of the plate N100366. See Figure 8.
- 1.21. Position the plate N100370 on top of the plate N99784 in a way to cover the top of plate N100366 corner. See Figure 8.
- 1.22. Weld the plate N100370. See Figure 8.

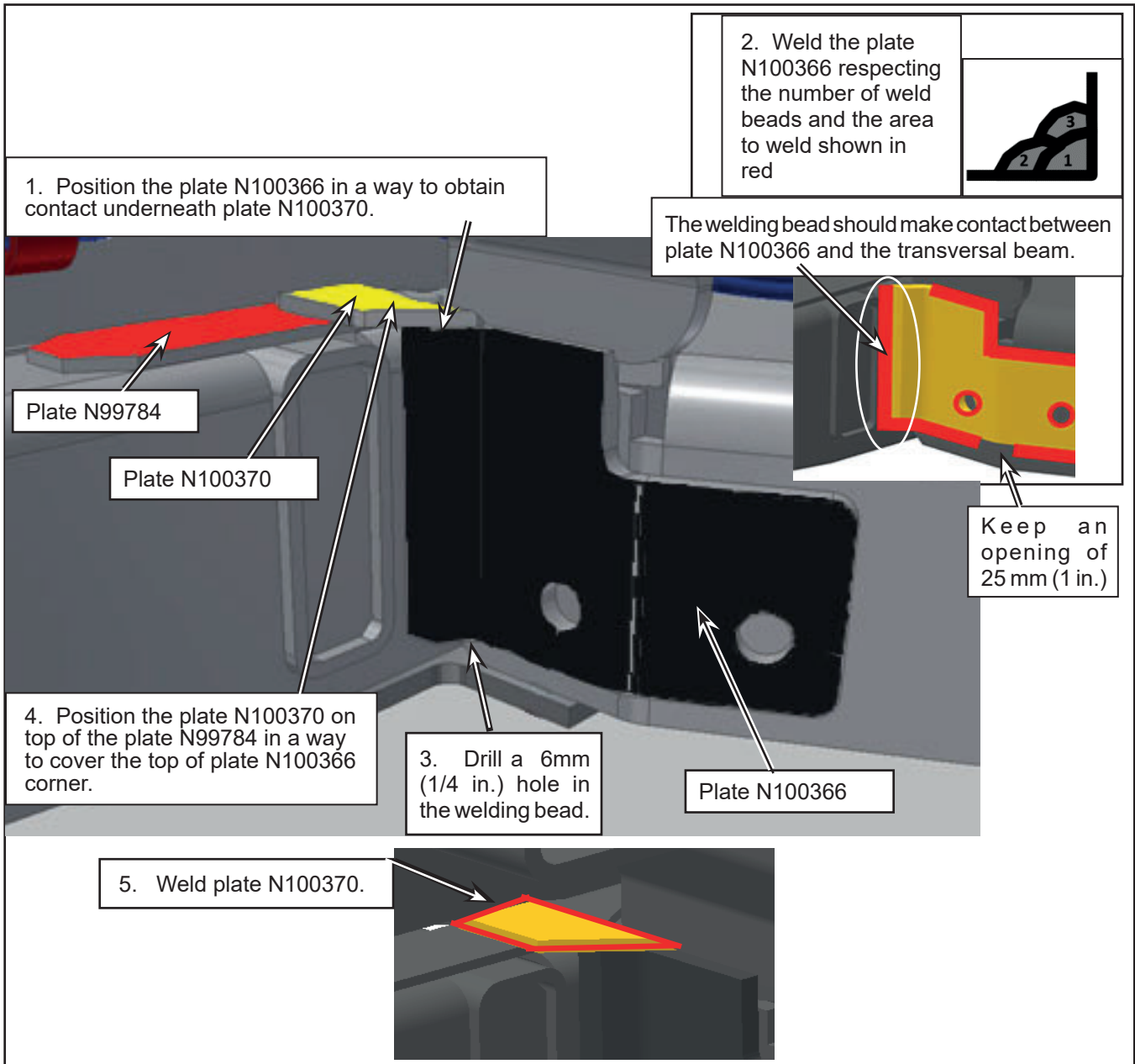


Figure 8 - Position and Welding of the Street Side Reinforcement Plate

- 1.23. Position the plate N100368 inside the radius rod support plate in a way to allow sufficient place to weld the bottom of the plate. See Figure 9.
- 1.24. Weld the plate N100368. See Figure 9.

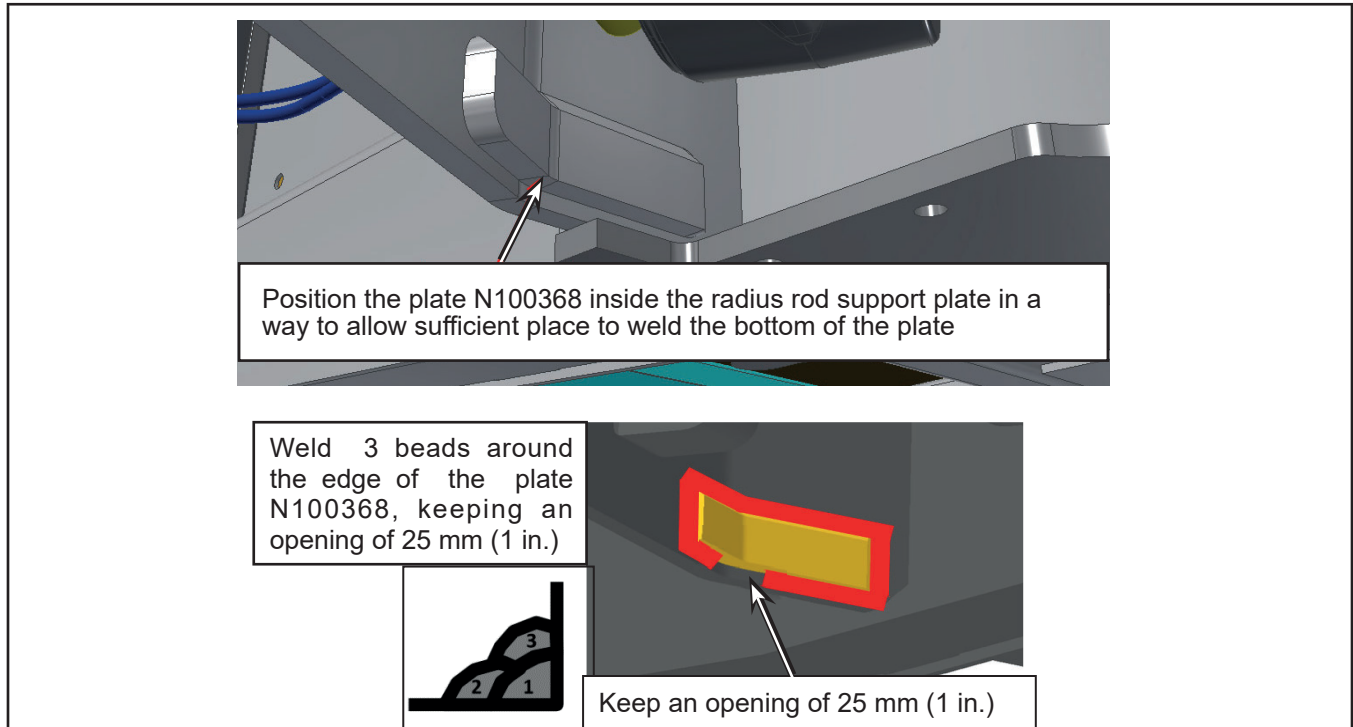


Figure 9 - Position and Welding of Plate N100368

CURB SIDE WHEELHOUSE REINFORCEMENT PLATES INSTALLATION PROCEDURE

- 1.25. If the vehicle did not have a reinforcement plate on top of the transversal beam. Weld the reinforcement plate N99784 on top of the transversal beam. See Figure 10 for positioning.
- 1.26. Position the plate N100367 in a way to obtain contact underneath plate N100371. See Figure 10 for positioning.
- 1.27. Weld the plate N100367 respecting the number of weld beads and the area to weld shown in red. See Figure 10.
- 1.28. Drill a 6mm (1/4 in.) hole in the weld bead located in the lower corner of the plate N100367. See Figure 10.
- 1.29. Position the plate N100371 on top of the plate N99784 in a way to cover the top of plate N100367 corner. See Figure 10.
- 1.30. Weld the plate N100371. See Figure 10.

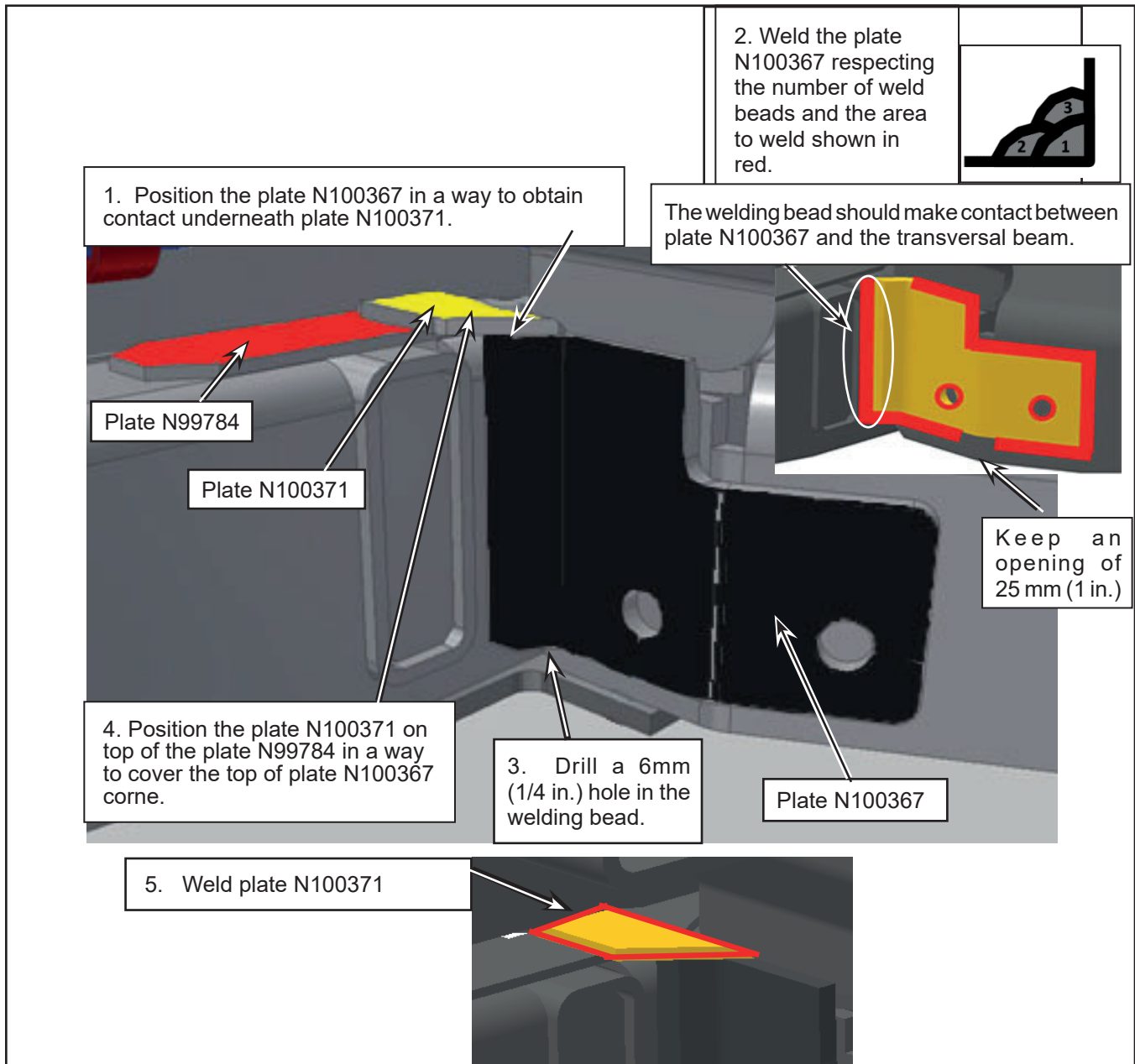


Figure 10 - Position and Welding of the Curb Side reinforcement Plate

- 1.31. Position the plate N100369 inside the radius rod support plate in a way to allow sufficient place to weld the bottom of the plate. See Figure 11.
- 1.32. Weld the plate N100369. See Figure 11.

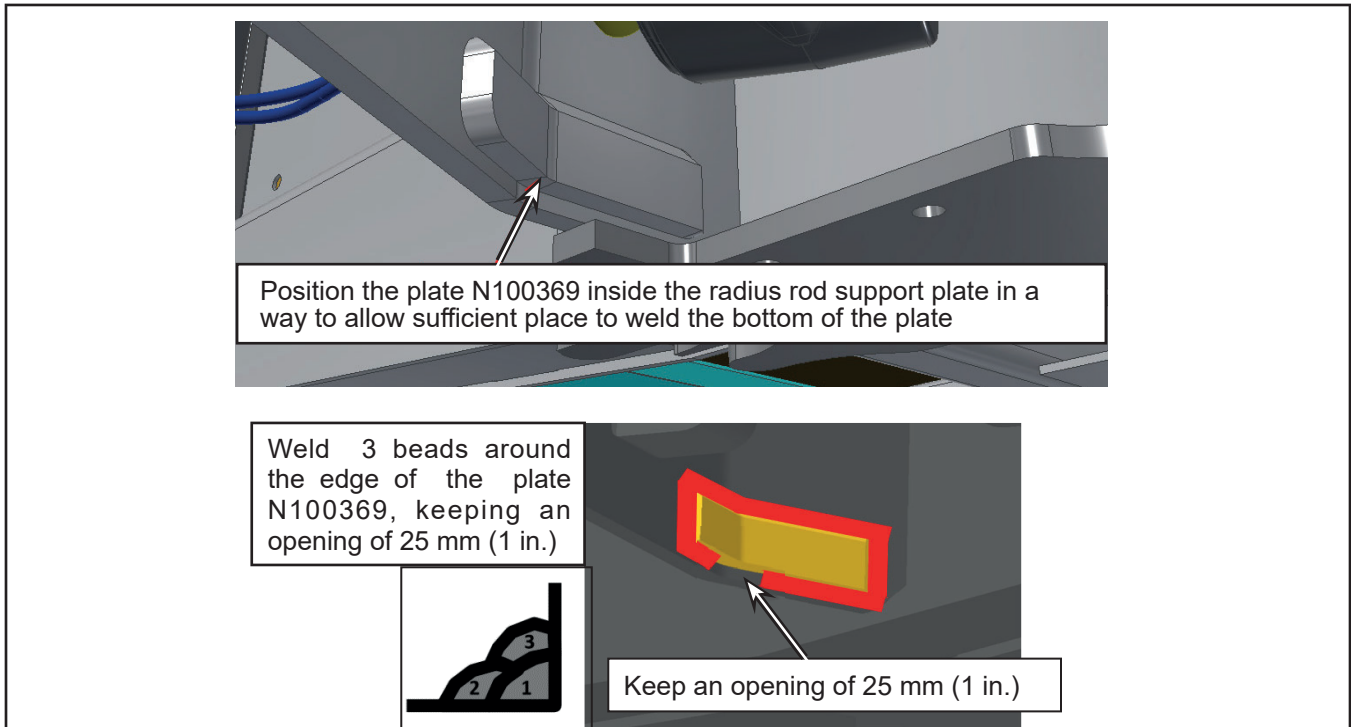


Figure 11 - Position and Welding of Plate N100369

UNDERCOATING APPLICATION PROCEDURE IN THE AREA WHERE THE REINFORCEMENT PLATE HAVE BEEN INSTALLED IN THE REAR WHEELHOUSE

- 1.33. Apply Tectyl undercoating on the clean repaired area and the new reinforcement plate according to heading **GENERAL GUIDELINES FOR APPLYING TECTYL** of section **01: STAINLESS STEEL CHASSIS**

INSTALLATION PROCEDURE OF THE REMOVED PARTS FOR THE INSTALLATION OF THE REINFORCEMENT PLATES

- 1.34. Position and connect the electrical harnesses and the pneumatic hoses.
- 1.35. Install the removed mud flaps using the retained hardware.
- 1.36. If the stabilizer was removed, install the retained stabilizer bar according to the heading **INSTALLATION OF THE STABILIZER BAR** of section **05: REAR AXLE..**
- 1.37. Install the front air spring on the rear axle according to heading **INSTALLATION** of section **05 : AIR SPRING AND REAR SUSPENSION.**
- 1.38. Install the lower radius rods according to section **05 : RADIUS RODS, LEMFÖRDER.**
- 1.39. Install the wheels according to heading **INSTALLATION** of section **06 : WHEELS AND TIRES.**
- 1.40. Lower the vehicle.
- 1.41. Set the **BATTERY DISCONNECT SWITCH** to **ON** position. ❖