

**This document is uncontrolled when printed. Before use, check the Knowledge Base within the McLaren Retailer Portal to verify that this is the current version.**

## Document Information

**Location:** Chassis / Electrical / Interior

**Topic:** Corrective action for inoperative A/C

**Condition:** Intermittent

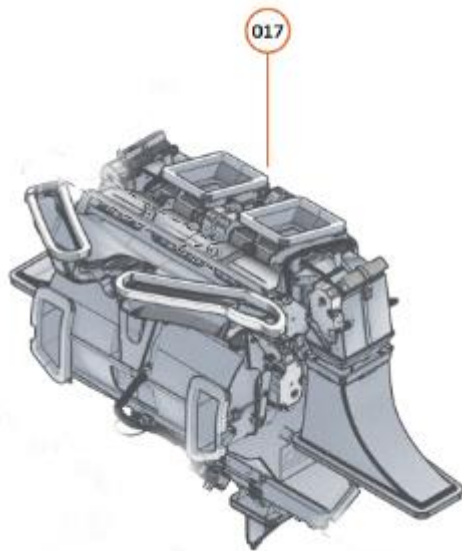
**Diagnostic Trouble Codes:** B1A60 0x29 HVAC : Evaporator Temperature Sensor Implausible

## Measure

It has been noted that on some McLaren Artura vehicles a DTC can be logged in relation to the evaporator temperature sensor that can potentially present a HVAC degraded functionality complaint.

It has been identified that possible water ingress within the evaporator temperature sensor is the cause of this concern.

If DTC **B1A60 0x29 HVAC : Evaporator Temperature Sensor Implausible** has been stored in conjunction with a customer concern please proceed to replace the HVAC unit assembly with new prior to DTC deletion.



*ASSY - HVAC UNIT as shown in SPC*

## Parts Information

N/A

## Attachments

N/A

## KA Update Information

05/10/2022- First release

**This document is uncontrolled when printed. Before use, check the Knowledge Base within the McLaren Retailer Portal to verify that this is the current version.**