

PORSCHE Rear Seat Entertainment (AHY)

Restriction: **ONLY** for vehicles with PORSCHE Rear Seat Entertainment preparation (9WU).

Model Year: **As of 2022**

Information: **Retrofitting**



Information



Figure 1

Notices: The PORSCHE Rear Seat Entertainment (PRSE) is a high-resolution, anti-reflective 10.1-inch touchscreen (resolution: 1920 × 1080 pixels) with a folding mounting arm.

The touchscreen is installed on the back of the backrest on the driver and/or passenger seat (⇒ *Figure 1*). The angle of the PORSCHE Rear Seat Entertainment System displays can be adjusted.

System optimizations can be carried out using “Over-the-Air” updates (see operating instructions for more information).

Wireless Porsche Bluetooth® headphones, which are ideal for the Porsche Rear Seat Entertainment system, can also be ordered.

Under the individual equipment "AHX - PORSCHE Rear Seat Entertainment (RdW)" or "AHY - PORSCHE Rear Seat Entertainment (USA)", the PORSCHE Rear Seat Entertainment is also available ex works for new vehicles.

Parts Info: **9Y0.088.812.A** ⇒ PORSCHE Rear Seat Entertainment, kit

The following optional equipment can also be ordered:

9Y0.088.630.A 2 x ⇒ PORSCHE Bluetooth headphones

Parts List:



Figure 2

9Y0.919.617.A ¹	2 x	PORSCHE Rear Seat Entertainment – “Bring Your Own Content BYOC” ⇒ <i>Figure 2-1-</i>
— — — ¹	1 x	Quick Start Guide (operating instructions) “PORSCHE Rear Seat Entertainment – “Bring Your Own Content BYOC” ⇒ <i>Figure 2-2-</i>
9Y0.088.630.A	2 x	PORSCHE Bluetooth headphones, incl. USB-C charging cable ⇒ <i>Figure 2-3-</i>
— — —	2 x	Quick Reference Guide for PORSCHE Bluetooth headphones (not shown)

¹ ONLY contained in set 9Y0.088.812.A!

Technical details:

Use in the vehicle:

- Playback of Smart Device App content (e.g. movies) on the PORSCHE Rear Seat Entertainment System via Apple® AirPlay, GOOGLE® Chromecast, screen synchronization (e.g. Samsung® Smart View or Apple® screen synchronization).
- Playback of⇒ content via integrated browser
- Playback of content (e.g. films) via HDMI-In interface (HDMI cable **NOT** supplied!)
- Sound output via Bluetoothphones or jack plugs (3.5 mm)
- Charging of electronic devices via USB Type CDM interface
- Over-the-air updates for system optimizations

Technical requirements:

- Smart device with at least iOS® 12 or Android® 9.0 operating system
- WiFi connection between Smart Device and PORSCHE Rear Seat Entertainment System
- App compatibility with one of the functions mentioned above

Additional information:

- Availability of services and functions may vary in certain countries
- Internet/WiFi connection can be established via Connect Plus module or by using a smartphone/tablet computer as a hotspot (tethering)
- Depending on the smartphone manufacturer, not all functions are available via hotspot (tethering).
- Some apps restrict the wireless transmission of content
- Playing / transferring Digital Rights Management (DRM) protected content requires a subscription to a paid streaming service in some cases.
- No playback of iTunes content



Information

- Please pass all this information on to the customer as well.
- Please pass the documents included in the scope of delivery to the customer.

Materials:

— — —	1 x	Cleaning cloth (commercially available)
— — —	1 x	Isopropanol (commercially available)

Tool:

Disassembly tool for radio (HAZET 4655-1)
Flashlight

Assembly:

- 1 Installing new screen
 - 1.1 Connect a battery charger. ⇒ *Workshop Manual '2X00IN Battery trickle charge'*.

NOTICE**Display unit installed/removed/operated incorrectly**

- Risk of damage to the surface/leather on front seat or display unit
 - Risk of damage to the display unit screen
- ⇒ Do not use sharp-edged tools for installing/removing the display unit.
- ⇒ During installing/removal: Do not press the display.

1.2 Fold out the mounting arm on the back of the screen. ⇒ *Figure 3*

- 1 – Mounting arm
- 2 – Screen

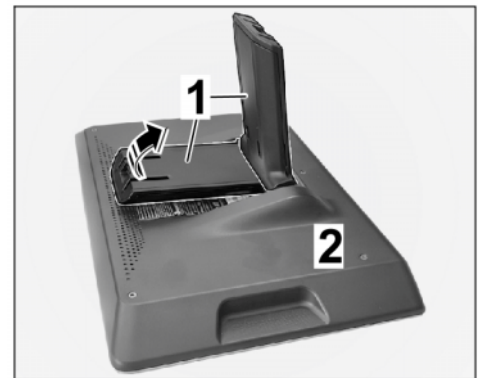


Figure 3

1.3 Align the mounting arm with the screen to the socket (back of front seat backrest) and carefully insert it into the socket. ⇒ *Figure 4 (similar picture)*

- 1 – Socket (back of front-seat backrest)
- 2 – Screen mounting arm

1.4 Grasp the screen on both sides of the frame and carefully push it forward until slight resistance is felt. ⇒ *Figure 4 (similar picture)*
-arrow-

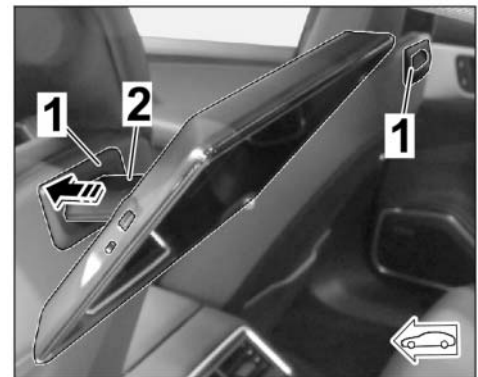


Figure 4 (similar picture)

1.5 Insert clamps (disassembly tool Radio HAZET 4655-1) into retaining lugs of fastening arm screen. ⇒ *Figure 5 (similar picture) -top-*

- 1 – Disassembly tool Radio HAZET 4655-1
- 2 – Mounting arm clips
- 3 – Screen

1.6 Pull the retaining tabs of the fastening arm with clamps (disassembly tool Radio HAZET 4655-1) to the rear towards the screen. ⇒ *Figure 5 (similar picture) -Arrow B-*

Simultaneously press the screen with the fastening arm carefully forwards (front seat backrest) until you hear it click into place. ⇒ *Figure 5 (similar picture) -Arrow C-*

1.7 Check that the screen is firmly attached to the backrest of the front seat by carefully pulling and pushing.

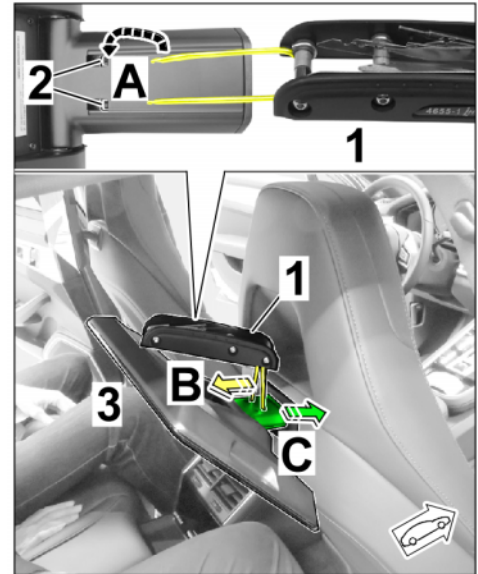


Figure 5 (similar picture)

Configuration: 2 Configuring new screen

– PRSE connections and On/Off button ⇒ *Figure 6*

- 1 – Touchscreen
- 2 – On/Off button / Quick menu
- 3 – Headphone connection
- 4 – USB port
- 5 – HDMI jack

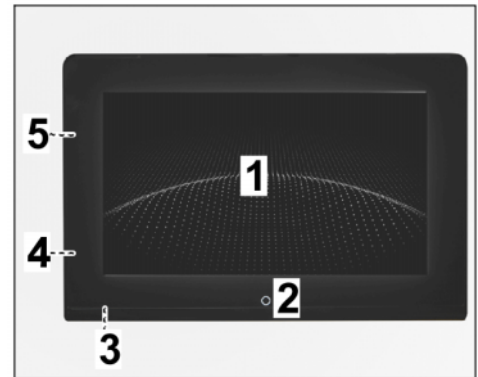


Figure 6

– PRSE menu items and adjustment options ⇒ *Figure 7*

- 1 – Status line/Connection wizard
- 2 – On/Off button / Quick menu
- 3 – Help
- 4 – Settings
- 5 – Source selection
- 6 – WiFi/Bluetooth – status/adjustment
- 7 – Brightness/display off
- 8 – Volume/mute
- 9 – Audio output (vehicle loudspeaker)²

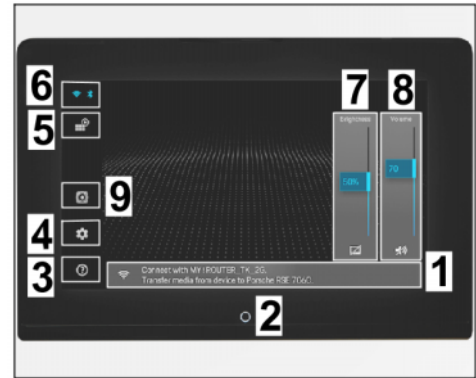


Figure 7

² ... Functions currently hidden. These functions may be available with a later software update.

2.1 Switch on the new screen.

2.1.1 Press the On button at the bottom of the screen for approx. 2 seconds. ⇒ *Figure 6 -2-*

2.1.2 The system boots up.



Information

When you switch on the display for the first time, the default language is preset to "English".

2.2 Set the system language

2.2.1 Select Settings ⇒ "Language" menu item. ⇒ *Figure 8*

- 1 – Settings
- 2 – "Settings" menu
- 3 – Language



Figure 8

2.2.2 Select the desired system language from the list of available languages. ⇒ *Figure 9*

- 1 - "Language" menu
- 2 - Scroll bar
- 3 - Language offering visible area

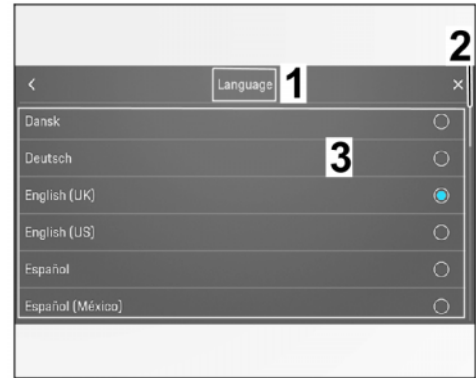


Figure 9

2.2.3 New language is adopted. The display returns to the "Settings" menu item.



Information

Have access data required for the network ready.

2.3 Configure WiFi network

2.3.1 Select WiFi/Bluetooth connection. ⇒ *Figure 10-2-*

- 1 - Status line
- 2 - WiFi/Bluetooth connection
- 3 - "Connection" menu
- 4 - "WiFi" menu item
- 5 - Search for available networks
- 6 - Available networks

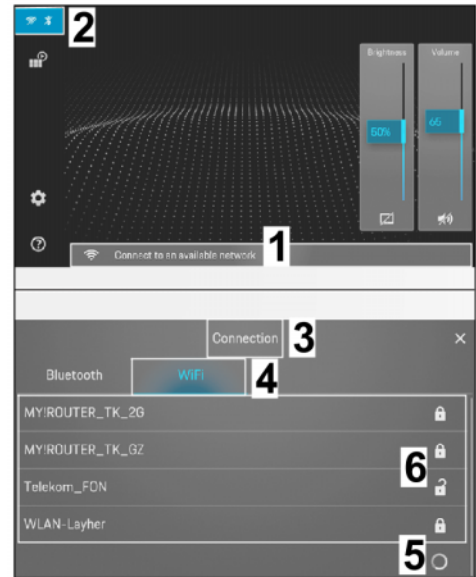


Figure 10

2.3.2 Select the "WiFi" menu item in the "Connection" menu. ⇒ *Figure 10-4-*

2.3.3 Starting the search for available networks. ⇒ *Figure 10-bottom-*

2.3.4 Select the desired network, enter your password and confirm with "OK". ⇒ *Figure 11-top-*

- 1 – Name of selected network
- 2 – Input mask
- 3 – WiFi symbol – "Connected" status
- 4 – Status line

2.3.5 Display of a successful connection to a WiFi network:

- WiFi symbol on the left side of the screen is colored ⇒ *Figure 11-3-*
- Network name is displayed in the status line ⇒ *Figure 11-4-*

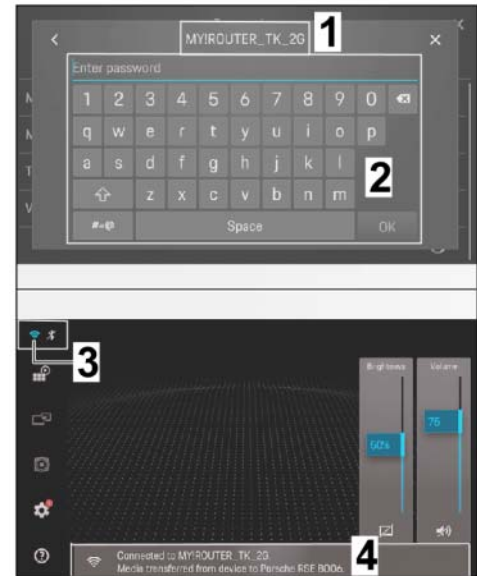


Figure 11

Software: 3 Check software status and update if necessary

3.1 Displaying software/device information

3.1.1 Select Settings ⇒ "Software" menu item. ⇒ *Figure 12*

- 1 – Settings
- 2 – "Settings" menu
- 3 – Software

Any new software is indicated by a "red circle" next to the "Software" menu item.



Figure 12

3.1.2 Select “Software Information” menu item. ⇒ *Figure 13-2-*

- 1 – “Software” menu
- 2 – Software information
- 3 – Software/device information

3.1.3 The following software/device information is displayed: ⇒ *Figure 13-3-*

- Software version
- Rear Seat Entertainment version
- MCU version ⇒ Micro Controller Unit version
- Assigned location ⇒ Installation position in the vehicle (left or right seat) ⇒ for “Sound output via vehicle loudspeaker” function
- Bluetooth name:
- Memory used ⇒ currently: 100% maximum
- Runtime ⇒ Starts as soon as the Rear Seat Entertainment system is supplied with power (e.g. unlocking the vehicle); reset: Voltage for Rear Seat Entertainment at “zero” (observe run-on time for vehicle systems!)
- IP address
- Serial number of device

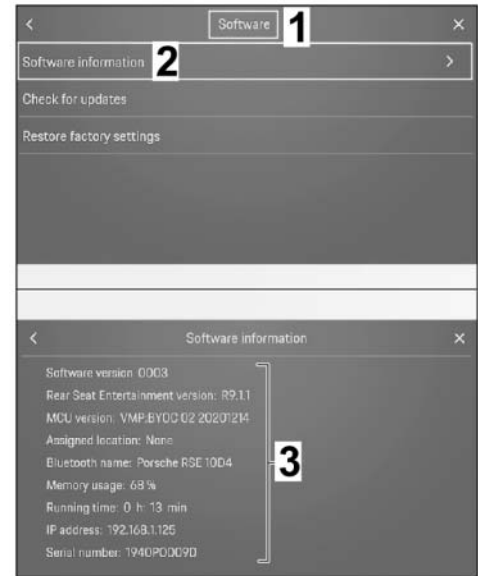


Figure 13

3.2 Check to see if a new software version is available on the server.

3.2.1 Select Settings ⇒ "Software" menu item. ⇒ *Figure 14*

- 1 - Settings
- 2 - "Settings" menu
- 3 - Software

Any new software is indicated by a "red circle" next to the "Software" menu item. ⇒ *Figure 14-3-*



Figure 14

3.2.2 Select "Check for updates" menu item. ⇒ *Figure 15.*

- 1 - "Software" menu
- 2 - Check for updates
- 3 - No updates available

- No update available: Continue with Step 4 ⇒ *Figure 15-3-*
- Update available. Continue with the next step.

3.3 Update software online



Information

It can take a few minutes to download, depending on the speed of the WiFi connection!



Figure 15

3.3.1 Download software update

Software update ⇒ Question "Do you want to download the file now?"
⇒ Confirm (OK)/Reject (undo). ⇒
Figure 16-top-

- 1 – "Software Update" menu
- 2 – Confirm (OK)
- 3 – Reject (undo)
- 4 – Abort download
- 5 – Specification of download progress as a percentage

- OK: Download starts automatically in the new window. ⇒
Figure 16-bottom-
- Reject (undo): Switch to the previous menu. Perform software update download later.



Figure 16

NOTICE

Voltage drop

- Coding/saving process is aborted
 - The display unit malfunctions
- ⇒ Make sure that the power supply is not interrupted when coding/saving data.
- ⇒ Connect a battery charger with a current rating of at least Nominal value 40 A to the vehicle battery.

3.3.2 Install software update

Install software ⇒ Update ⇒
Question "Would you like to install
now" ⇒ Confirm (OK)/Cancel
(Later)

- 1 – "Software" menu
- 2 – Install update
- 3 – OK (confirm)
- 4 – Later (cancel)

Check that the battery charger is
connected.

**Information**

The system is not functional while
you are updating the system!

- **YES:** Confirm installation with
"OK".
- **NO:** Connect a battery charger. ⇒ *Workshop Manual '2X00IN Battery trickle
charge'*.



Figure 17

3.3.3 The following information is displayed when the update is performed:

- "The system starts when installation is complete!"
- After update: "System start, Please wait ..."
- Information after update: "Installation successful. Software updated." and
confirm the content of the update with "OK".

Headphones: 4 **ONLY** if wireless (Bluetooth) headphones are used:
Connect headphones to PRSE (for more information, see ⇒ Quick Reference Guide for PORSCHE
Bluetooth headphones)

4.1 Activate "Bluetooth" connection mode on the PORSCHE Bluetooth headphones

**Information**

When you switch on the headphones for the first time, they automatically start in
connection mode.

4.1.1 Press and hold the on button (⇒ *Figure 18-3-*) on the PORSCHE Bluetooth headphones for longer than 3 seconds. The signal for "Switched on" sounds in the headphones.

- L** – Left side
- R** – Right side
- 1** – Headphone charging (type C socket)
- 2** – LED light: Red = Charging, Red/Blue alternately = Pairing mode
- 3** – Button: On / Off / Play / Pause
- 4** – Lever: Forward/reversing coils and volume control

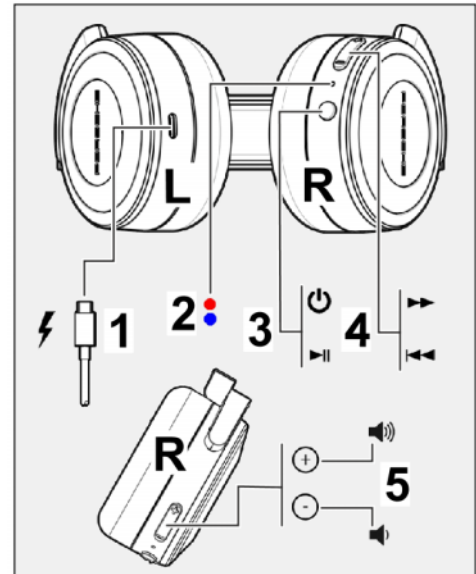


Figure 18

4.1.2 Press button (⇒ *Figure 18-3-*) for longer than 5 seconds to start pairing mode. LED light flashes alternately "red/blue". ⇒ *Figure 18*

4.2 Activate Bluetooth on PRSE

4.2.1 Select "WiFi/Bluetooth" connection. ⇒ *Figure 19-2-*

- 1** – Status line
- 2** – "WiFi/Bluetooth" settings
- 3** – "Connection" menu
- 4** – "Bluetooth" menu item

4.2.2 Select "Bluetooth" menu item. ⇒ *Figure 19-4-*

4.3 Connecting PORSCHE Bluetooth headphones to PRSE

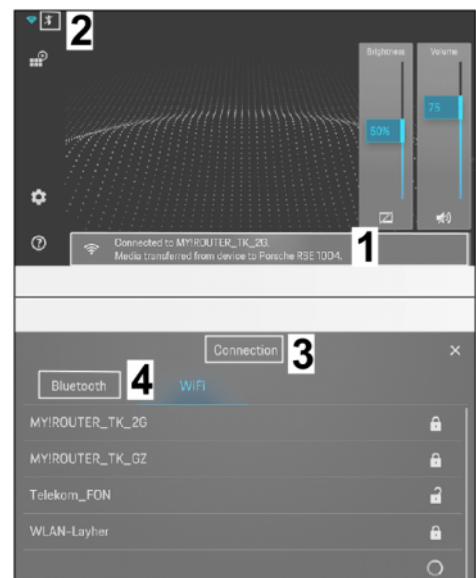


Figure 19

4.3.1 Confirm the question/information with "OK". Switch off the display again beforehand if necessary by ticking a box. ⇒ *Figure 20 -top-*

- 1 – "Pairing mode" information
- 2 – Deselection of display information
- 3 – Device search



Figure 20

4.3.2 Select the relevant headphones from the list of available headphones. ⇒ *Figure 21 -2-*

- 1 – "Connection" menu
- 2 – List of available headphones
- 3 – Headphones – status: connected



Figure 21

4.3.3 If connection successful: Change the font color to "blue". ⇒ *Figure 21 -bottom-*

- 1 – WiFi/Bluetooth connection
 - status: active
- 2 – Settings

The "Bluetooth" symbol is also displayed in "blue" on the start screen. ⇒ *Figure 22*

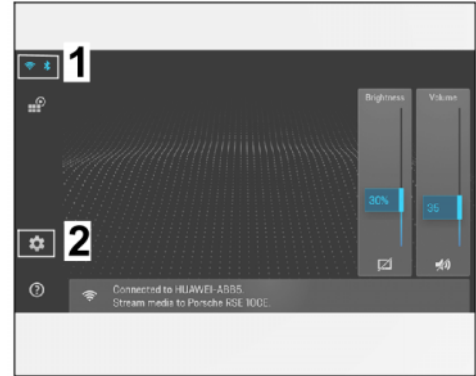


Figure 22

Assembly: 5 Concluding work

- 5.1 Switch off both screens.
- 5.2 Disconnect the battery charger. ⇒ *Workshop Manual '2X00IN Battery trickle charge'*.
- 5.3 Store documents in the glove box in the vehicle.

91 94 24 42: -Porsche Rear Seat Entertainment (2 screens) installed-.
Includes: Install the display units on the seats and configure new display units.

Labor time: **49 TU**

Important Notice: Technical Bulletins issued by Porsche Cars North America, Inc. are intended only for use by professional automotive technicians who have attended Porsche service training courses. They are written to inform those technicians of conditions that may occur on some Porsche vehicles, or to provide information that could assist in the proper servicing of a vehicle. Porsche special tools may be necessary in order to perform certain operations identified in these bulletins. Use of tools and procedures other than those Porsche recommends in these bulletins may be detrimental to the safe operation of your vehicle, and may endanger the people working on it. Properly trained Porsche technicians have the equipment, tools, safety instructions, and know-how to do the job properly and safely. Part numbers listed in these bulletins are for reference only. The work procedures updated electronically in the Porsche PIWIS diagnostic and testing device take precedence and, in the event of a discrepancy, the work procedures in the PIWIS Tester are the ones that must be followed.

© 2022 Porsche Cars North America, Inc.