


# RCA-52-22-003-1: One Way Drain Valve for Rocker Panel Water Ingress

Rivian is initiating a customer satisfaction campaign for some model year 2022 R1T vehicles that may be prone to water collecting in the rocker panels under certain conditions such as water fording or heavy precipitation. Water collected in the rocker panels may create a sloshing sound or, over an extended period of time, may result in water seeping into the cabin. Rivian will inspect the area and, if necessary, retrofit a one way drain valve to allow proper drainage. Rivian is launching this campaign for customer satisfaction and to ensure the quality of Rivian vehicles.

<b>Document Type</b>	Customer Satisfaction Campaign Bulletin
<b>Date</b>	October 12, 2022
<b>Affected Region(s)</b>	USA
<b>Affected Model(s)</b>	R1T
<b>Model Year(s)</b>	2022
<b>Approximate Build Dates</b>	August 2021 - Feb 2022
 Refer to the FSA Dashboard to determine if this document applies to a specific vehicle.	
<b>Vehicle System</b>	52 - Body
<b>Minimum Service Location</b>	Mobile

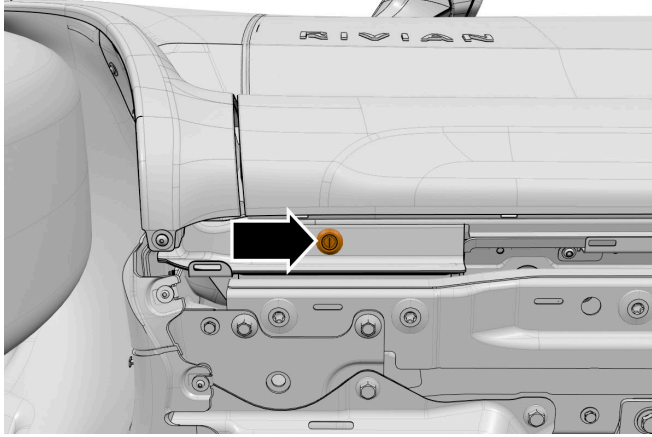
## Potentially Required Parts

Part Number	Quantity	Engineering Name	Service Name/Notes
SC00015444-B	2	PLUG - 19.0X1.8 CHECK VALVE PLUG	Drain Valve, One Way, 19 mm

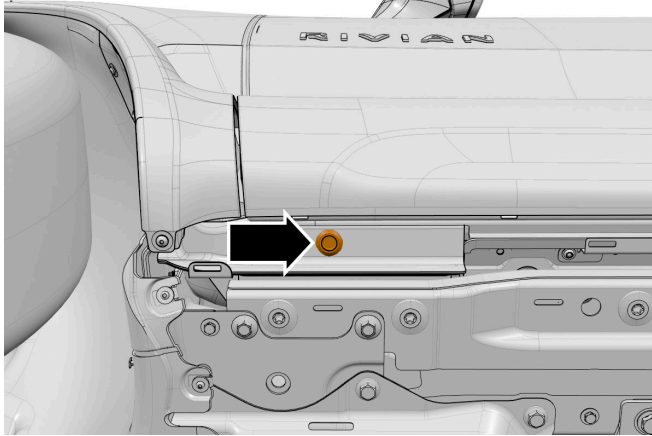
**!** **Attention:** The parts listed in this table are only for unique steps that are called out in this bulletin. Some sections of this bulletin might refer to Service Manual procedures which require additional parts. Always review the bulletin and all potentially related Service Manual procedures before ordering parts and beginning work.

## Procedure

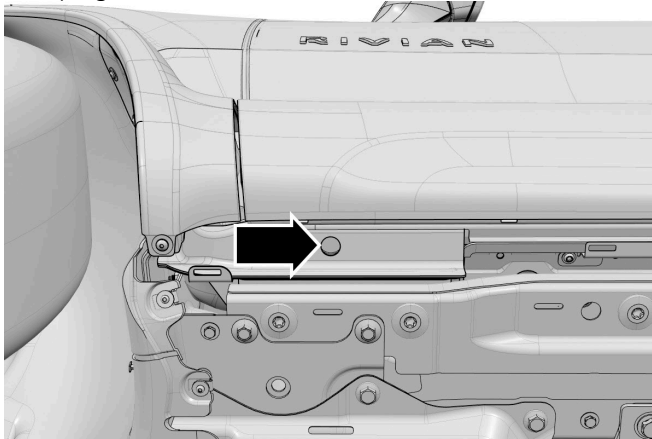
1. Remove: Panel, Underbody, HV Battery, Front, LH (refer to service manual procedure 606510010).
2. Inspect the area underneath the panel:
  - If a valve is installed, continue to the next step.



- If a plug is installed: Remove the plug.



- If no water is present, reinstall the plug.
- If any water is present, discard the plug and install the new valve.
- If no plug or valve is installed, install the new valve.



3. Repeat the steps in this section on the opposite side of the vehicle.
4. Reinstall all components that were removed for access and replace all non-reusable components.

## Labor Codes

<b>Labor Code</b>	<b>Description</b>
RCA522200300	RCA-52-22-003-1 not applicable
RCA522200301	Inspect LH and RH rocker panels; LH and RH drain valves already installed
RCA522200302	LH drain valve already installed; remove and reinstall RH plug
RCA522200303	LH drain valve already installed; replace RH plug with drain valve
RCA522200304	LH drain valve already installed; retrofit RH drain valve
RCA522200305	Remove and reinstall LH plug; RH drain valve already installed
RCA522200306	Remove and reinstall LH plug; remove and reinstall RH plug
RCA522200307	Remove and reinstall LH plug; replace RH plug with drain valve
RCA522200308	Remove and reinstall LH plug; retrofit RH drain valve
RCA522200309	Replace LH plug with drain valve; RH drain valve already installed
RCA522200310	Replace LH plug with drain valve; remove and reinstall RH plug
RCA522200311	Replace LH plug with drain valve; replace RH plug with drain valve
RCA522200312	Replace LH plug with drain valve; retrofit RH drain valve
RCA522200313	Retrofit LH drain valve; RH drain valve already installed
RCA522200314	Retrofit LH drain valve; remove and reinstall RH plug
RCA522200315	Retrofit LH drain valve; replace RH plug with drain valve
RCA522200316	Retrofit LH drain valve; retrofit RH drain valve
<p>Contact <a href="mailto:ServiceDocumentFeedback@rivian.com">ServiceDocumentFeedback@rivian.com</a> regarding labor codes and document content.</p>	