



400 Series Shower Enclosure & Door

| | | | |
|-----------------------|--|--------------------------|--|
| Bulletin Type: | SRP | Publication Date: | November 2022 |
| Bulletin #(s): | 22-082 | Make(s): | Entegra Coach |
| Job Code(s): | <i>If affected unit has warranty remaining, submit your claim following the normal process</i> | Model(s): | Reatta XL, Aspire, Anthem, Cornerstone |
| Flat Rate(s): | | Model Year(s): | 2012-2024 |

| | |
|------------------------------------|---|
| Incident: | 400 Series Shower Enclosure & Door |
| Affected Units: | 2012-2024 Entegra Coach Reatta XL, Aspire, Anthem, and Cornerstone |
| Parts List: | N/A |
| Misc. Tools & Supplies: | Screwgun with Philips Bit, Drill with 1/8" Drill Bit, Silicone Seal |

400 SERIES SHOWER INSTALLATION INSTRUCTIONS

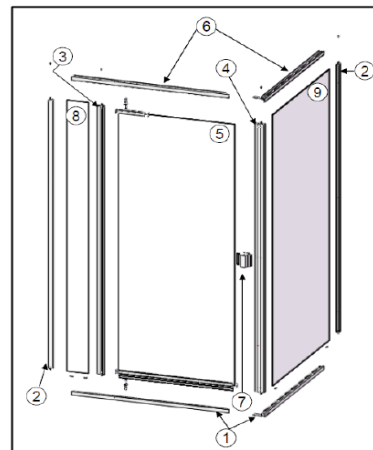
- This work procedure is to define the approved method of installing 400 Series Shower Enclosures and Door including glazing vinyl and silicone sealing applications.

Misc. Tools & Supplies

- Screwgun with Philips Bit
- Drill with 1/8" Drill Bit
- Silicone Seal

Component Identification:

- Sill Assembly
- Wall Jamb Assembly
- 180 Degree Post Assembly (if needed)
- 90 Degree Post Assembly
- Door Assembly
- Header Assembly
- Handle Assembly
- Panel 'A' (if needed)
- Panel 'B'
- Identify glazing vinyl



- Prior to any installation of the shower enclosure, it is imperative that the shower walls and shower bases installed correctly and square. When walls and bases are not square, it is nearly impossible to get the enclosures to be square. Results of shower base and wall installed incorrectly and out of square may result in removal of floor tile around the shower base and potentially removal of interior shower wall tile, move/shim shower bases and adjusting interior walls.

Installation:

1. Pre-assemble the headers and sill with the provided screws. (Figure 1)
 - a. NOTE: There will be an L-Bracket for connection inside either the left or right hand header pieces.
2. Install the post with provided hardware into the sill corner. (Figure 1)
3. Install the sill and post working from non-door side to door side.
 - a. Place onto the shower base and square up. (Figure 2)



Fig. 1



Fig. 2

- b. Mark holes on the left side of the track.
 - c. Move the sill/post assembly and drill holes through Corian for screws. (Figure 3)
 - i. NOTE: Make sure drill bit is proper size for fasteners to thread.
 - d. Apply butyl tape to each fastener location.
 - e. Replace the sill/post assembly and screw down the sill plate through the Corian. (Figure 4)
4. Loosely install the wall jamb assemblies to the Sill plate.
 5. Temporarily install the header assembly on top of the wall jambs and the corner post.
 - a. Verify that the header, wall jamb, corner post and sill are square and held into place.

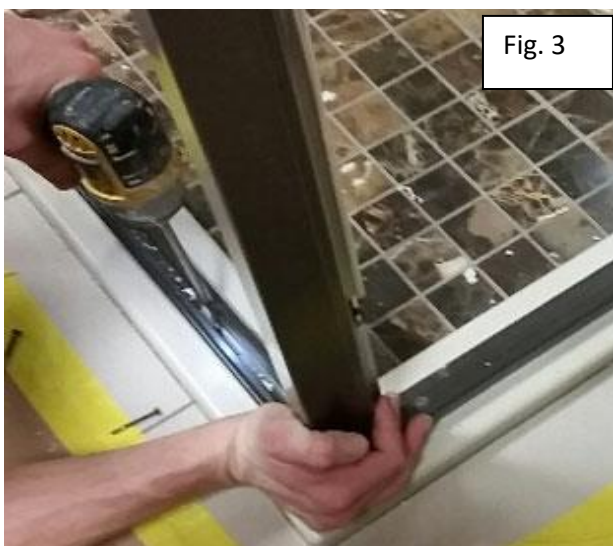


Fig. 3



Fig. 4

6. Install wall jambs.
 - a. Mark holes on the both of the wall jambs.
 - b. Remove the header assembly and the wall jambs.
 - c. Drill holes through Corian for screws.
 - i. NOTE: Make sure drill bit is proper size for fasteners to thread.
 - d. Apply a bead of silicone seal where each of the wall jambs will be placed.
 - e. Re-install the wall jambs and secure with fasteners through the Corian. (Figure 5)



Fig. 5

7. Inserting Glass Panel.
 - a. Insert two small plastic spacers into the sill. One block located about 2" from the wall jamb and the second about 2" from the corner post. (Figure 6)
 - i. NOTE: Place in the sill to keep the glass panel from resting on the sill mounting fasteners.
 - b. With the corner post bent slightly to get out of the way, insert glass panel and slide into the wall jamb.
 - c. Put the corner post back into place and sliding over the edge of the glass panel. (Figure 7)

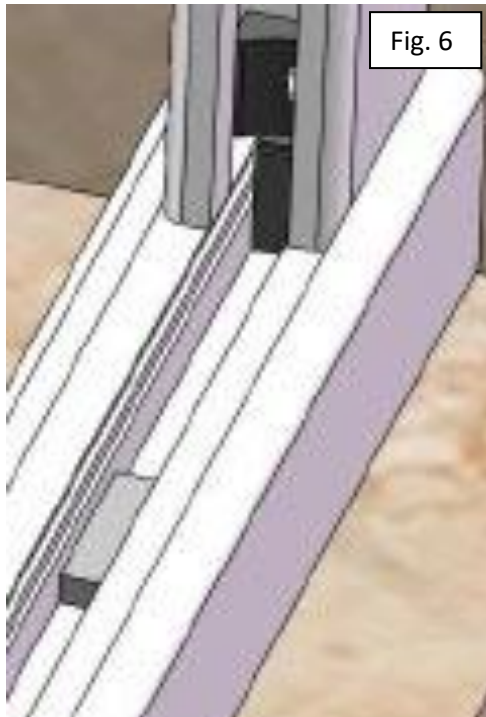


Fig. 6



Fig. 7

8. Install header onto glass panel and corner post.
 - a. Place the header assembly over the panel (Figure 8) and secure it at both wall jambs with supplied fastener. (Figure 9) Do not tighten the screws.



Fig. 8



Fig. 9

9. Install shower door with provided hardware.
 - a. Place the bottom of the shower door onto the lower pivot assembly. (Figure 10)
 - b. Lift up on the corner of the header to allow room to insert the top part of the door to the pivot point. (Figure 11)
 - i. Note: The door can be slightly adjusted left or right by loosening the allen keys in the Header or Sill, if needed.
 - ii. Note: The drip sill preinstalled on the door should face inward.



Fig. 10



Fig. 11

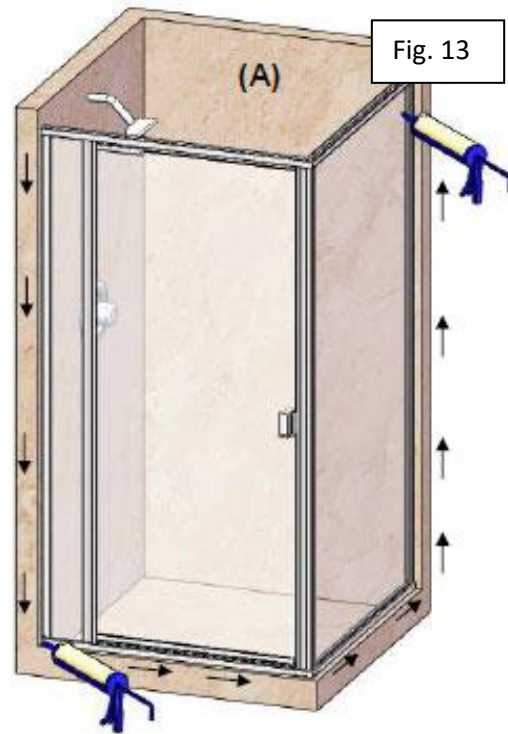
10. Secure header assembly – tighten screws at both wall jambs and secure header to the corner post.
11. Install handle and potential towel bar.
12. Install toggle door lock.
13. Test door operation.

14. Installing glazing vinyl.

- a. Starting at the header assembly, install the glazing vinyl on the outside of the shower. Install the glazing vinyl as indicated by the arrows. (Figure 12)

15. Applying Silicone.

- a. Apply silicone around the perimeter of the unit, where the aluminum extrusions touch the shower enclosure. Force the silicone into these areas and wipe away the excess. Allow the silicone to dry for 24 hours. (Figure 13)



Jayco's sole obligation under our limited warranty is to repair or replace defective materials and/or workmanship deemed our responsibility as determined by Jayco in our sole discretion. Jayco reserves the right to use new and/or remanufactured parts or materials of similar quality to complete any work, and to make parts and/or design changes as appropriate without notice to anyone. Jayco designs and/or materials changes are done without obligation to incorporate such changes in previously manufactured product. Jayco makes every reasonable effort to ensure field remedies will not adversely affect performance and/or safety of the unit. This field remedy is not intended to extend to future performance of this RV, or any of its materials, components or parts beyond the standard warranty period. The RV owner's obligation to notify Jayco, or one of its independent, authorized dealers, of a claimed defect does not modify any obligation placed on the RV owner to contact Jayco directly when attempting to pursue remedies under state or federal law.

903 South Main Street • P.O. Box 460 • Middlebury, IN 46540