

Windshield Washer Reservoir Leak

V-363-001

(September 2022)

Valid for

Volvo VN model trucks built between July 1, 2017, and September 16, 2022

Case description

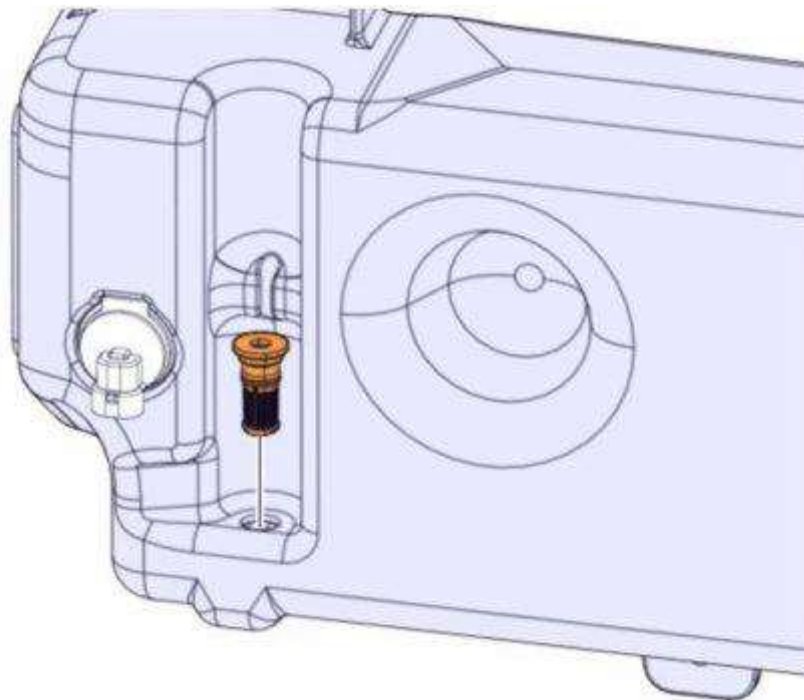
Some Volvo Trucks may experience a leak at the windshield washer reservoir pump mounting grommet/filter. A revised pump grommet/filter has been developed to improve sealing and can be replaced separately from the pump. If the above condition is found replace the grommet/filter with the updated one following the instructions below.

Parts

Part Number	Description	Quantity
78677270	Grommet/filter	1

Repair Procedure

1. Follow [Windshield Washer Fluid Filter, Replacement](#) in impact.



Warranty Information

Reimbursement

This repair may be eligible for reimbursement if a product failure was experienced within time and mileage limits of the applicable Warranty coverage. Reimbursement is obtained via the normal claim handling process.	UCHP Reimbursement
Claim Type (used only when uploading from the Dealer Bus. Sys.)	01
Labor Code	
Windshield Washer Fluid Filter, Replacement	3634-03-02-12 – (0.5 hrs.)
Causal Part	78677270

Issued by

Technical Service