



STAR ONLINE PUBLICATION

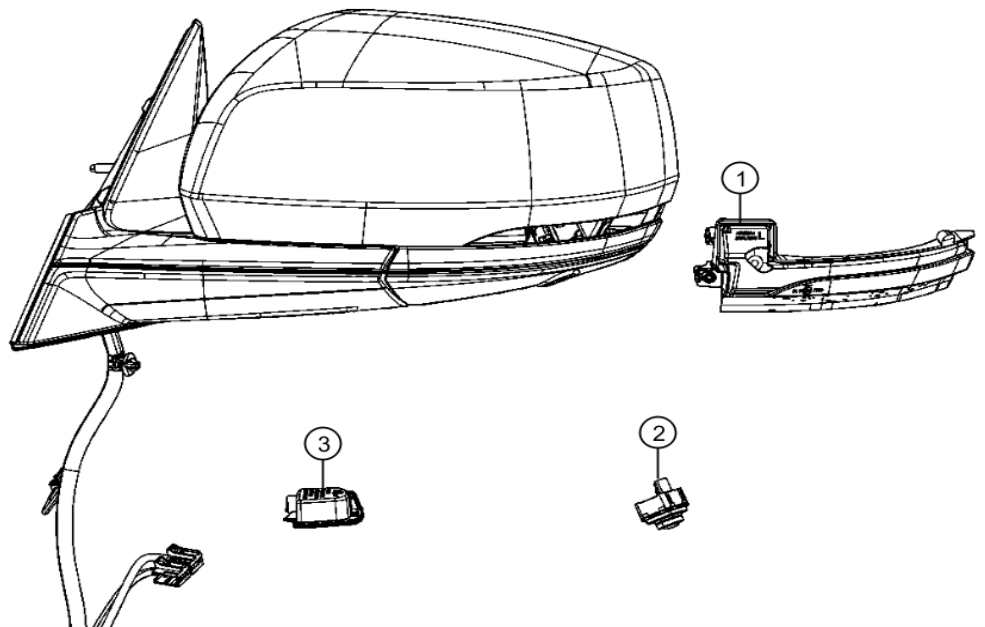


Case Number: S2223000006

Release Date: January 2022

Symptom/Vehicle Issue: Mirror Mounted Turn Signal Indicator Service

Discussion: Mirror mounted turn signal indicator is available for service. It is not necessary to replace the entire mirror if only the indicator requires replacement. Refer to Service Library 23 - Body / Exterior / MIRROR / Removal and Installation MIRROR COVER. Also see the additional information below.



em	Description (Double Click to add part to Exchange List)	Part Number	Notes	Qty	Super	Tech	Info
1	LAMP, Turn Signal						

This document does not authorize warranty repairs. This communication documents a record of past experiences. STAR Online does not provide any conclusions about what is wrong with the vehicle. Rather, it captures all previous cases known that appear to be similar or related to the vehicle symptom / condition. You are the expert, and you are responsible for deciding on the appropriate course of action.

Contact STAR Center, or your Technical Assistance Center Via TechCONNECT or eCONTACT ticket if no solution is found



STAR ONLINE PUBLICATION



Tool list:

T-10 torx screw driver.

Glass case remover tab or trim stick.

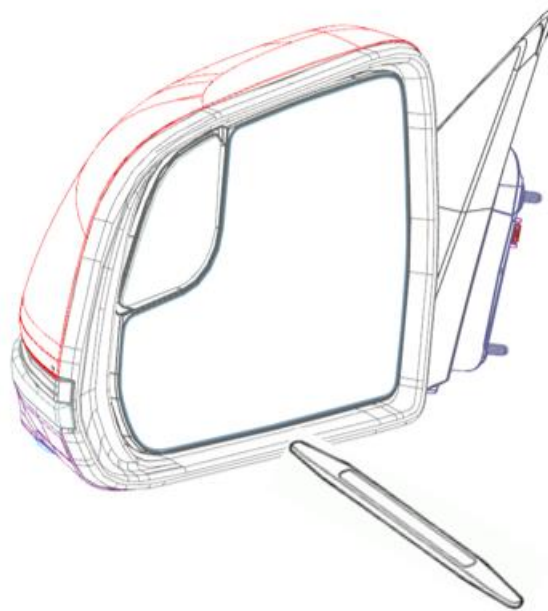


This document does not authorize warranty repairs. This communication documents a record of past experiences. STAR Online does not provide any conclusions about what is wrong with the vehicle. Rather, it captures all previous cases known that appear to be similar or related to the vehicle symptom / condition. You are the expert, and you are responsible for deciding on the appropriate course of action.

Contact STAR Center, or your Technical Assistance Center Via TechCONNECT or eCONTACT ticket if no solution is found



STAR ONLINE PUBLICATION



1. Remove glass case:

Tilt glass case upward

Insert tool between glass case bottom edge and shell

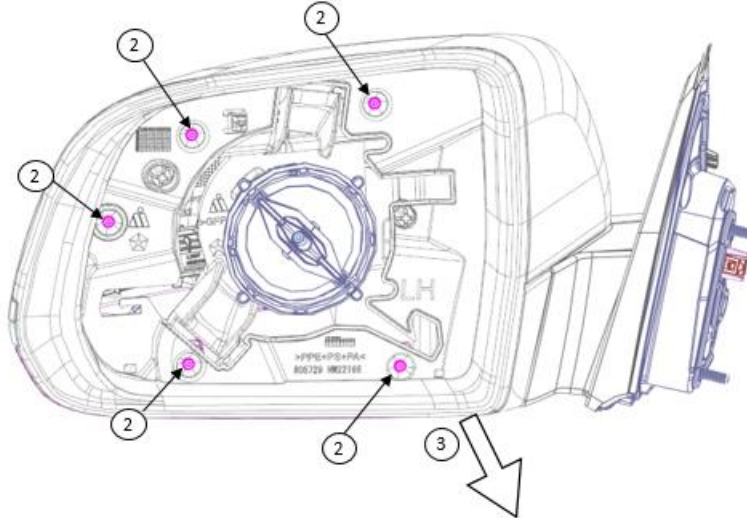
Pry upward until tabs disengage

This document does not authorize warranty repairs. This communication documents a record of past experiences. STAR Online does not provide any conclusions about what is wrong with the vehicle. Rather, it captures all previous cases known that appear to be similar or related to the vehicle symptom / condition. You are the expert, and you are responsible for deciding on the appropriate course of action.

Contact STAR Center, or your Technical Assistance Center Via TechCONNECT or eCONTACT ticket if no solution is found



STAR ONLINE PUBLICATION



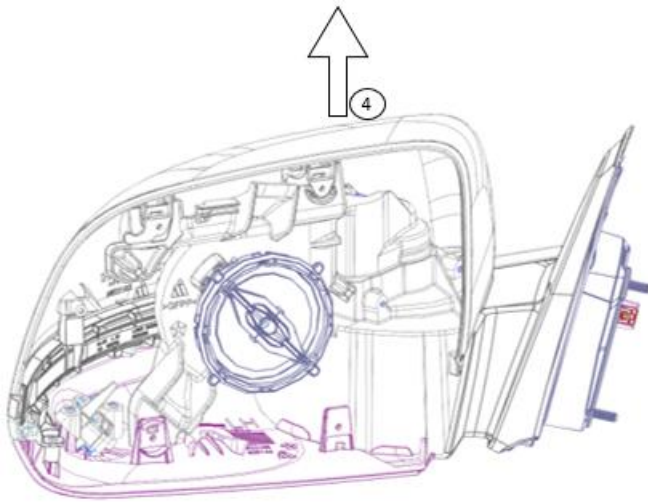
2. Using the torx driver remove the 5 fasteners located behind the mirror glass case.
3. With all 5 fasteners off, remove the rigid plastic bezel by pulling it towards the rear of the vehicle.

This document does not authorize warranty repairs. This communication documents a record of past experiences. STAR Online does not provide any conclusions about what is wrong with the vehicle. Rather, it captures all previous cases known that appear to be similar or related to the vehicle symptom / condition. You are the expert, and you are responsible for deciding on the appropriate course of action.

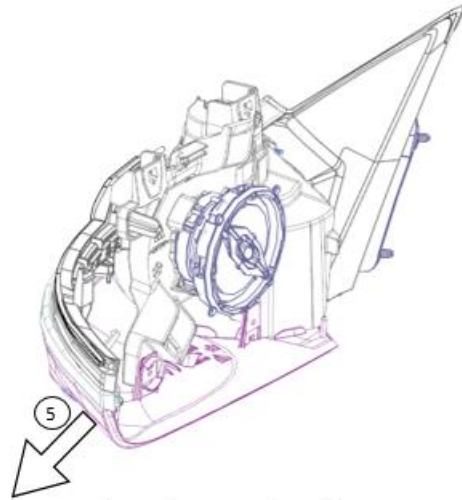
Contact STAR Center, or your Technical Assistance Center Via TechCONNECT or eCONTACT ticket if no solution is found



STAR ONLINE PUBLICATION



4. Remove mirror cap by pulling it vertical up



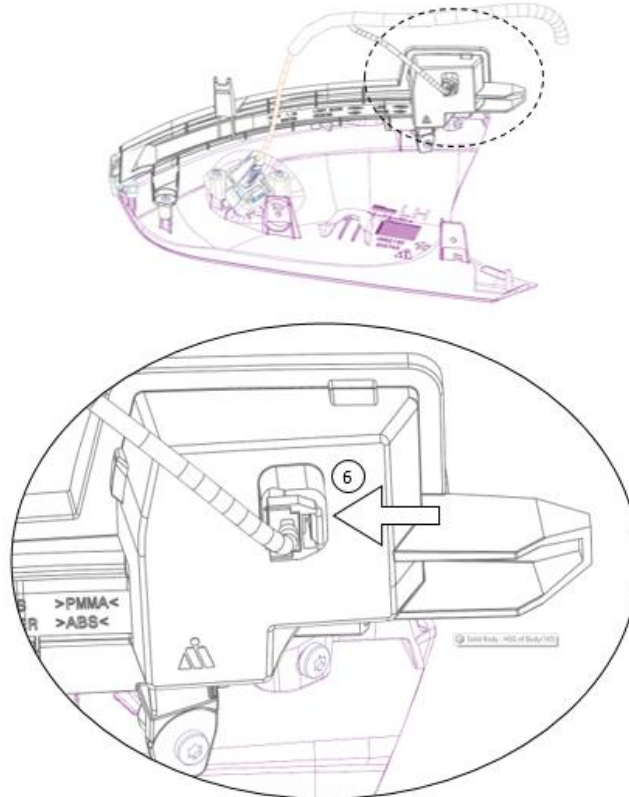
5. Remove lower housing by pulling it outboard the vehicle

This document does not authorize warranty repairs. This communication documents a record of past experiences. STAR Online does not provide any conclusions about what is wrong with the vehicle. Rather, it captures all previous cases known that appear to be similar or related to the vehicle symptom / condition. You are the expert, and you are responsible for deciding on the appropriate course of action.

Contact STAR Center, or your Technical Assistance Center Via TechCONNECT or eCONTACT ticket if no solution is found



STAR ONLINE PUBLICATION



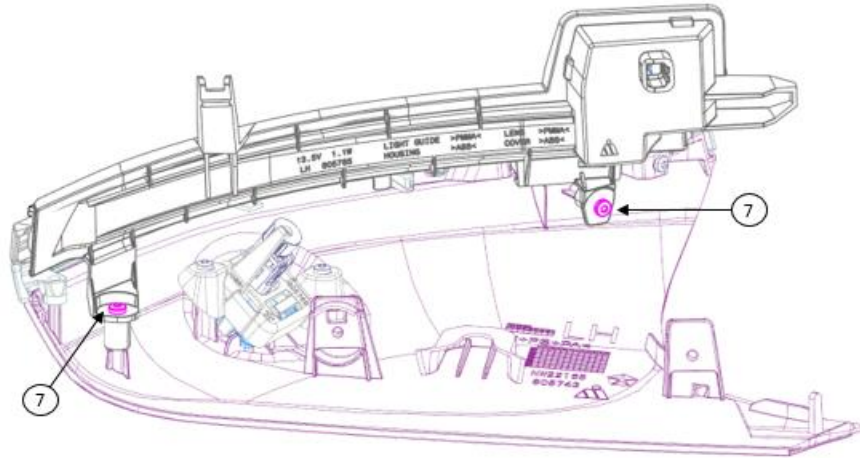
6. Carefully disconnect the turn signal connector by pushing in the connector tab and pull the connector out.

This document does not authorize warranty repairs. This communication documents a record of past experiences. STAR Online does not provide any conclusions about what is wrong with the vehicle. Rather, it captures all previous cases known that appear to be similar or related to the vehicle symptom / condition. You are the expert, and you are responsible for deciding on the appropriate course of action.

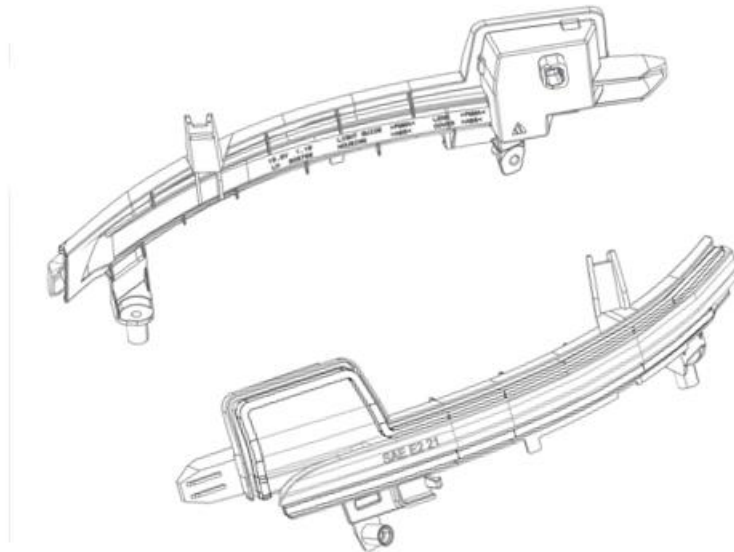
Contact STAR Center, or your Technical Assistance Center Via TechCONNECT or eCONTACT ticket if no solution is found



STAR ONLINE PUBLICATION



7. Using the torx driver remove the 2 fasteners located on the extremes of the turn signal unit.



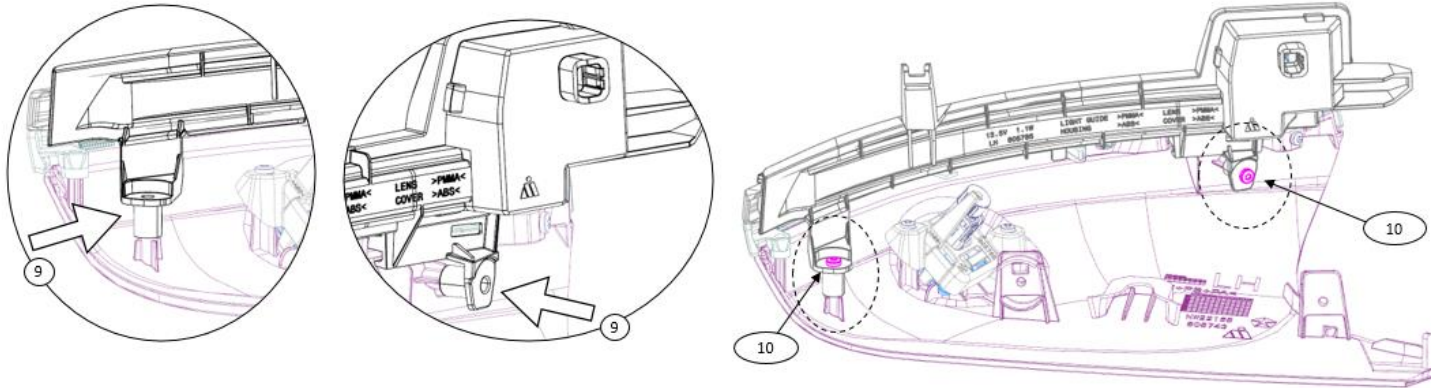
8. Replace turn signal unit with a newer level.

This document does not authorize warranty repairs. This communication documents a record of past experiences. STAR Online does not provide any conclusions about what is wrong with the vehicle. Rather, it captures all previous cases known that appear to be similar or related to the vehicle symptom / condition. You are the expert, and you are responsible for deciding on the appropriate course of action.

Contact STAR Center, or your Technical Assistance Center Via TechCONNECT or eCONTACT ticket if no solution is found



STAR ONLINE PUBLICATION



9. Place turn signal unit back in position. Make sure the fastener boss is aligned to the lower housing cover

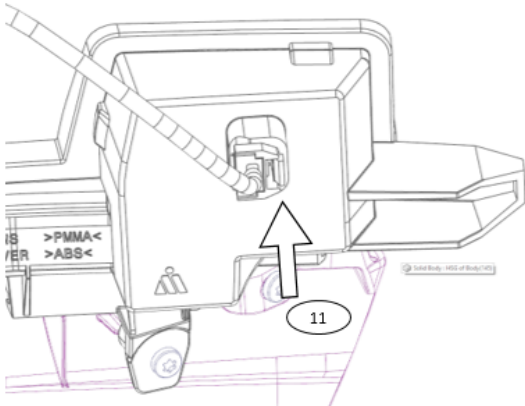
10. Using the torx drive, fasten the 2 fasteners into the lower housing cover Torque: 8 in-lbf

This document does not authorize warranty repairs. This communication documents a record of past experiences. STAR Online does not provide any conclusions about what is wrong with the vehicle. Rather, it captures all previous cases known that appear to be similar or related to the vehicle symptom / condition. You are the expert, and you are responsible for deciding on the appropriate course of action.

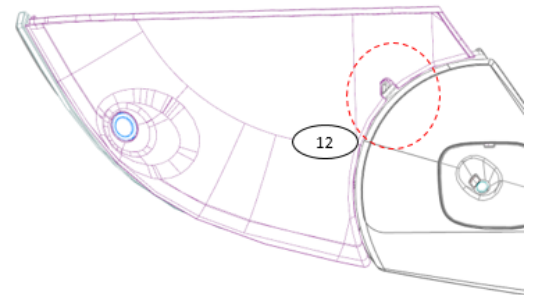
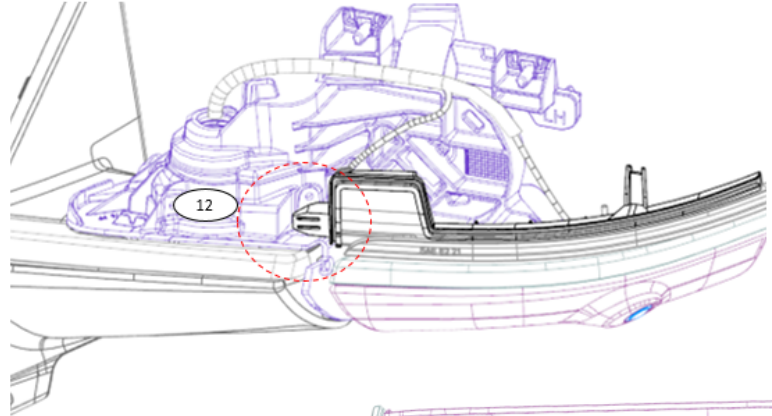
Contact STAR Center, or your Technical Assistance Center Via TechCONNECT or eCONTACT ticket if no solution is found



STAR ONLINE PUBLICATION



11. Push wiring connector into turn signal unit



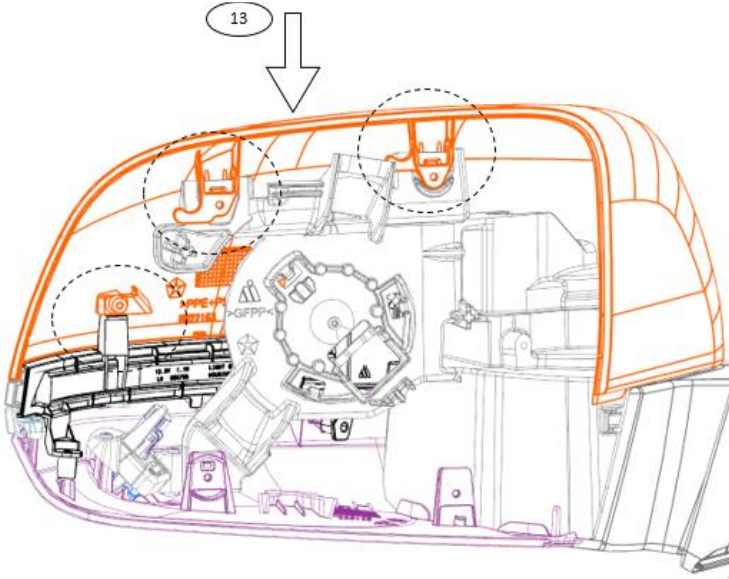
12. Place lower housing in position. Make sure the front tab and lower tab are aligned into position as shown.

This document does not authorize warranty repairs. This communication documents a record of past experiences. STAR Online does not provide any conclusions about what is wrong with the vehicle. Rather, it captures all previous cases known that appear to be similar or related to the vehicle symptom / condition. You are the expert, and you are responsible for deciding on the appropriate course of action.

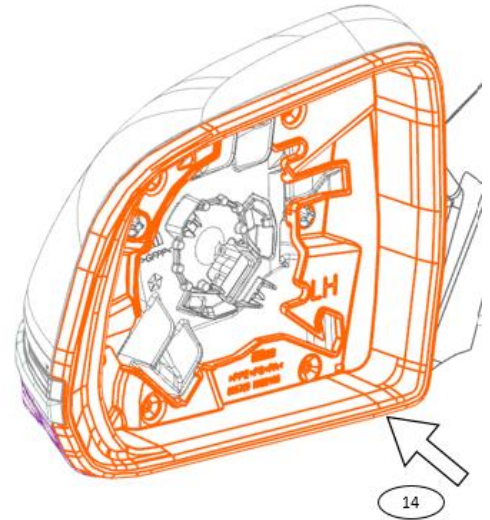
Contact STAR Center, or your Technical Assistance Center Via TechCONNECT or eCONTACT ticket if no solution is found



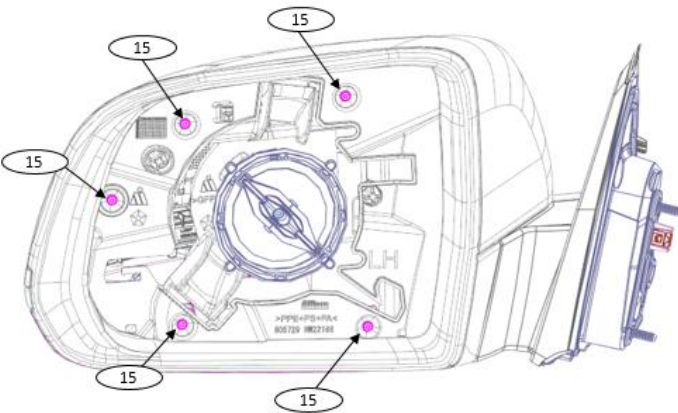
STAR ONLINE PUBLICATION



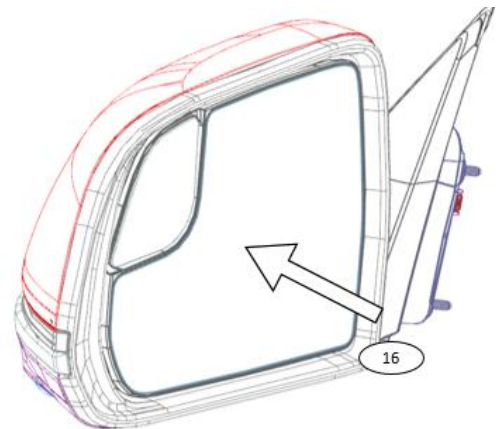
13. Put mirror cap in place. Make sure the 3 tabs are aligned to the plastic bracket.



14. Put bezel in place and push until hear a snap sound.



15. With the torx driver fasten the 5 fasteners back in position. Torque: 10 in-lbf



16. Push glass case back in position, make sure the engaging tabs are firm in place. Gentle push the glass up and down to ensure it is locked.

This document does not authorize warranty repairs. This communication documents a record of past experiences. STAR Online does not provide any conclusions about what is wrong with the vehicle. Rather, it captures all previous cases known that appear to be similar or related to the vehicle symptom / condition. You are the expert, and you are responsible for deciding on the appropriate course of action.

Contact STAR Center, or your Technical Assistance Center Via TechCONNECT or eCONTACT ticket if no solution is found