

Hood Insulation with Adhesive Backing

M-821-003

(June 2008)

Valid for

Mack CXU models built before February 2008.

Case description

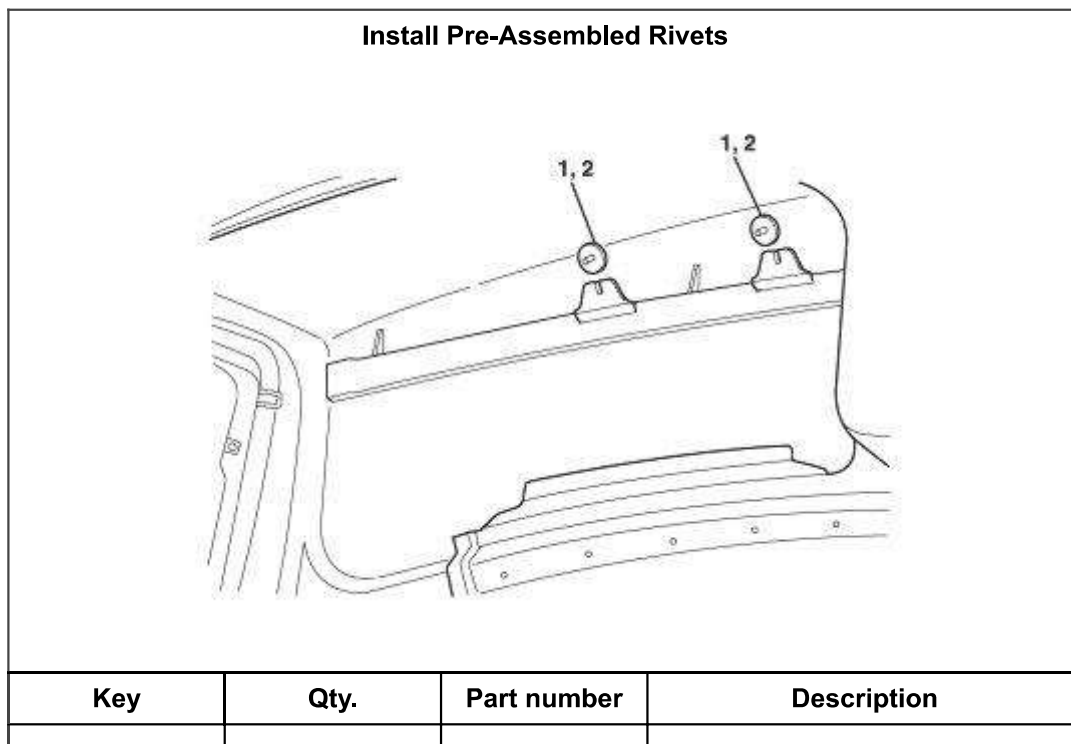
On CXU model chassis, the fasteners used to secure the sound insulation material to the hood may not be sufficient for holding the material in place. Effective February 12, 2008, revised sound insulation material (part Nos. 9RU4223M [82197159] and 9RU4224M [82197161]) having an adhesive applied to the back of the material was implemented into production. Should complaints of the sound insulation material coming loose and falling off the hood be encountered, replacement of the existing material with these revised insulation pieces is recommended.

Note: Not applicable to Mack Trucks Australia.

Note: The revised insulation material is supplied in two pieces (left and right-hand sides) for ease of assembly.


Installation procedure

1. Secure the chassis for service, apply the parking brakes and block the wheels to prevent the vehicle from moving.
2. Open the hood, and then remove the existing sound insulation material and fasteners.
3. Using a clean rag, clean the underside surfaces of the hood where the adhesive on the sound insulation will be in contact. The surfaces must be clean and thoroughly dry. If the surface is contaminated with oil or grease, use a 50/50 mixture of isopropyl alcohol and water, or 3M Prep Solvent-70 to remove the oil and grease from the surface.
4. Pre-assemble the rivets (part number 337AM7 [25087609]) and washers (part number 281AM5009 [25155206]), and then insert the rivet assemblies into the slotted tabs located on both sides of the hood.



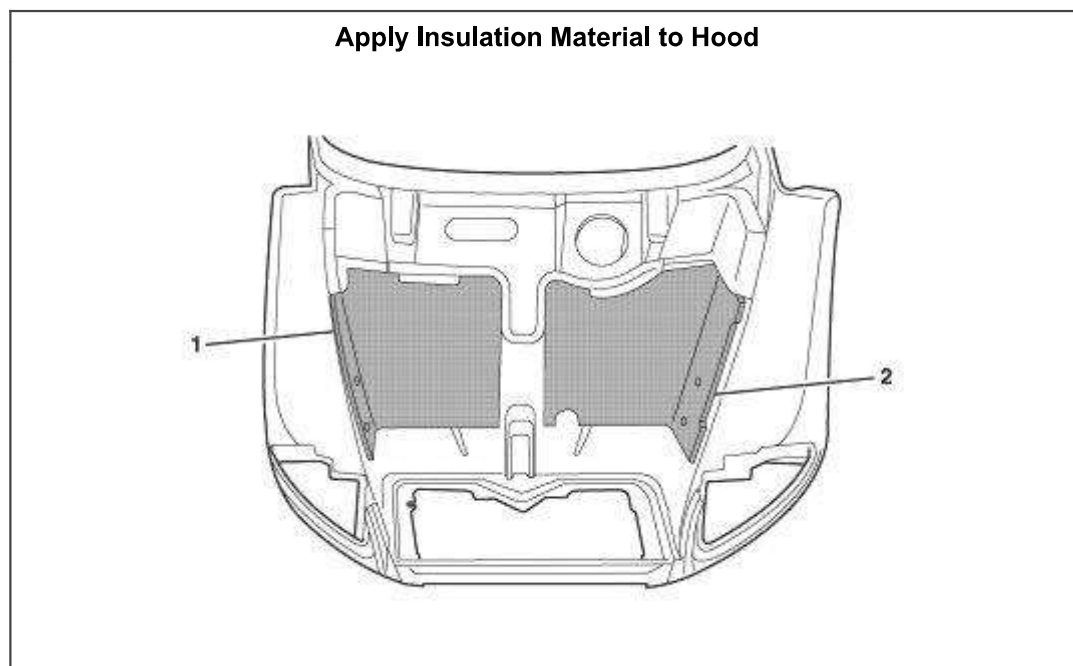
1	4	337AM7 (25087609)	Rivet
2	4	281AM5009 (25155206)	Washer, 7 mm inside diameter, 45 mm outside diameter

5. Remove the backing material from the back of the insulation material (part Nos. 9RU4224M [82197161], right-hand side, and 9RU4223M [82197159], left-hand side).

<p>Remove Backing Material from Adhesive Strips</p>  T8186403
<p>1. Split Line in Backing Material</p>

6. Position the insulation material on the underside of the hood, and then apply sufficient force (approximately 7 kg [15 lbs]), preferably with a roller, to ensure good surface contact between the adhesive and the hood.

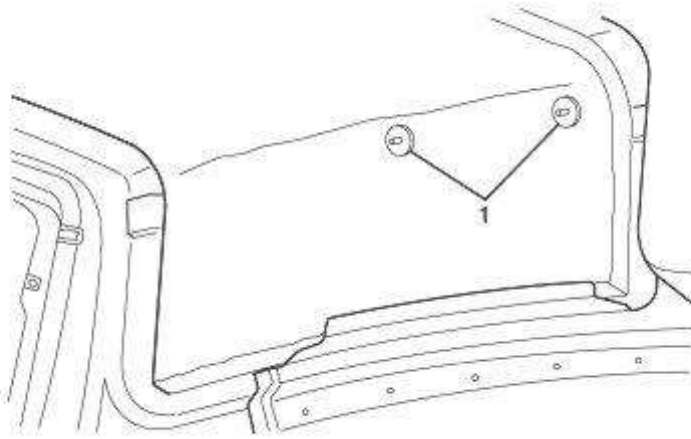
Note: The insulation must be applied to the hood within 10 minutes after the backing has been removed from the adhesive.



Key	Qty.	Part number	Description
1	1	9RU4223M (82197159)	Sound insulation, left-hand side
2	1	9RU4224M (82197161)	Sound insulation, right-hand side

7. Install the washers (part number 25155206) onto the rivets.

<p>Install Washers</p>



Key	Qty.	Part number	Description
1	4	281AM5009 (25155206)	Washer, 7 mm inside diameter, 45 mm outside diameter

Warranty Information

Reimbursement

This repair may be eligible for reimbursement if a product failure was experienced within time and mileage limits of the applicable Warranty coverage. Reimbursement is obtained via the normal claim handling process.

Claim Type (used only when uploading from the Dealer Bus. Sys.)

01

Labor Code

Primary labor code

639 3A 00 80 — 0,5 hrs. —
Time allowed to replace
sound insulation material on
hood of CXU model chassis.
Does not include “take
charge” time.

Issued by

Technical Service

Mack Trucks, Inc. engages in a continuous program of testing and evaluating to provide the best possible product. Mack Trucks, Inc., however, is not committed to, or liable for updating existing chassis.