

Fine Particulate Filter for HVAC Units

M-874-002

(January 2008)

Valid for

All Mack CXU,CHU,GU models.

Case description

A pleated fine-particulate HVAC filter (part number 85112361) has been developed for the HVAC units in CXU, CHU, GU, CXP and CTP models. This filter is ideal for vehicles operating in dusty environments and for drivers who have allergies to airborne pollutants. This filter traps micro-particles, dust, pollen and most allergens.



Caution

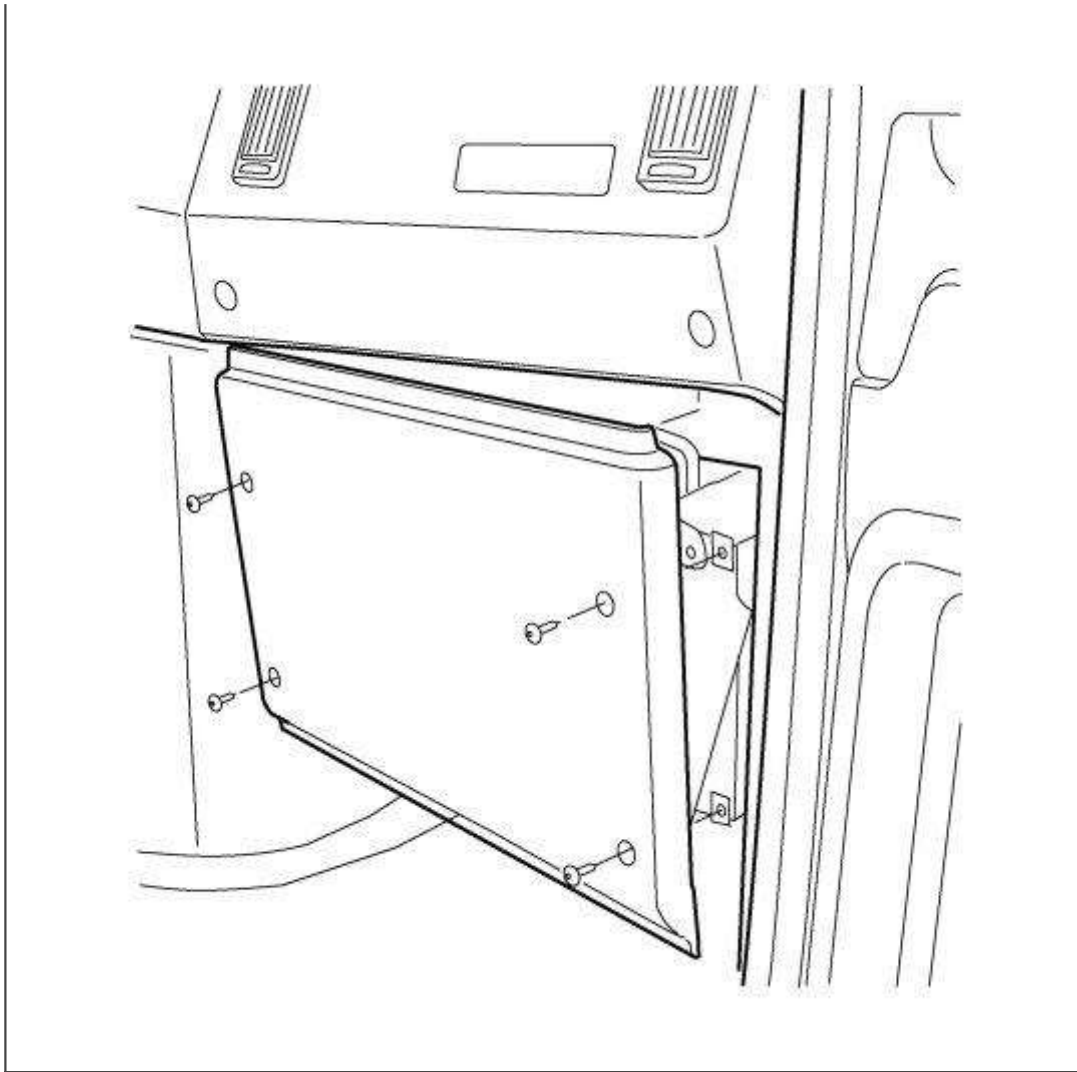
Diminished, or lack of air flow coming from the HVAC vents indicates that filter replacement is necessary.

DO NOT attempt to clean the pleated filter. Always replace a pleated filter with a new filter when replacement becomes necessary (the standard fiber filter may be washed, dried and reused).

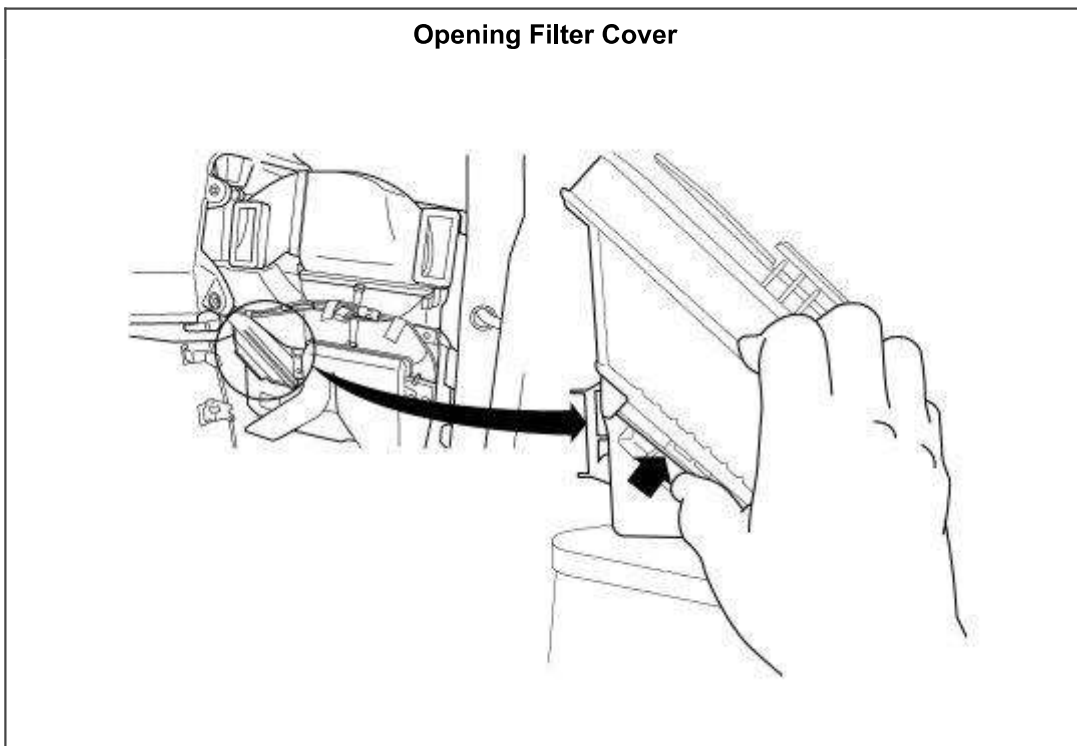
Procedure

1. Remove the four No. 27 Torx® fasteners that secure the kick panel underneath the dash panel on the passenger's side to access the HVAC unit.

Remove Kick Panel for Access

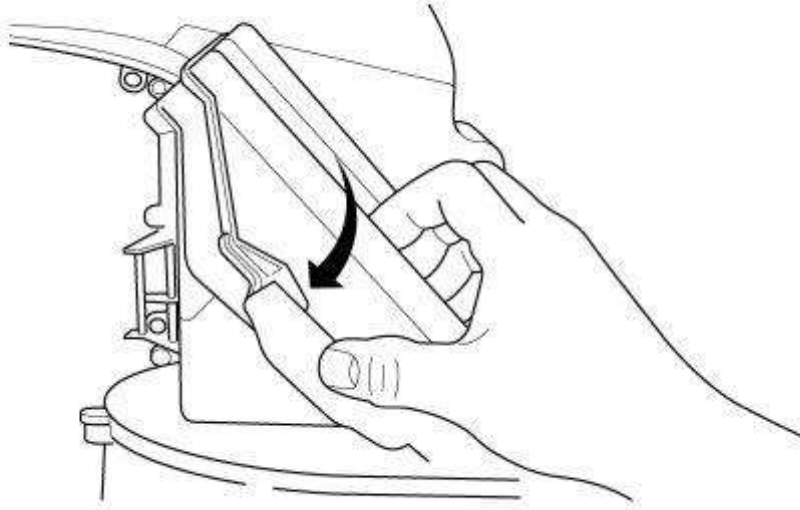


2. Press the tab to release the cover.



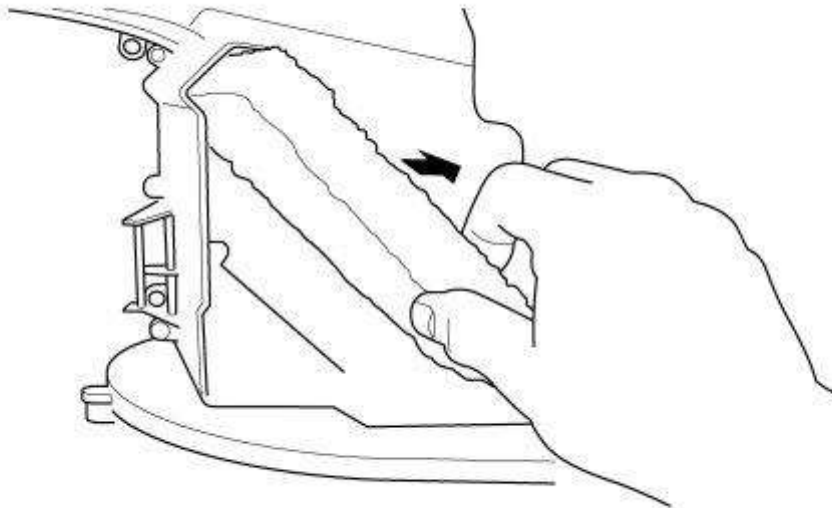
3. Pivot the cover outward and then down to release the cover tabs from the HVAC case.

Removing Filter Cover



4. Remove the existing filter and then install the replacement pleated filter (part number 85112361).

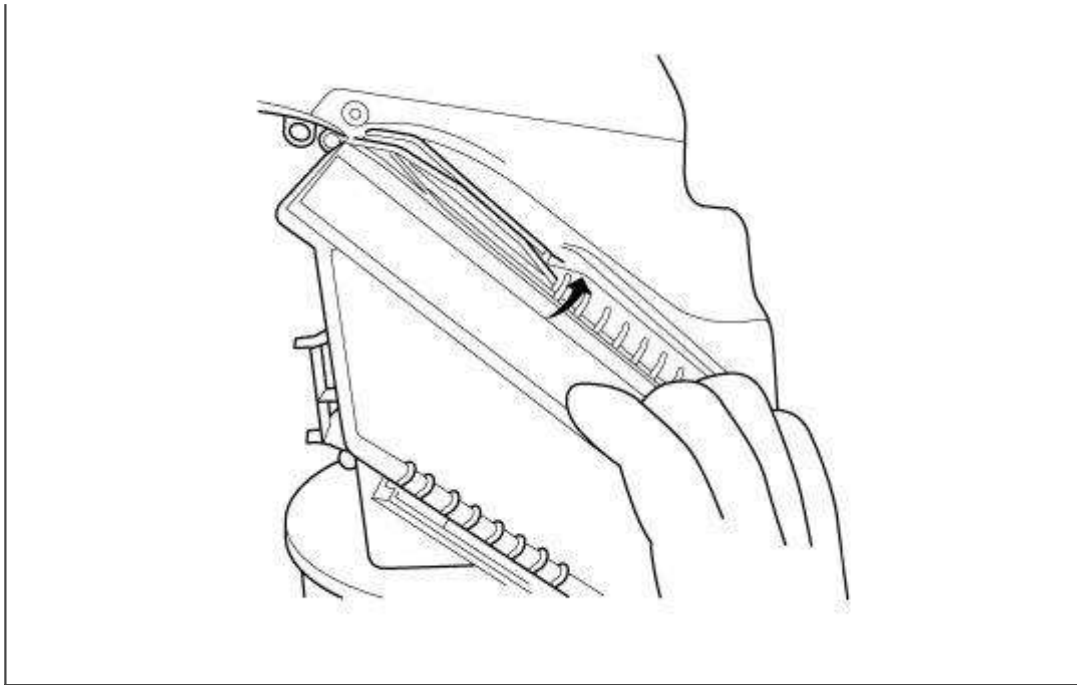
Removing Filter



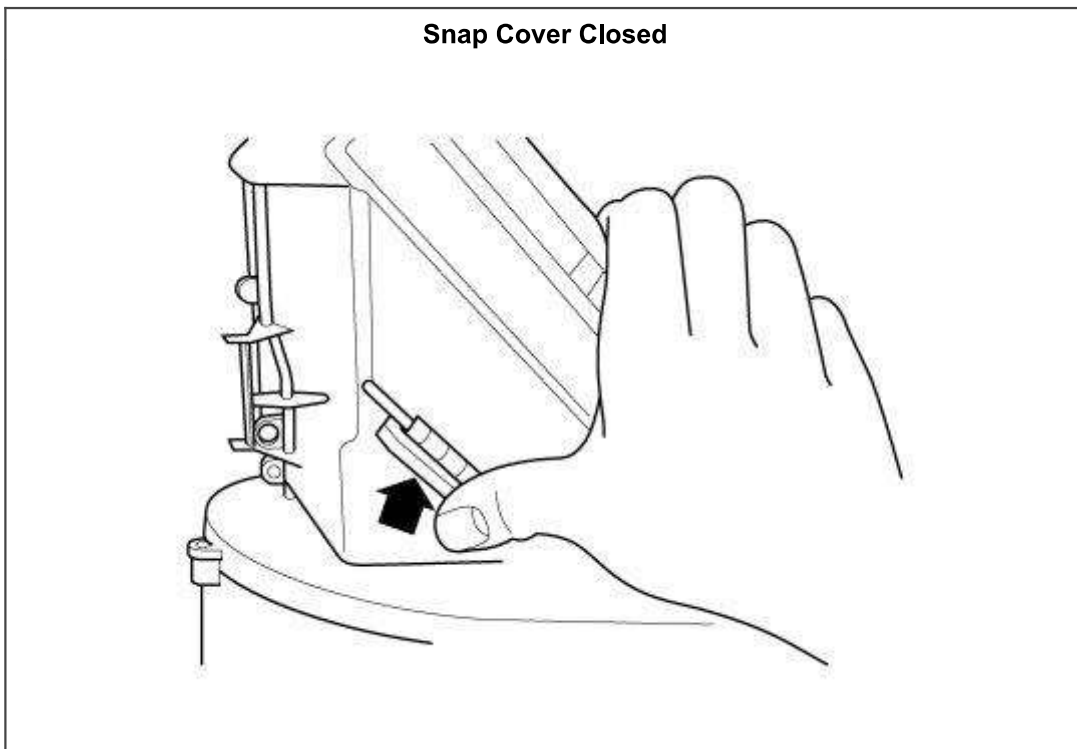
5. Insert the filter cover tabs underneath HVAC casing, and then pivot the cover downward.

Insert Filter Cover Tabs

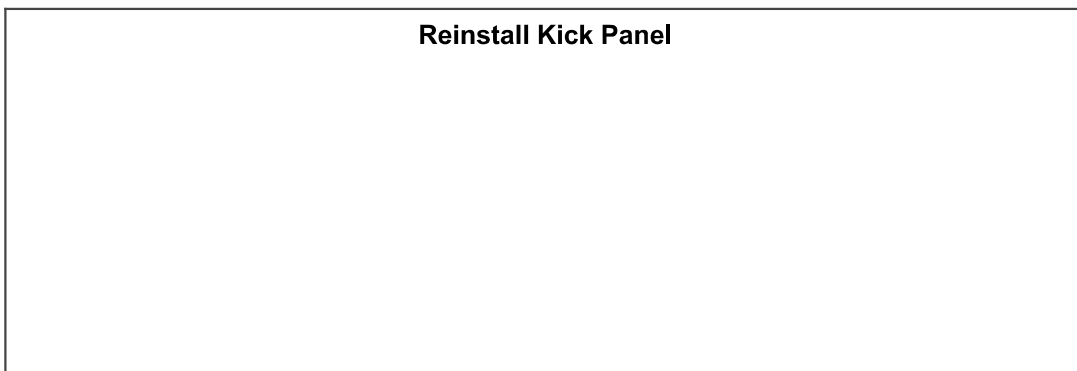


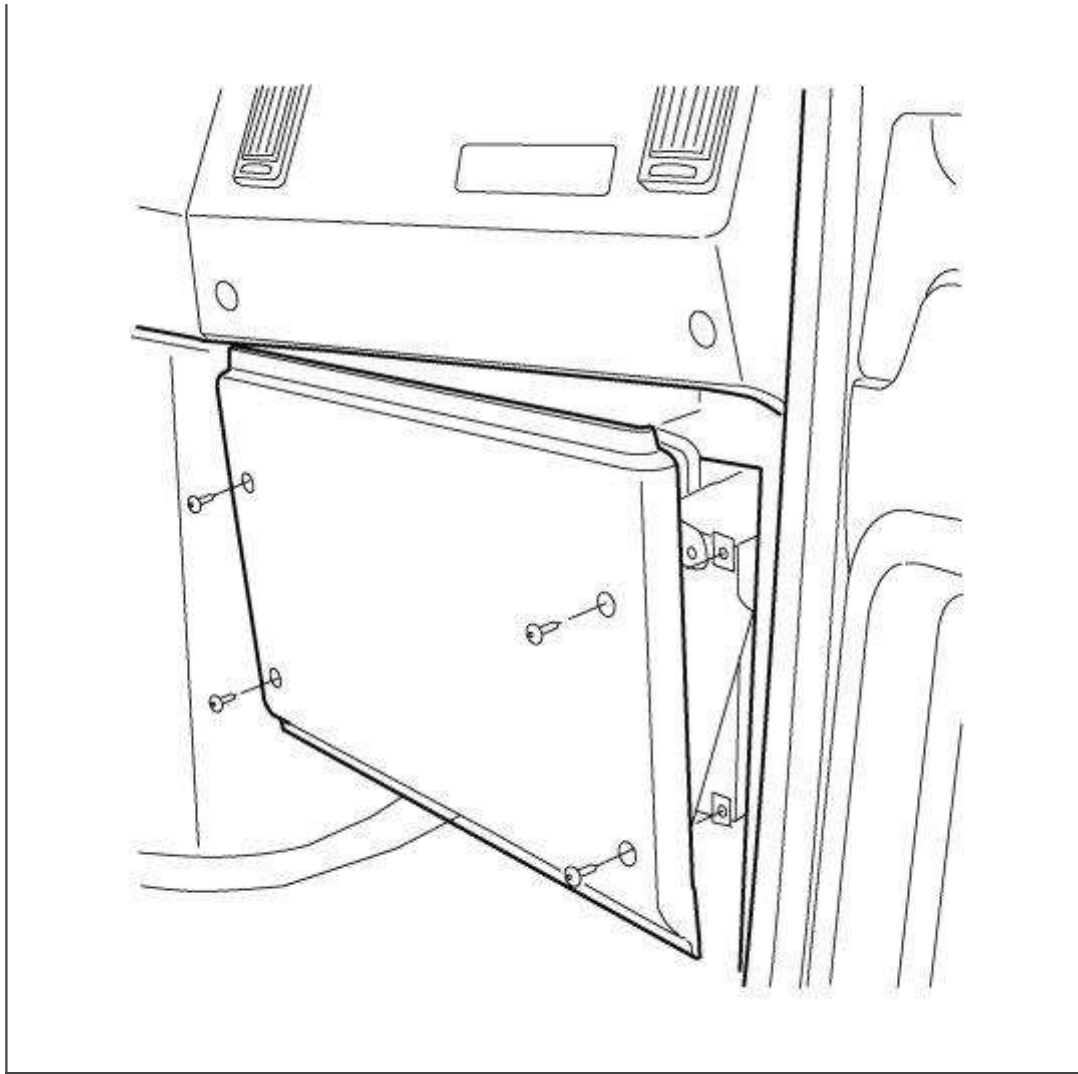


6. Push the cover until the catch snaps closed.



7. Reinstall the passenger-side kick panel.





Issued by

Technical Service

Mack Trucks, Inc. engages in a continuous program of testing and evaluating to provide the best possible product. Mack Trucks, Inc., however, is not committed to, or liable for updating existing chassis.