

Cooling System Connections for In-Transit Heat

M-260-001

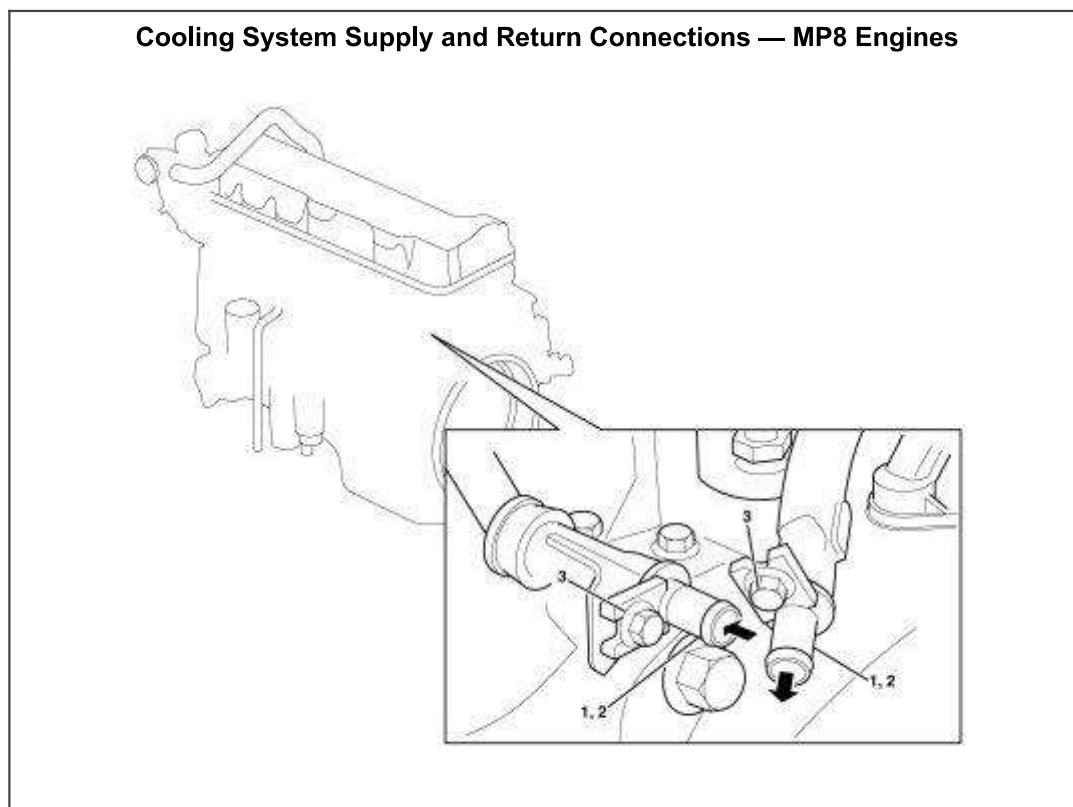
(May 2008)

Valid for

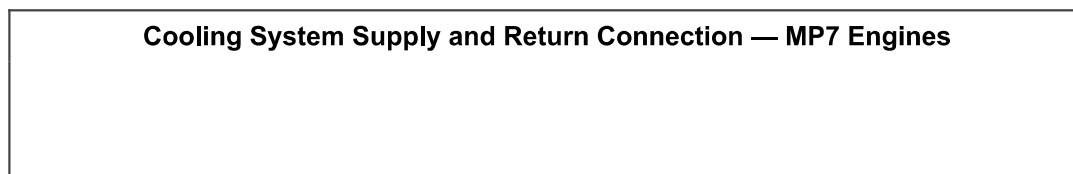
All CXU,CHU,GU,MRU,LEU Models with an MP7-MP8 engine

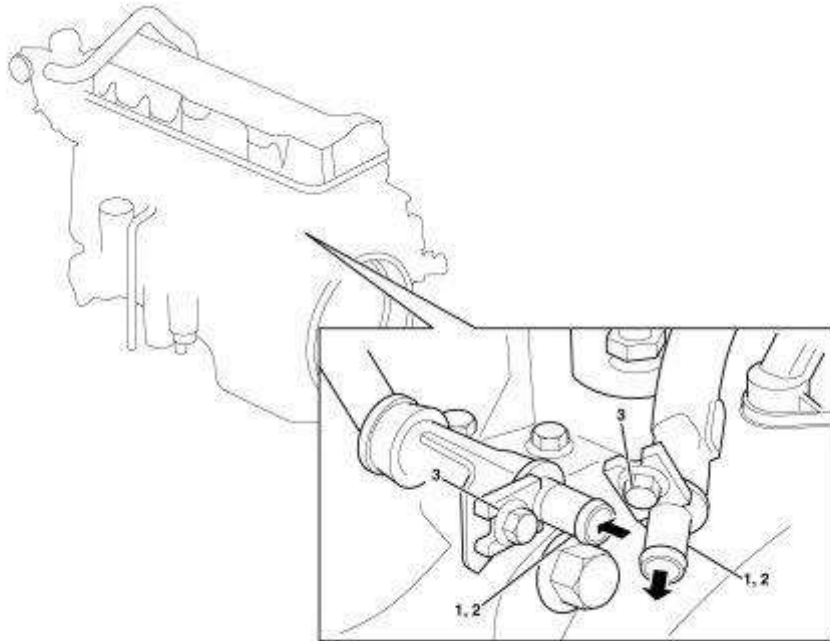
Case description

For chassis used in operations where the cargo must be kept warm by heat from the engine coolant, connections are available at the back of the engine to connect 5/8" heater hose and provide the necessary coolant flow to the truck body or trailer. The following illustrations and part number charts show the locations of the coolant supply and return connections, along with the part numbers for the stub pipes, sealing rings and necessary hardware.



Key	Qty.	Part number	Description
1	2	21087921	Pipe, stub assembly, coolant supply and return (arrows in illustration above indicate direction of coolant flow)
2	2	20566808	Ring, sealing
3	2	946173	Flange screw, M8 x 1.25–20 mm long





Key	Qty.	Part number	Description
1	1	21038748	Pipe, stub assembly, coolant return
2	1	20566808	Ring, sealing
3	2	946173	Flange screw, M8 x 1.25–20 mm long
4	1	21092290	Pipe, stub assembly, coolant supply
5	1	1547252	Ring, sealing
6	2	946440	Flange screw, M8 x 1.25–16 mm long
7	1	948645	Flange lock nut, M8 x 1.25 mm long
8	1	977976	Clamp
9	1	965558	Bracket, coolant return support

Note: On GU models equipped with a fuel heater and engine coolant is used to heat the fuel, these connections provide the flow of coolant to the fuel heater and cannot be used for in-transit heat.

Note: Not applicable to Mack Trucks Australia.

Issued by

Technical Service