

September 30, 2022

Version 3

Safety Recall: 2018-19 HR-V 2WD Fuel Pump Motor

This bulletin replaces 20-046 *Safety Recall: 2018–19 HR-V Fuel Pump Motor*.

Supersedes 20-053, dated July 30, 2021, to revise the information highlighted in **yellow**.

AFFECTED VEHICLES

Year	Model	Trim Level	VIN Range
2018–19	HR-V 2WD	ALL	Check the iN VIN status for eligibility.

REVISION SUMMARY

Under REPAIR PROCEDURE, step 20.4 was revised.

BACKGROUND

Due to swelling of the fuel pump motor impeller, the fuel pump may seize and stop working. If this occurs, the engine may not start, or the engine could stall while driving, increasing the risk of a crash.

This service bulletin is only for the HR-V 2WD. If working on an HR-V AWD, go to service bulletin 20-052 *Safety Recall: 2018-19 HR-V AWD Fuel Pump Motor*.

CUSTOMER NOTIFICATION

Owners of affected vehicles will be sent a notification of this campaign.

Do an iN VIN status inquiry to make sure the vehicle is shown as eligible.

Failure to repair a vehicle subject to a recall or campaign may subject your dealership to claims or lawsuits from the customer or anyone else harmed as a result of such failure. To see if a vehicle in inventory is affected by this safety recall, do a VIN status inquiry before selling it.

CORRECTIVE ACTION

Replace the fuel pump motor.

CUSTOMER INFORMATION: The information in this bulletin is intended for use only by skilled technicians who have the proper tools, equipment, and training to correctly and safely maintain your vehicle. These procedures should not be attempted by “do-it-yourselfers,” and you should not assume this bulletin applies to your vehicle, or that your vehicle has the condition described. To determine whether this information applies, contact an authorized Honda automobile dealer.

PARTS INFORMATION

NOTE: Due to limited supply, this is a controlled part and requires a valid VIN when ordering.

Part Name	Part Number	Quantity
Fuel Pump Motor Kit (2WD)	06170-TRN-305	1
Shift Knob Screws (CVT Only)	54903-SYA-981	2

For dealers experiencing a strong fuel smell from storing a fuel pump motor replaced under this service bulletin, the fuel pump motor may be disposed of immediately in accordance with local regulations. This only applies to the fuel pump motor replaced under this service bulletin. The published retention policy remains in effect for all other parts. If you have any questions about this exception or other parts retention issues, contact the WPI Administrative Office at **937-642-2737**.

TOOL INFORMATION

Tool Name	Tool Number	Quantity
Fuel Nut Wrench (Fuel Sender Wrench)	07AAA-S0XA100	1
Fuel Module Separator Set	07AAF-T5RA100	1

WARRANTY CLAIM INFORMATION

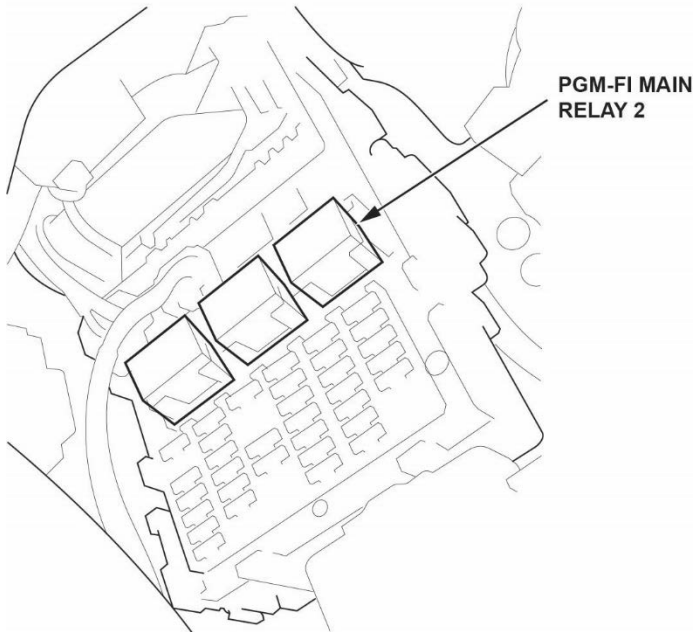
Operation Number	Description	Flat Rate Time	Defect Code	Symptom Code	Template ID	Failed Part Number
3101HK	Replace the fuel pump motor.	1.7 hr	6FE00	O7W00	A20053A	17045-T7W-A00

REPAIR PROCEDURE

⚠ WARNING

Fuel pump motor removal exposes fuel, which can ignite, causing a fire or explosion.
This can cause serious injury or death.
Always work in a well-ventilated area, and keep sparks or open flames away.

1. Apply the parking brake.
2. Relieve the fuel pressure.
 - 2.1. Remove the fuel fill cap to relieve the pressure in the fuel tank.
 - 2.2. Remove PGM-FI main relay 2 from the under-dash fuse/relay box.

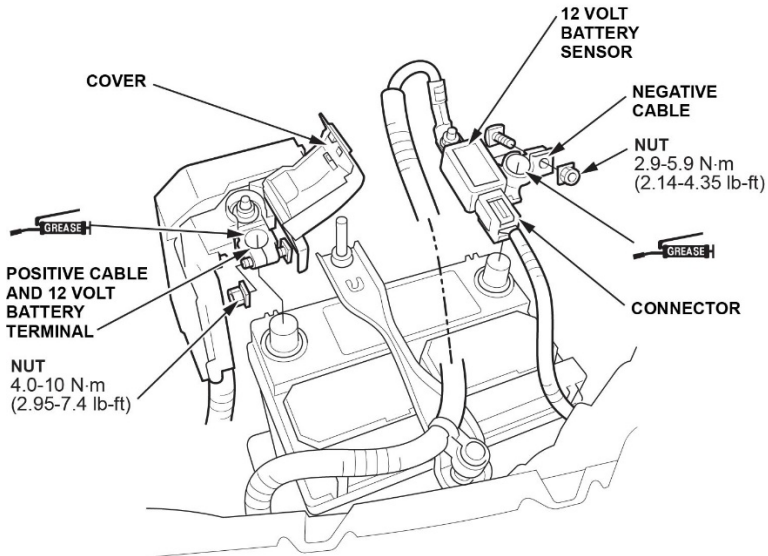


- 2.3. Start the engine, and let it idle until it stalls.
- 2.4. Turn the ignition to OFF.
- 2.5. Install PGM-FI main relay 2.

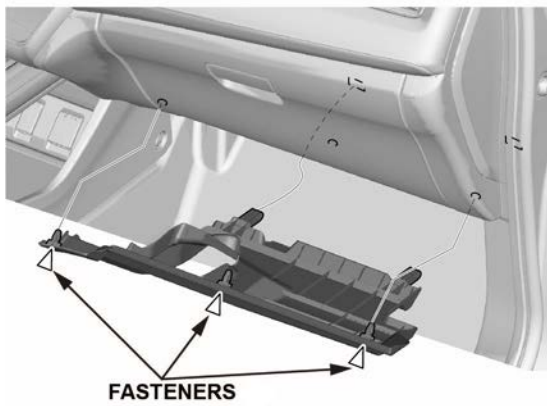
3. Disconnect both 12-volt battery terminals.

NOTICE

- Always disconnect the negative terminal first.
- To protect the terminal connector from damage, do not hold it when removing the terminal.
- Do not disconnect the 12-volt battery sensor from the cable.



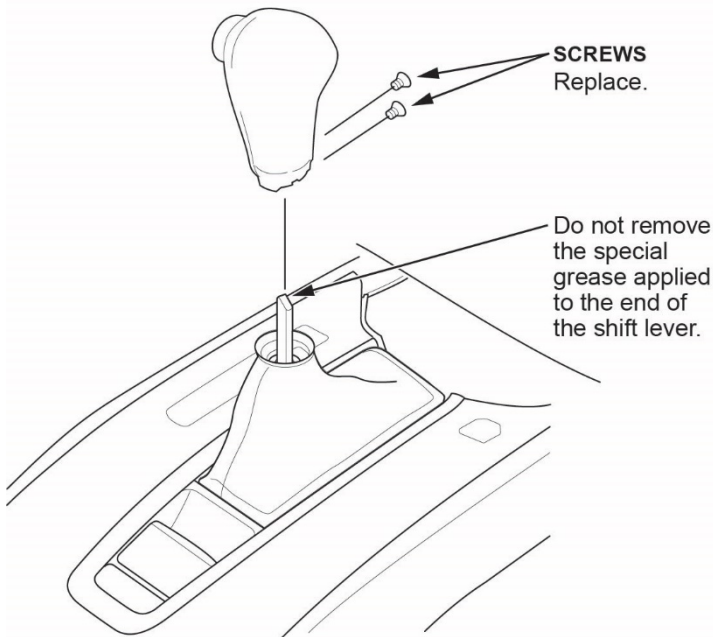
4. Remove the passenger's dashboard undercover.



5. Remove the shift lever knob.

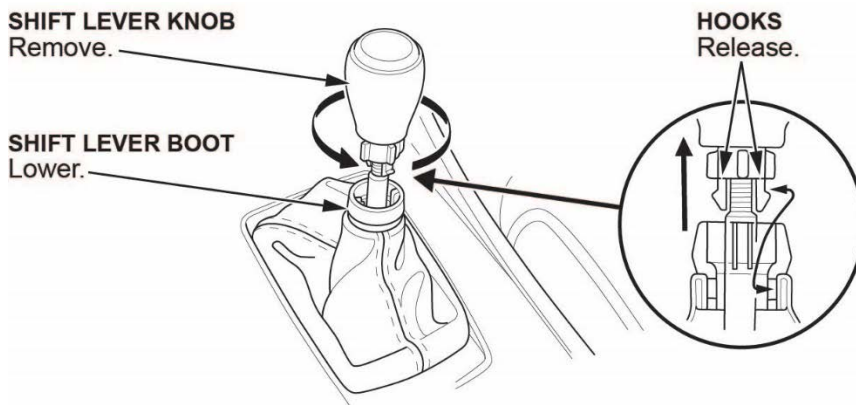
CVT Models

NOTE: Do not remove the special grease applied to the end of the shift lever.

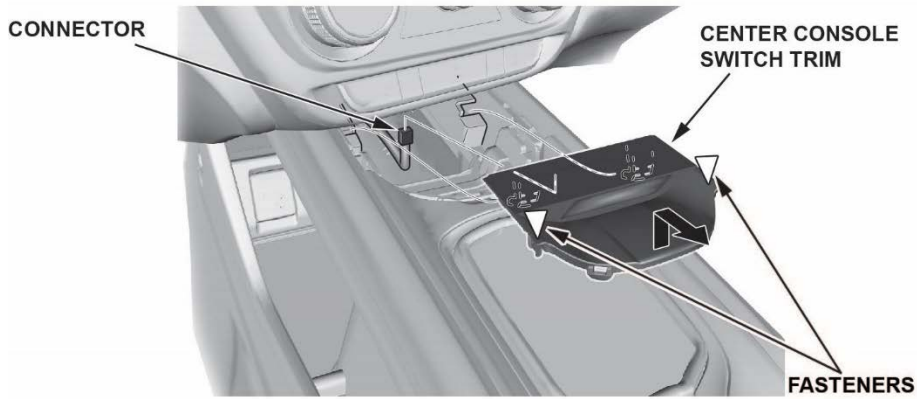


M/T Models

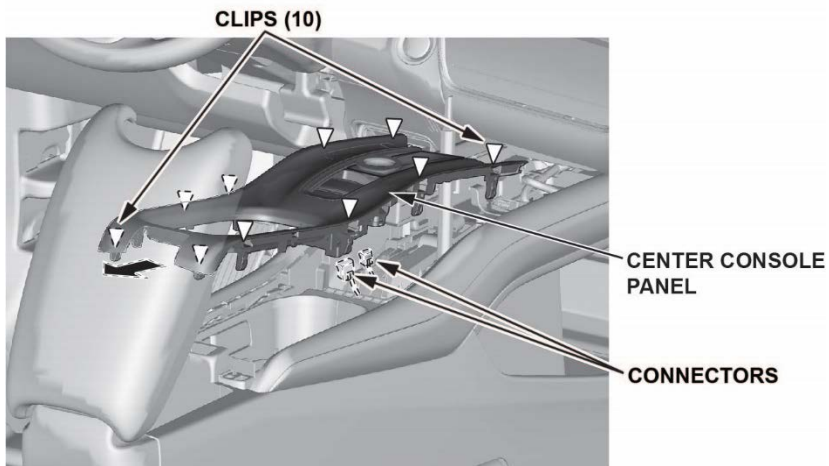
Lower the shift lever boot to release the hooks from the boot. Then, remove the shift lever knob.



6. Remove the center console switch trim, and disconnect the connector.



7. Remove the center console panel.

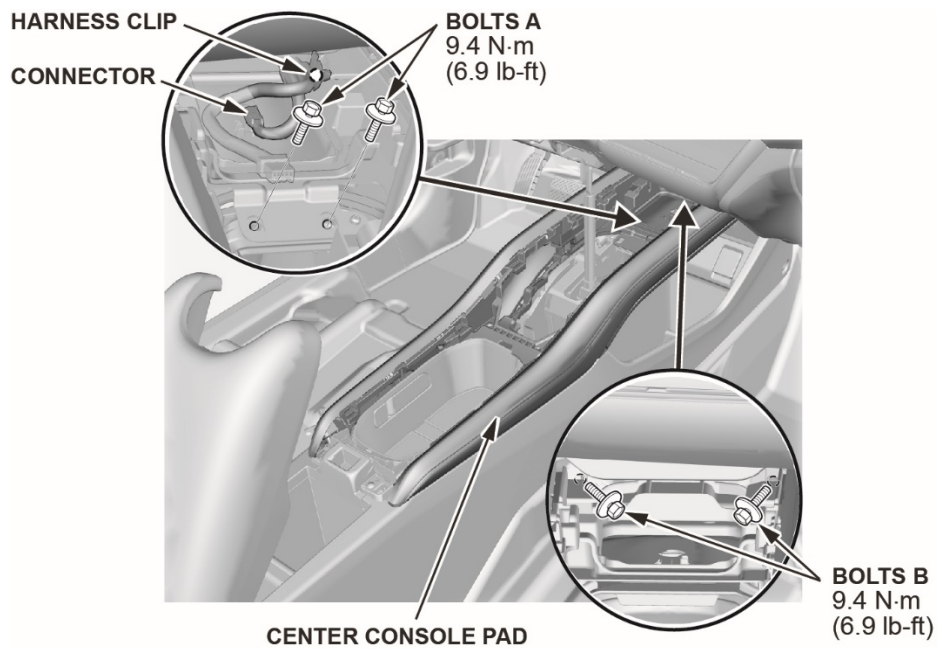


7.1 *For some models:* Disconnect the connectors.

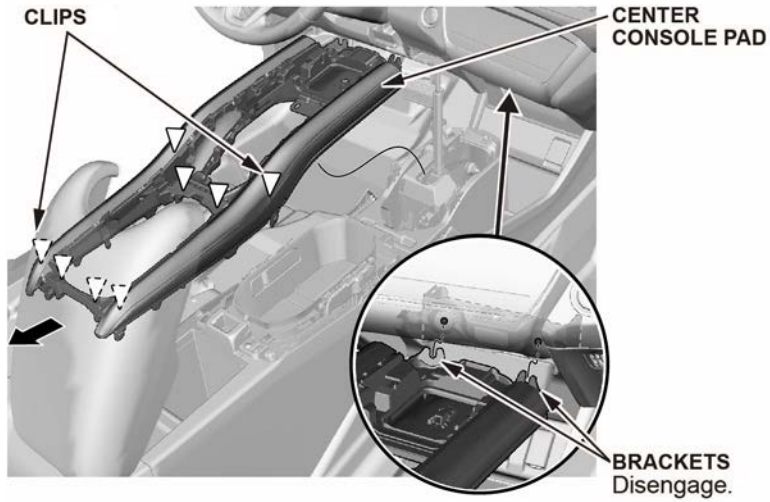
8. Remove the center console pad.

8.1 Remove bolts A, and loosen bolts B.

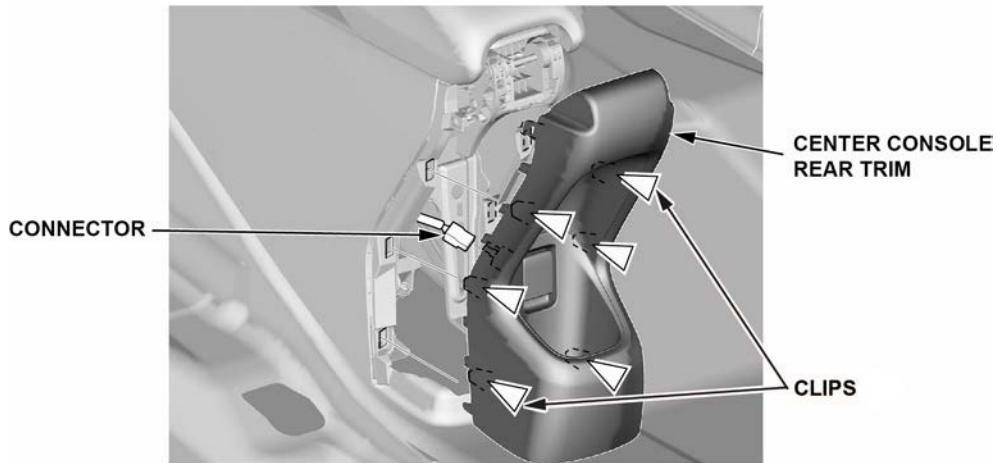
NOTE: Make sure not to drop the bolts when loosening them.



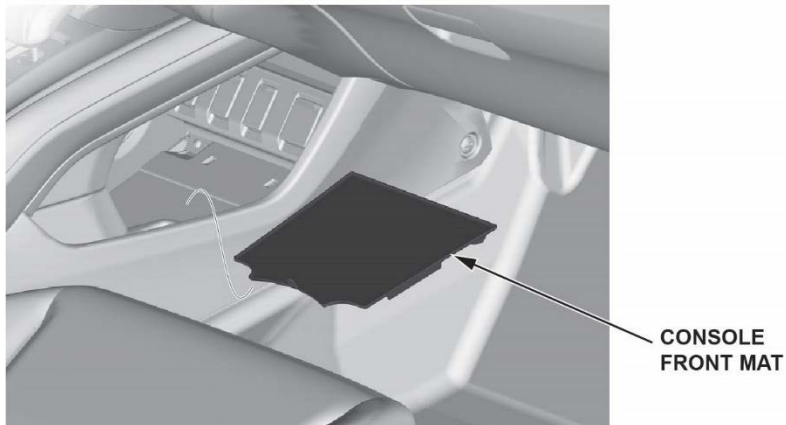
- 8.2 Disconnect the connector.
- 8.3 Remove the harness clip.
- 8.4 Remove the center console pad, and disengage the brackets from the bolts.



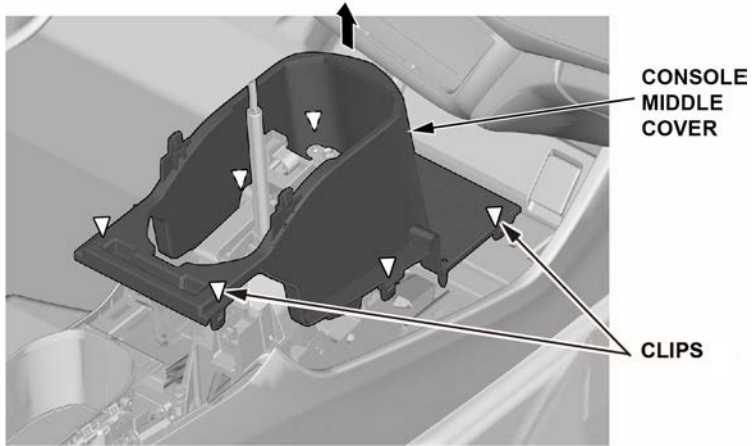
- 9. Remove the center console rear trim, and disconnect the connector.



- 10. Remove the console front mat.

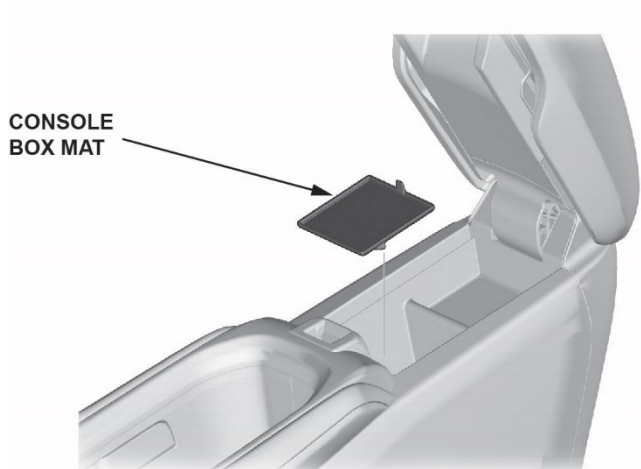


11. Remove the console middle cover.

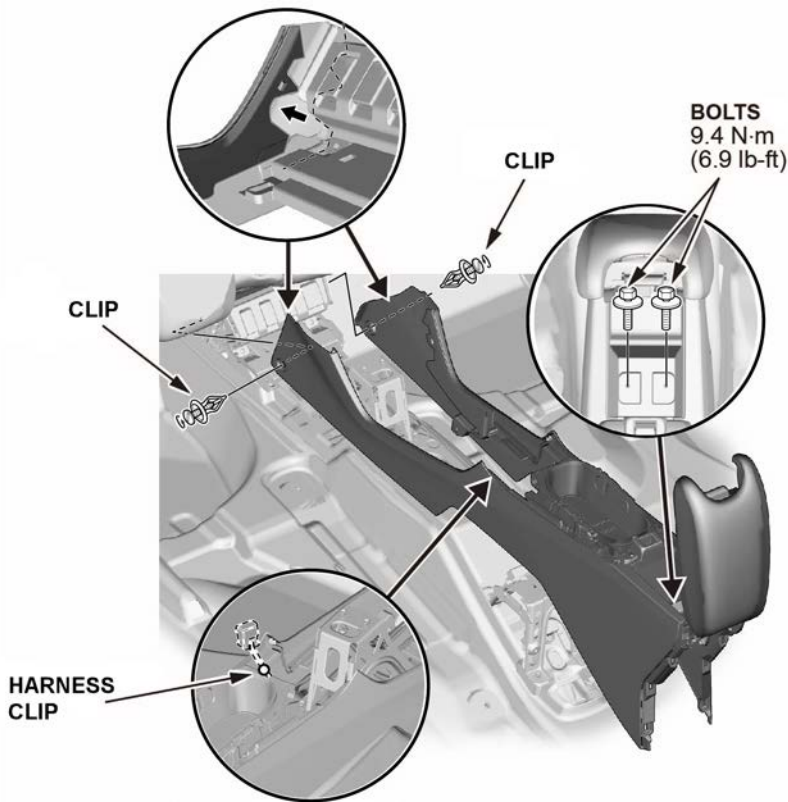


12. Remove the center console.

12.1. Remove the console box mat.



12.2. Remove the bolts and clips.



12.3. Remove the harness clip.

12.4. Remove the center console.

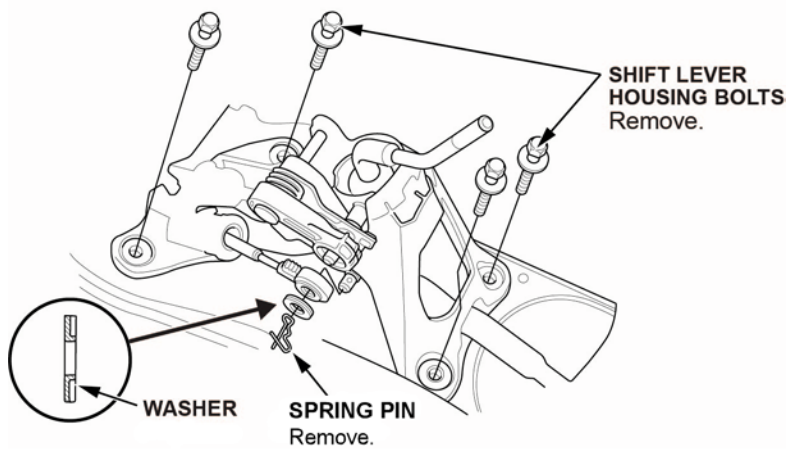
13. *M/T Models Only*: Remove the shift lever housing (M/T).

NOTE: The shift cable is attached to the shift lever.

Shift Lever Housing (M/T)

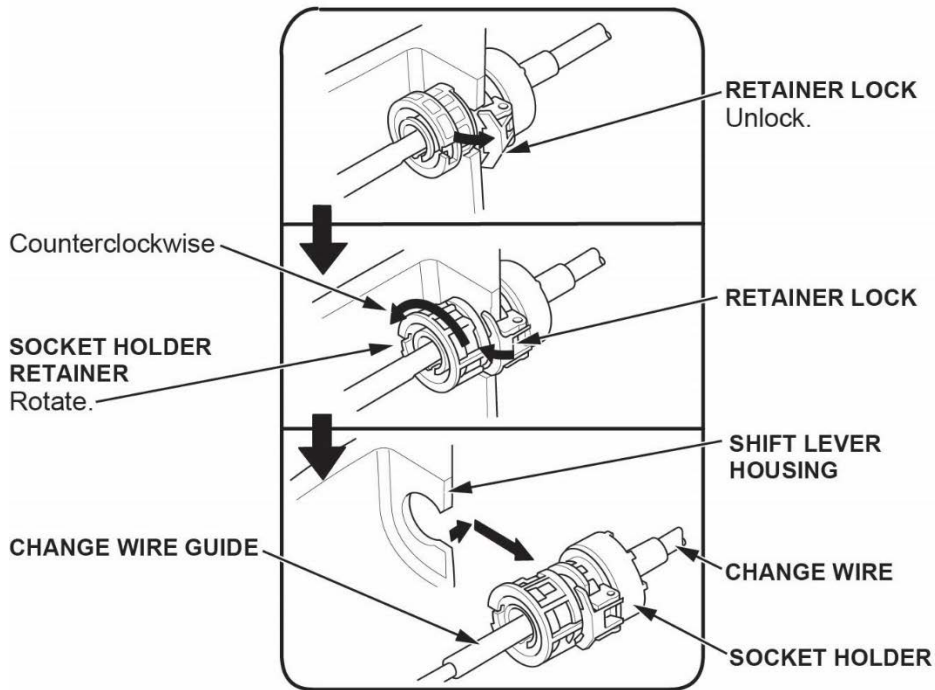
NOTE: Do not bend the change wire excessively.

13.1 Remove the spring pin and washer. Do not lose them, they will be reused for installation.



13.2 Remove the shift lever housing bolts.

13.3 Unlock the retainer lock.

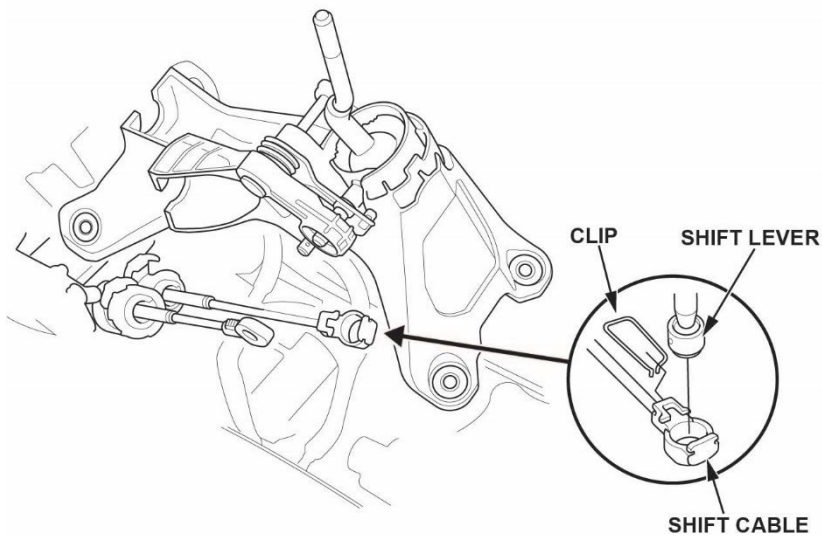


13.4 Rotate the socket holder retainer counterclockwise until it stops, then push the retainer lock into the socket holder retainer to lock the retainer.

13.5 Slide the socket holder and change wire out of the shift lever housing.

NOTE: Do not remove the change wire by pulling the change wire guide.

13.6 Remove the clip.



13.7 Disconnect the shift cable from the shift lever.

14. *CVT Models Only*: Remove the shift lever (CVT).

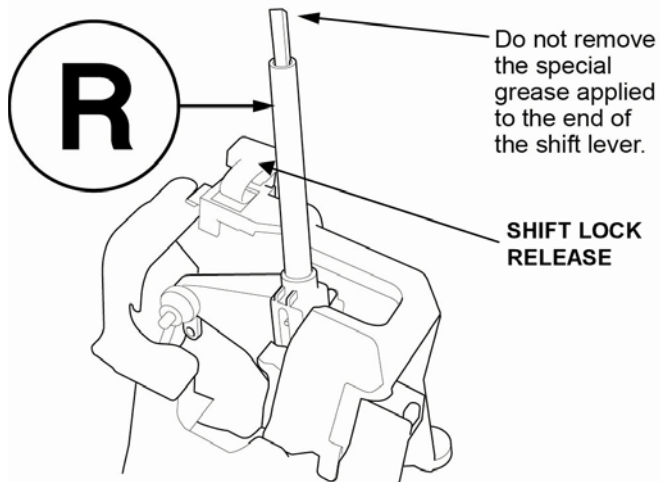
NOTE: The shift cable is attached to the shift lever.

Shift Lever (CVT)

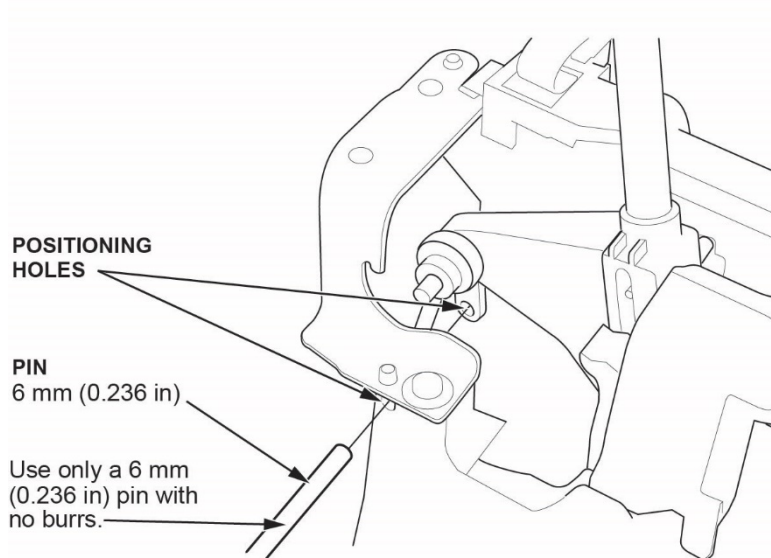
14.1 Shift to Reverse.

NOTE:

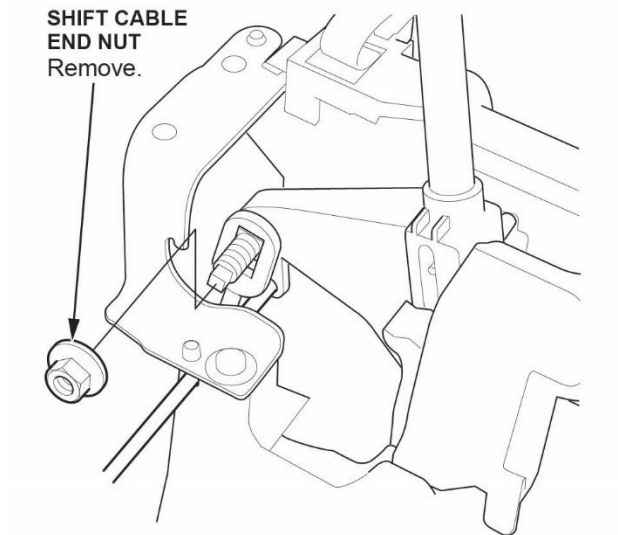
- To shift to Reverse, push down the shift lock release, then move the shift lever to R.
- Do not remove the special grease applied to the end of the shift lever.



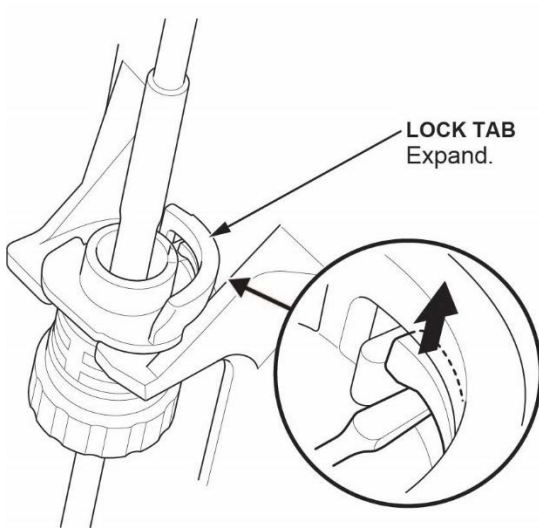
14.2 Insert a **6 mm (0.236 in)** pin with no burrs into the positioning holes.



14.3 Remove the shift cable end nut.

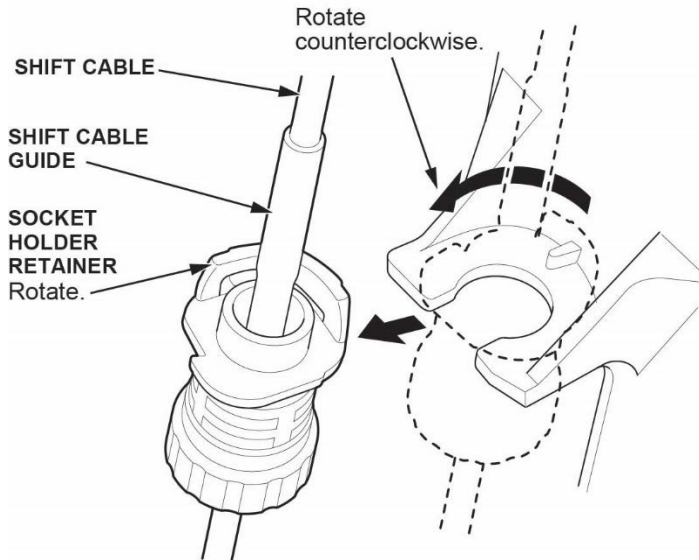


14.4 Expand the lock tab.

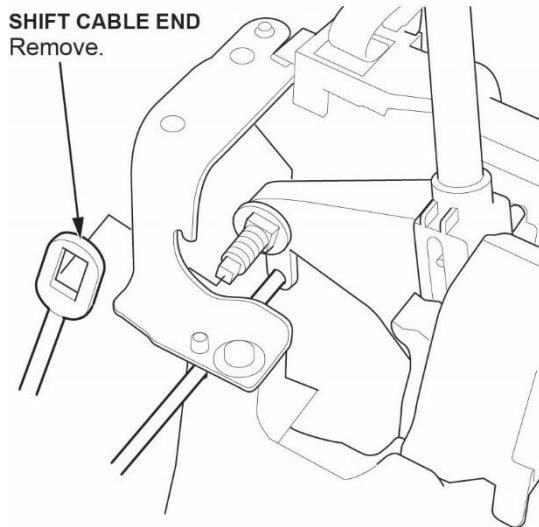


14.5 Rotate the socket holder retainer counterclockwise until it stops, then remove the shift cable.

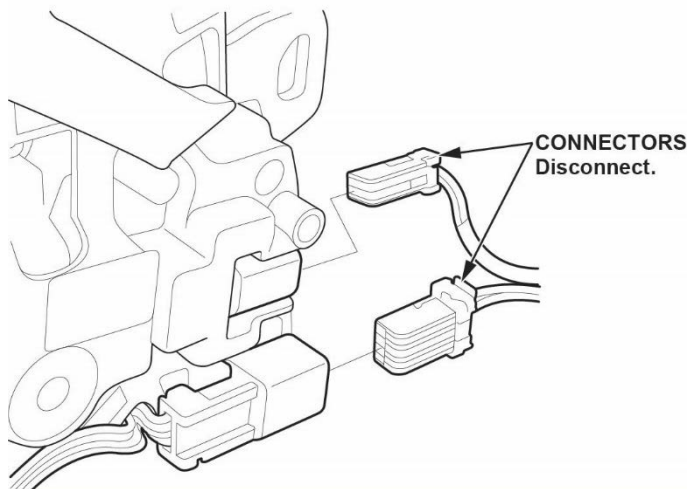
NOTE: Do not remove the shift cable by pulling the shift cable guide.



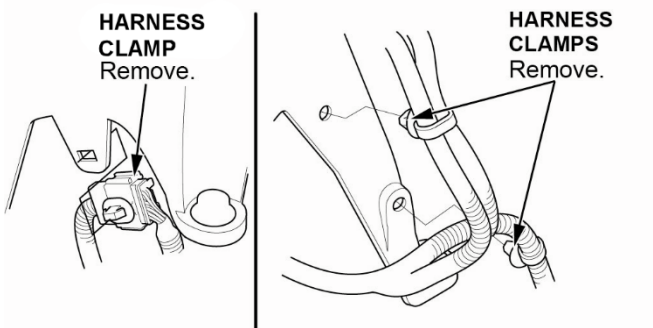
14.6 Remove the shift cable end.



14.7 Disconnect the connectors.

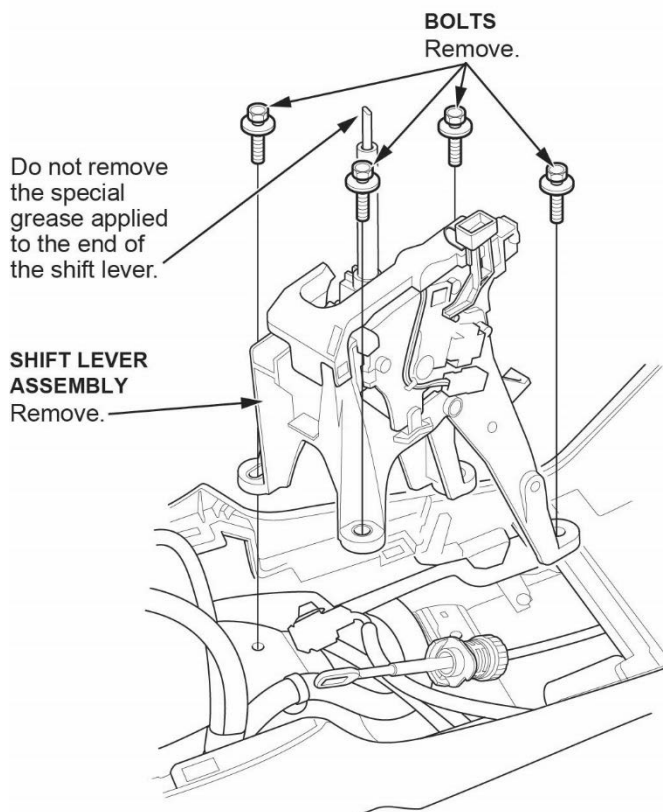


14.8 Remove the harness clamps.

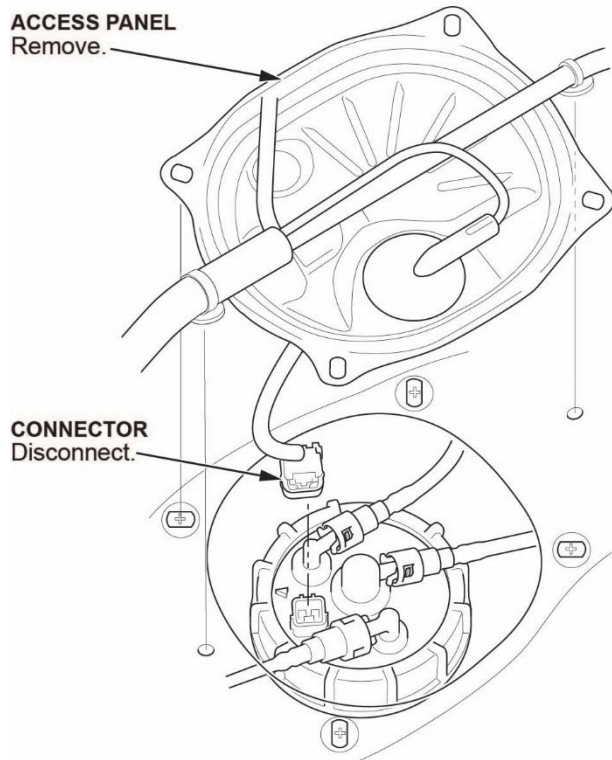


14.9 Remove the shift lever assembly.

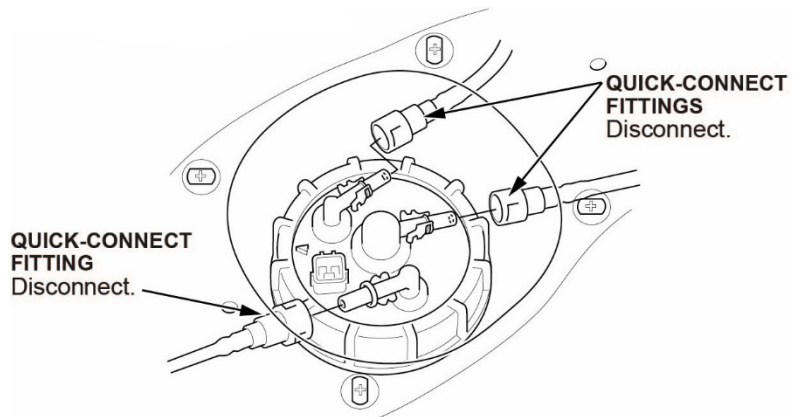
NOTE: Do not remove the special grease applied to the end of the shift lever.



15. Remove the fuel tank unit access panel, and disconnect the connector.

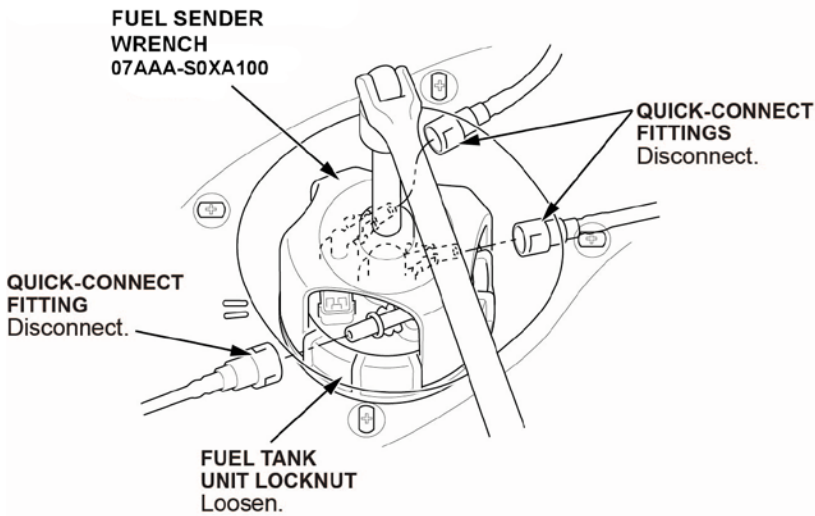


16. Place a rag or shop towel over the quick-connect fitting and hoses, and disconnect them.



17. Loosen the fuel tank unit locknut using the Fuel Sender Wrench (T/N 07AAA-S0XA100).

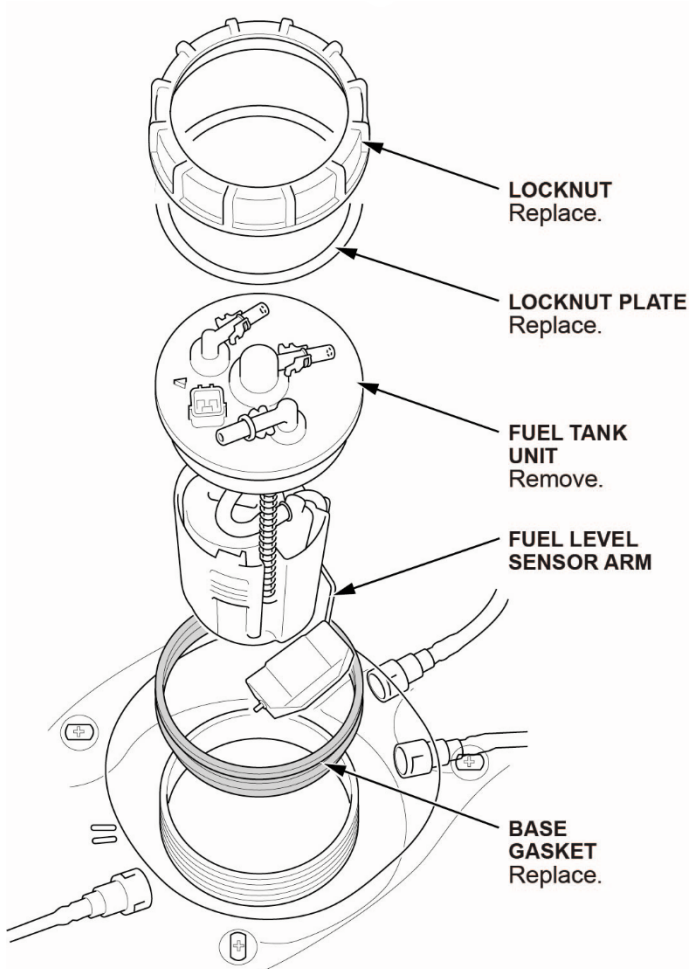
NOTE: After unlocking the fuel tank unit cam lock ring, clean the top of the fuel pump flange and adjacent areas to make sure it's free of dirt, dust, and debris.



18. Remove the fuel tank unit locknut, then remove the fuel tank unit.

NOTE:

- Make sure not to bend or twist the fuel level sensor arm excessively.
- After removing the fuel pump unit, clean the fuel tank around the fuel pump opening.
- After removing the fuel pump base gasket, clean the fuel tank around the base gasket opening and make sure it's free of dirt, dust, and debris.



19. Disassemble the fuel tank unit.

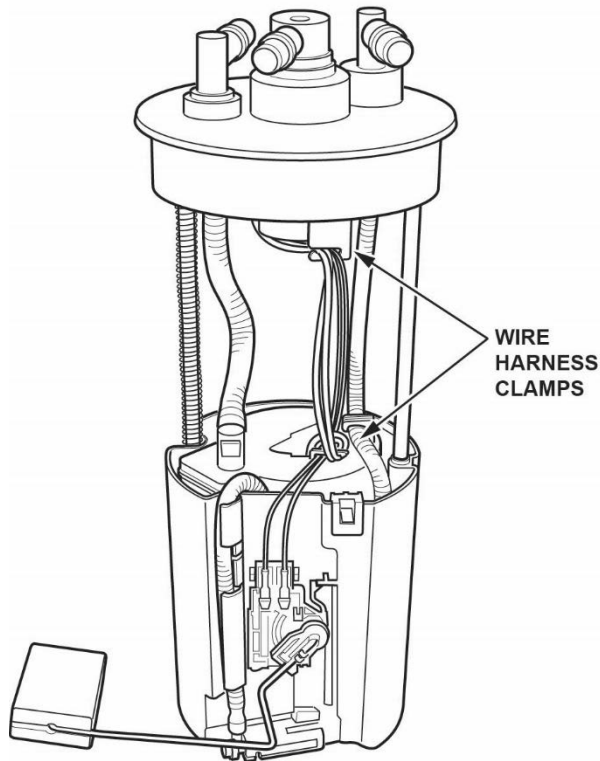
19.1. Prepare the fuel tank unit and parts to be replaced.

NOTE: Take a photo of the fuel tube and wire harness, and note their routing for assembly. There are various types of routing.

19.2. Spread the wire harness clamps, and remove the wire harness. Make sure not to damage the wire harness.

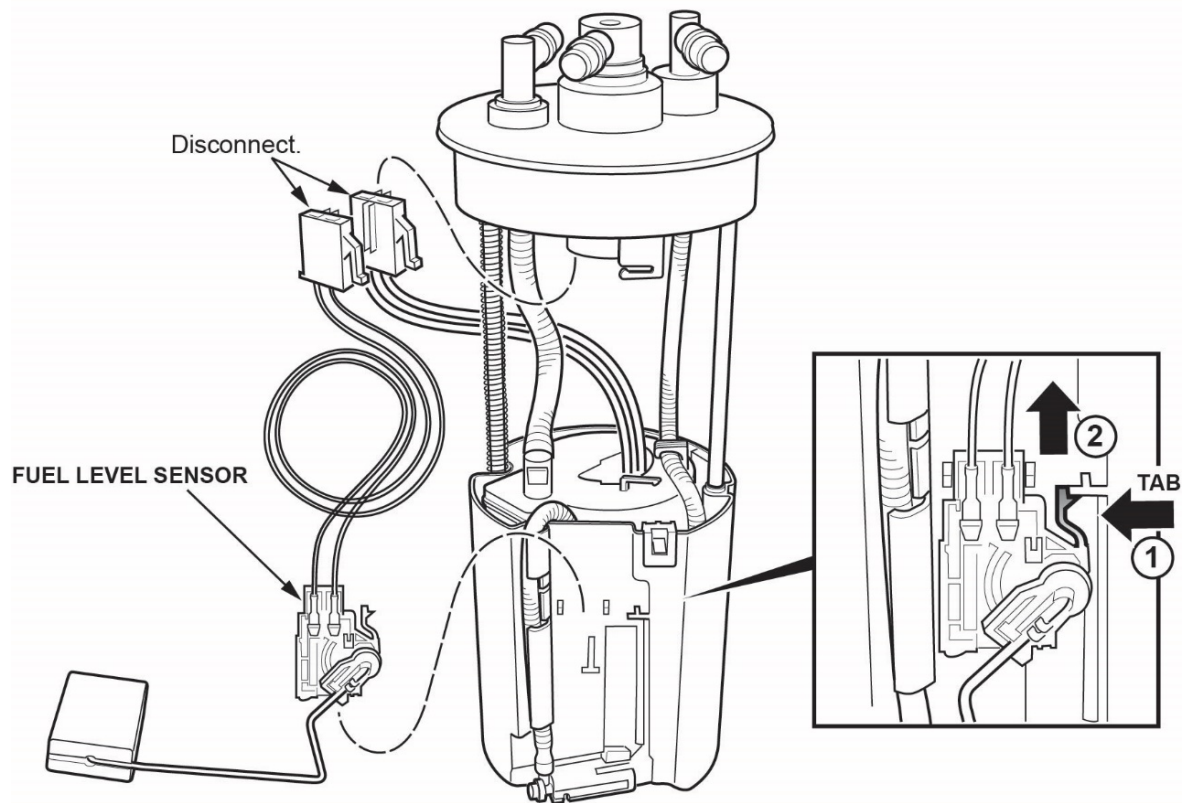
NOTICE

Do not spread the clamps too wide. Spreading them too wide may damage them.



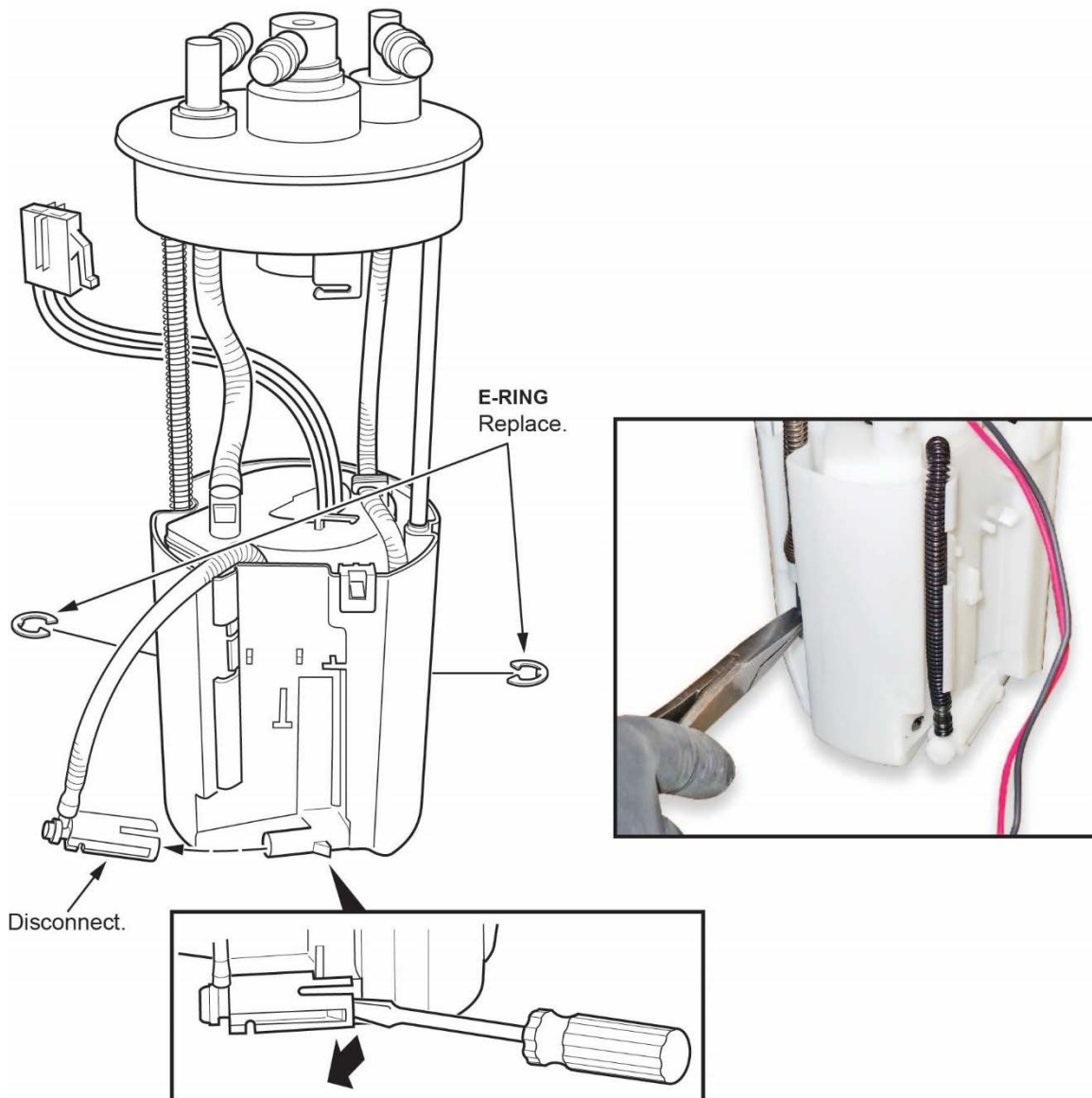
19.3. Remove the fuel level sensor.

- Disconnect the harness.



- Press the tab to release the lock (1). Then, push up on the fuel gauge sending unit (2).
- Remove the fuel level sensor from the fuel tank unit.

19.4. Remove the E-rings, and throw them away. Do not use them again.



19.5. Disconnect the joint at the bottom of the reservoir.

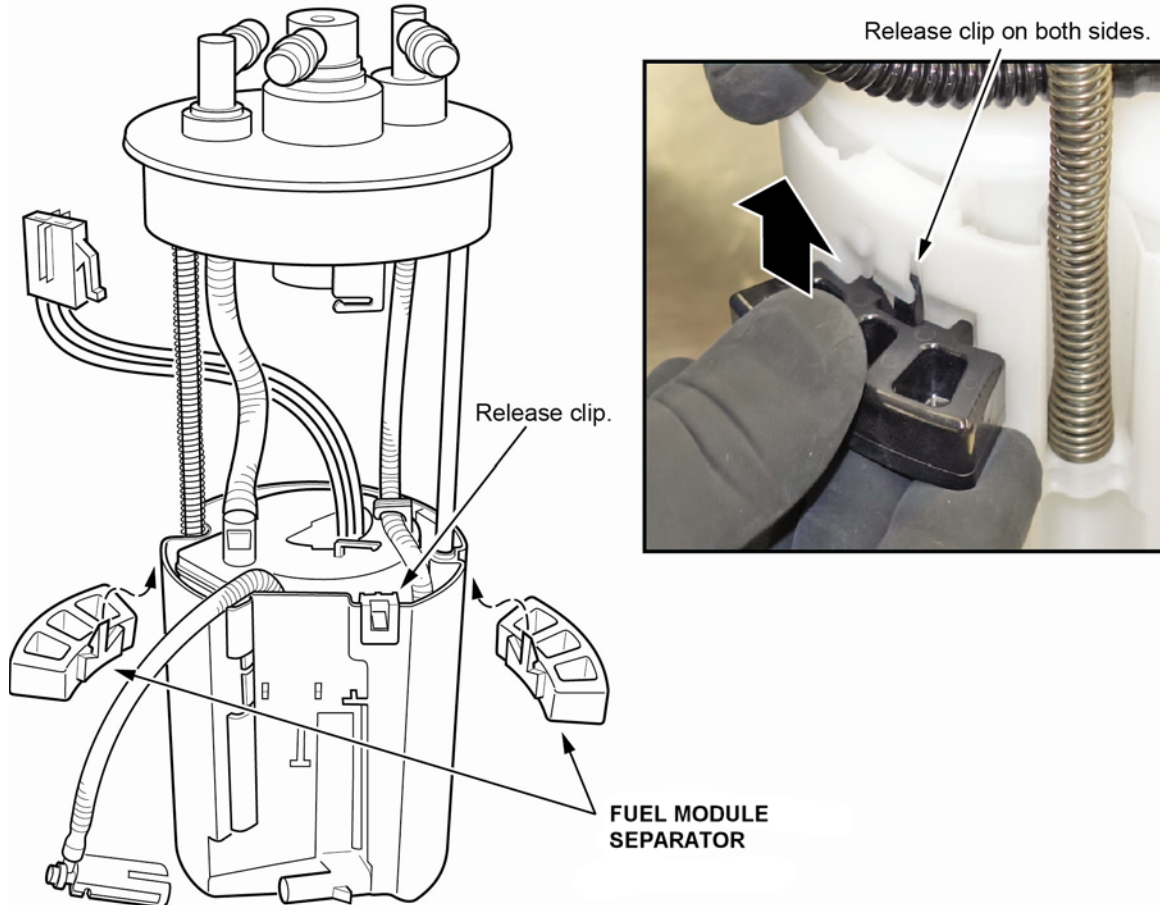
19.6. Remove the fuel filter assembly from the reservoir by releasing the three clips.

NOTE:

- Use the fuel module separator on two of the clips.
- The spring may slide off the sliding shaft. Retain this spring. It will be used during assembly.

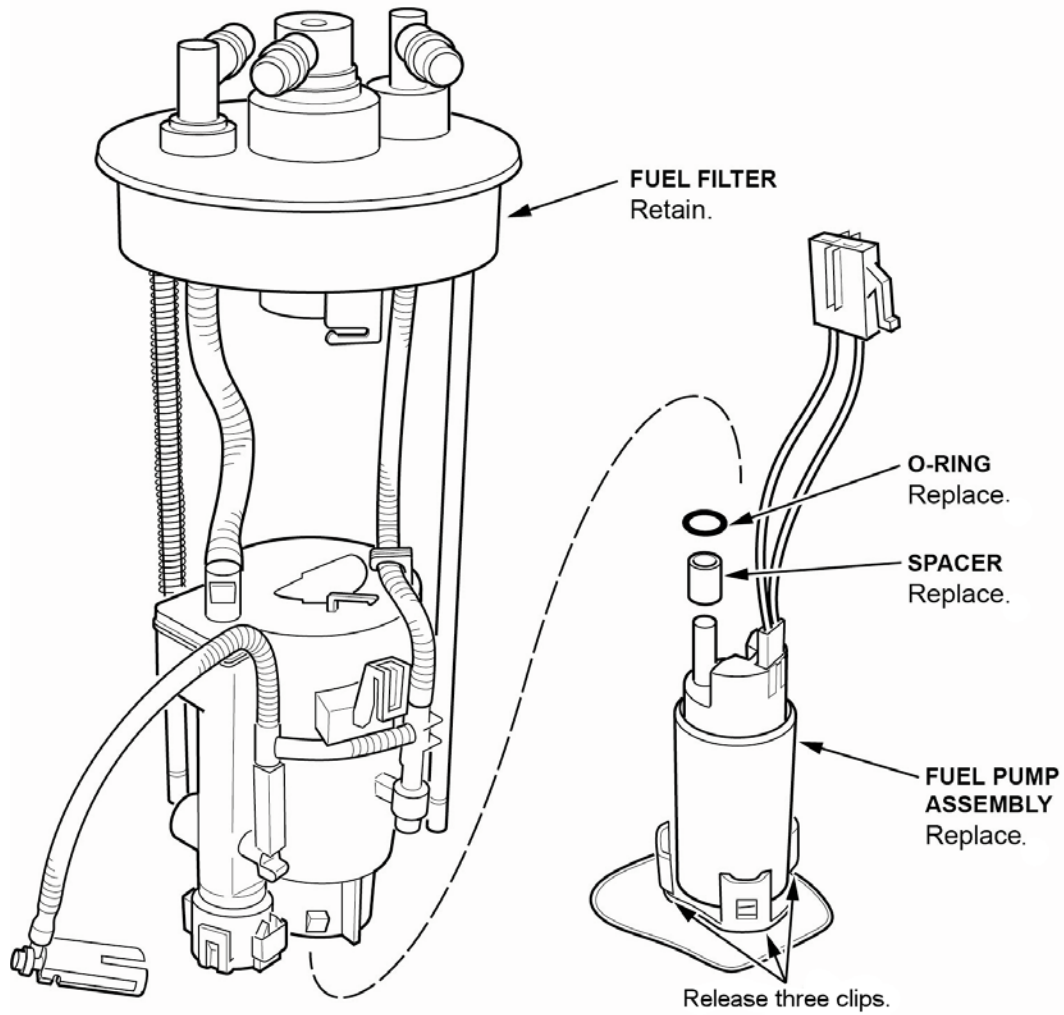
NOTICE

Do not spread the clips too wide. Spreading them too wide may damage them.



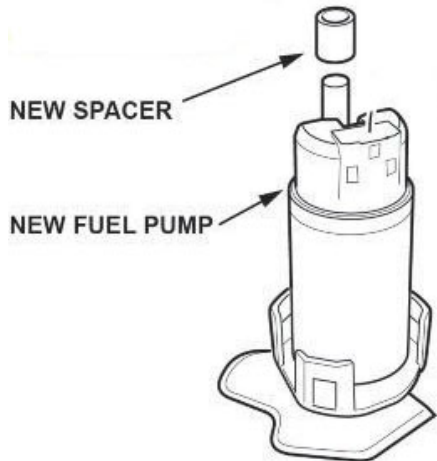
19.7. Remove the fuel pump assembly from the fuel filter.

- Release the three clips at the base of the fuel pump assembly.
- Pull the fuel pump assembly out of the fuel filter.



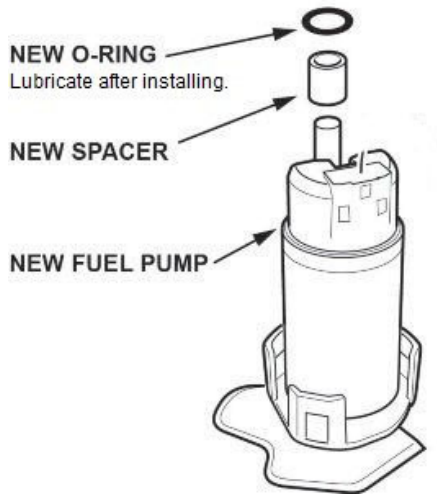
20. Assemble the fuel tank unit.

20.1. Install the new spacer on the new fuel pump motor.

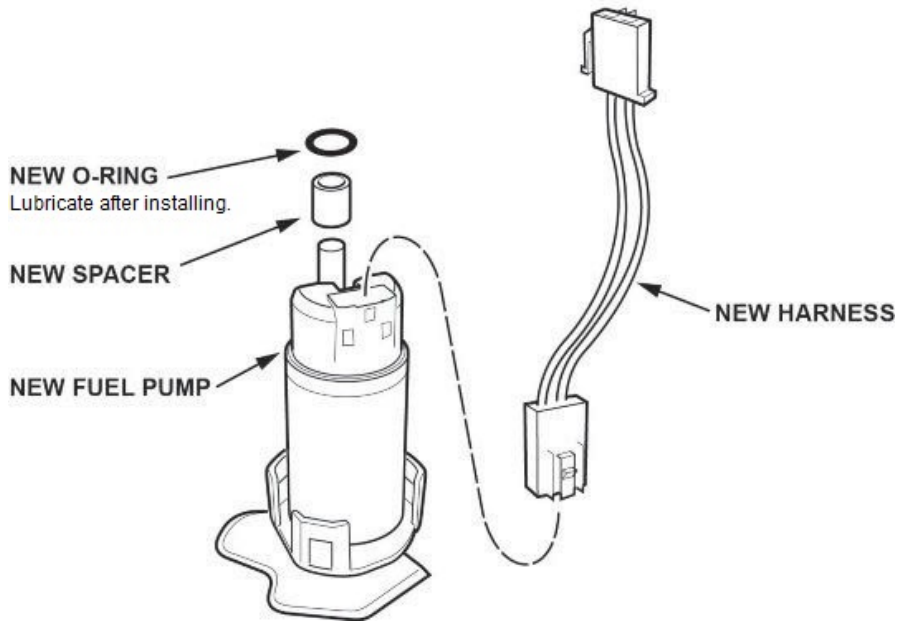


20.2. Install the new O-ring, then lubricate the outside edge of it, using only clean engine oil.

NOTE: Do not pinch the O-ring during installation.

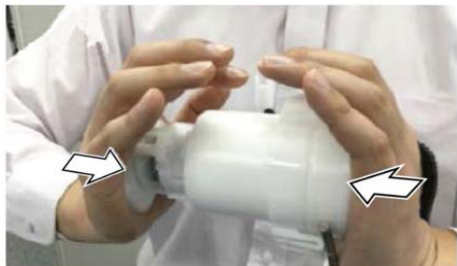
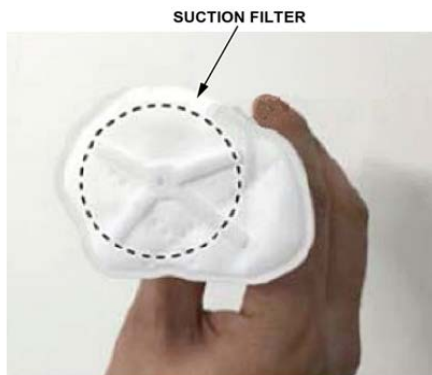


20.3. Install the new harness and make sure the connection is secure and the connectors are firmly locked into place.



20.4. Install the fuel pump into the fuel filter.

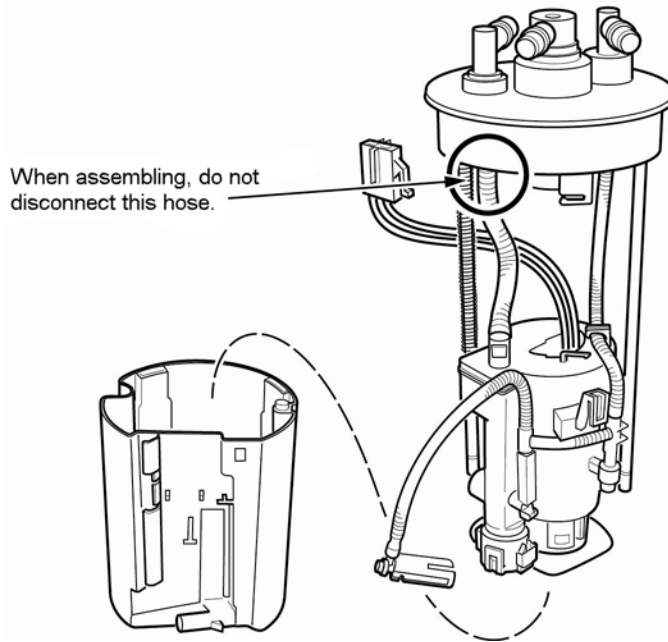
- Be careful inserting the suction filter so it does not break. Use the palm of your hand to push in the entire surface of the suction filter into the module.
- After installing the fuel pump to the strainer, move the lock part of the suction filter back and forth to make sure there is no rattling.
- If installation with a single push is not accompanied by a click, remove all parts, reset the O-ring, then assemble again.
- The O-ring cannot be reused once assembled. Replace it with a new one, then reassemble.
- Take care that the flange does not hit other items because this may lead to a fuel leak.



20.5. Install the fuel filter assembly to the reservoir.

NOTE:

- Install the spring onto the sliding shaft, and make sure it is lined up when installing the fuel filter.
- Make sure the fuel tube is routed **exactly** as shown in the photo taken before disassembly.
- Make sure the three clips are fully engaged.



20.6. Install the new E-rings.

NOTE: After installation, make sure the E-rings can be rotated with your finger. If they cannot be rotated, the E-rings may not be fully seated or may be incorrectly installed.

20.7. Install the fuel level sensor to the reservoir. Make sure the lock is engaged.

NOTE: When installing the fuel level sensor, make sure the connection is secure and the connector is firmly locked into place. Be careful not to bend or twist it excessively.

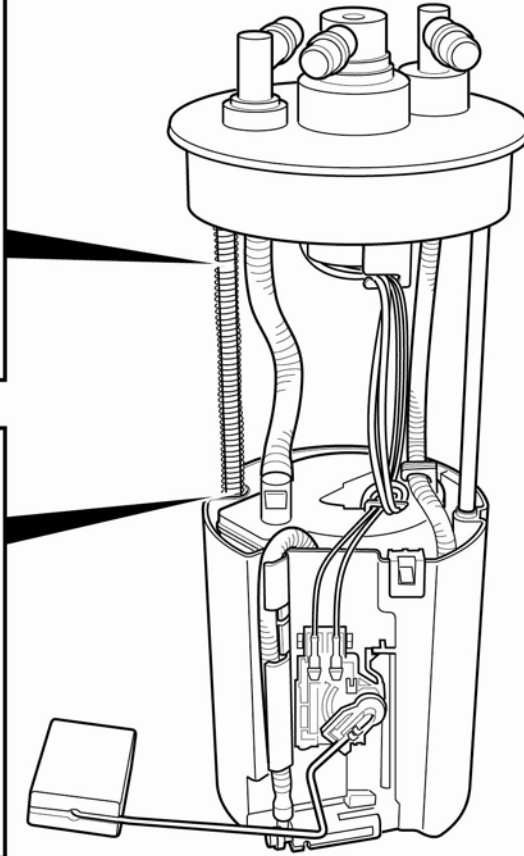
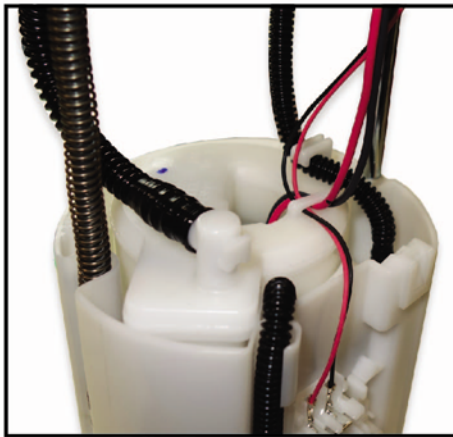
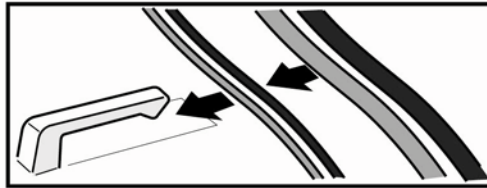
20.8. Install the wiring harness to the clamps.

NOTE:

- Clip in the smaller harness wires followed by the larger wires.
- Make sure not to damage the wire harness.
- Make sure the wire harness is routed **exactly** as shown in the photo taken before disassembly.
- Do not spread the clamps too wide. Spreading them too wide may damage them.

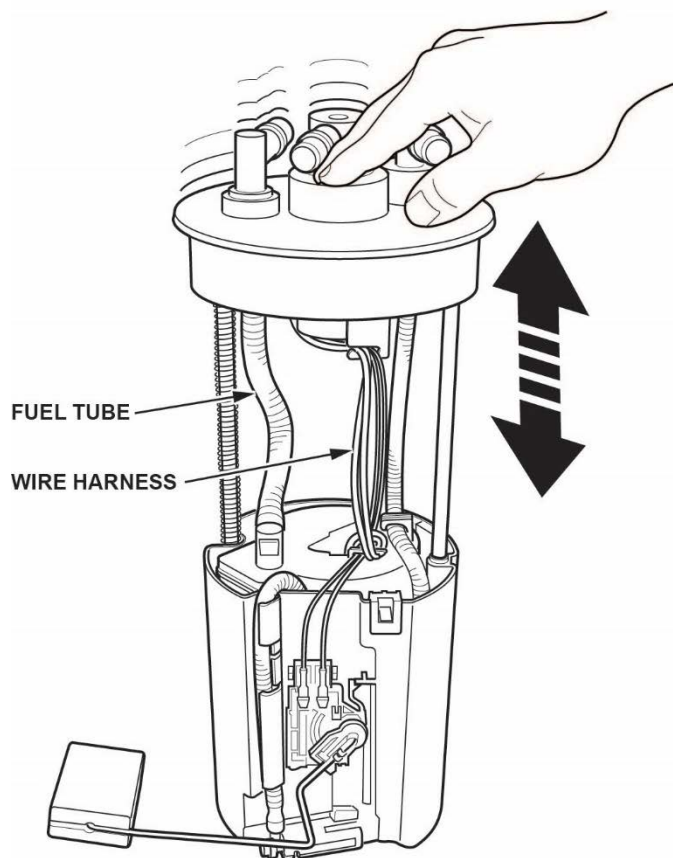
HARNES ROUTING

Clip in the smaller harness wires followed by the larger wires.



20.9. While compressing the fuel tank unit, make sure the movement is smooth and the fuel tube and wiring harness do not pinch or bind.

- Make sure the wire harness is not stretched.
- Make sure the fuel tube is not pinched.

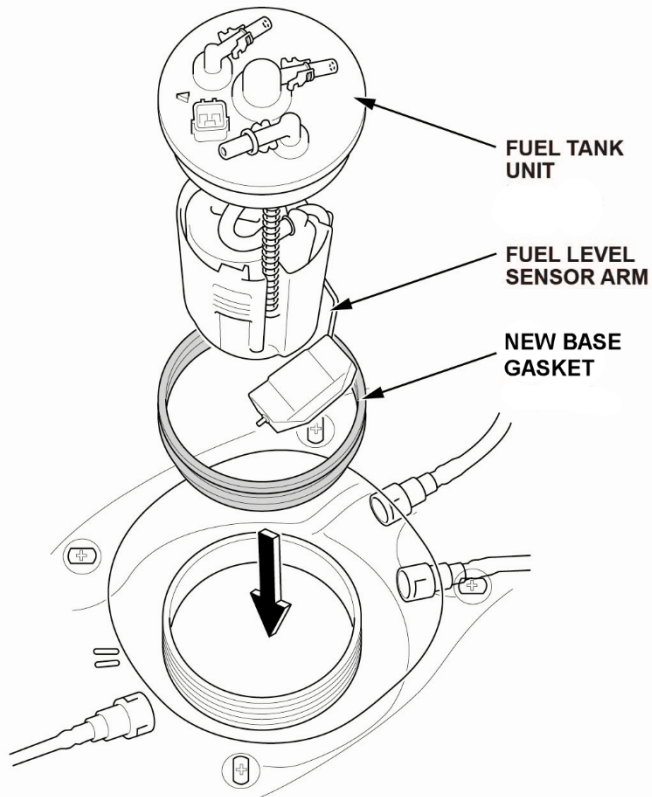


21. Install the fuel tank unit.

21.1. Partially insert the fuel tank unit into the fuel tank with a new base gasket.

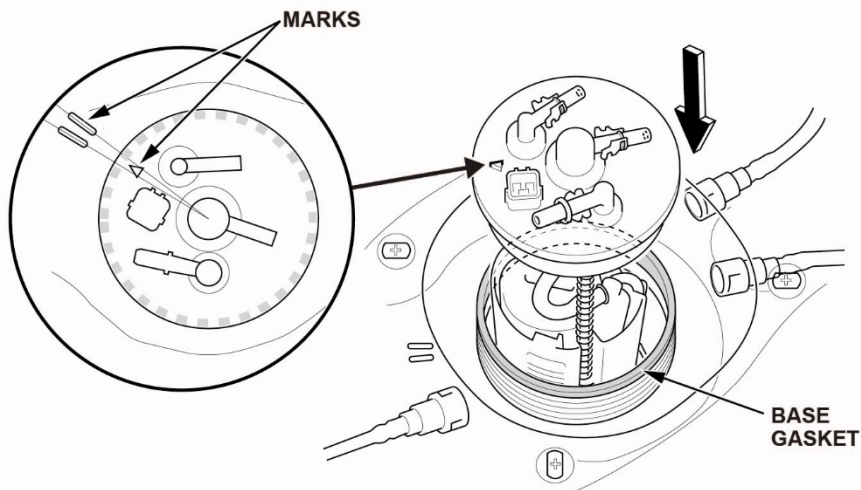
NOTE:

- Be careful not to damage the new base gasket.
- Do not coat the base gasket with any oil.
- Make sure not to bend or twist the fuel level sensor arm excessively.



21.2. Line up the marks on the fuel tank and fuel tank unit as shown, then insert the fuel tank unit.

NOTE: To avoid a fuel leak, make sure the base gasket is not pinched.

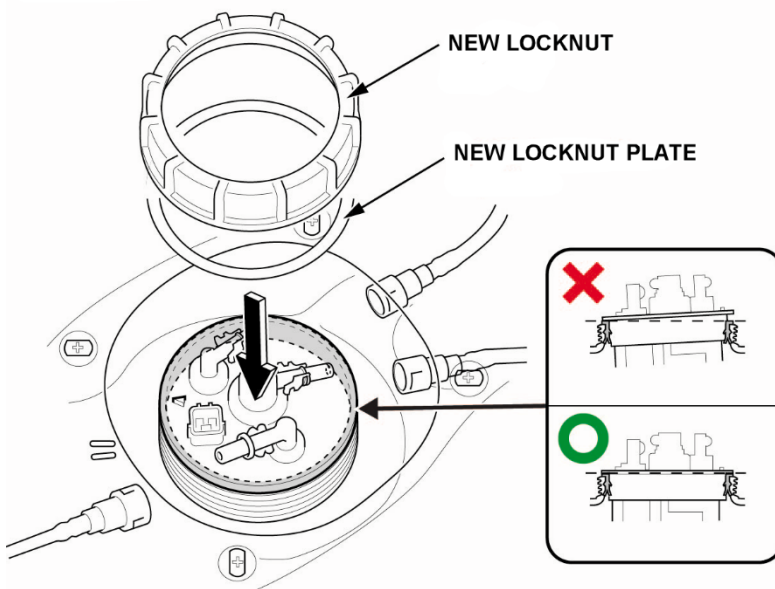


22. Tighten the fuel tank unit locknut.

NOTICE

If the locknut is not properly installed, the fuel tank can be damaged and will require replacement.

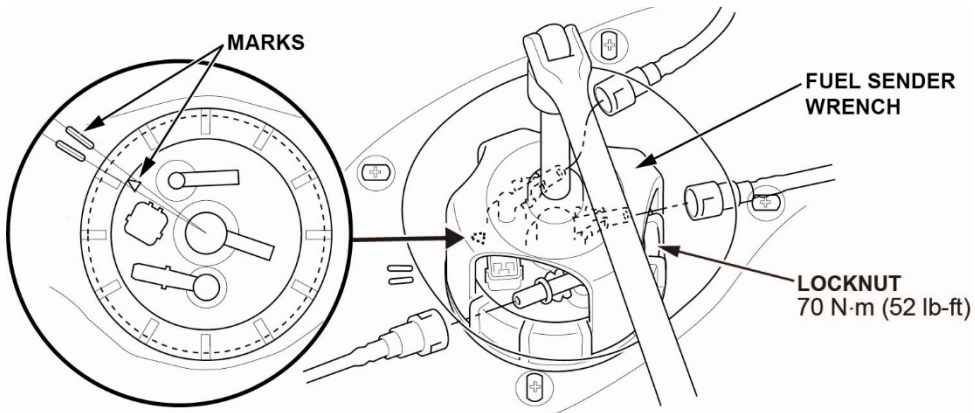
22.1. Hold the fuel tank unit vertically, and tighten the new fuel tank unit locknut with a new locknut plate by hand.



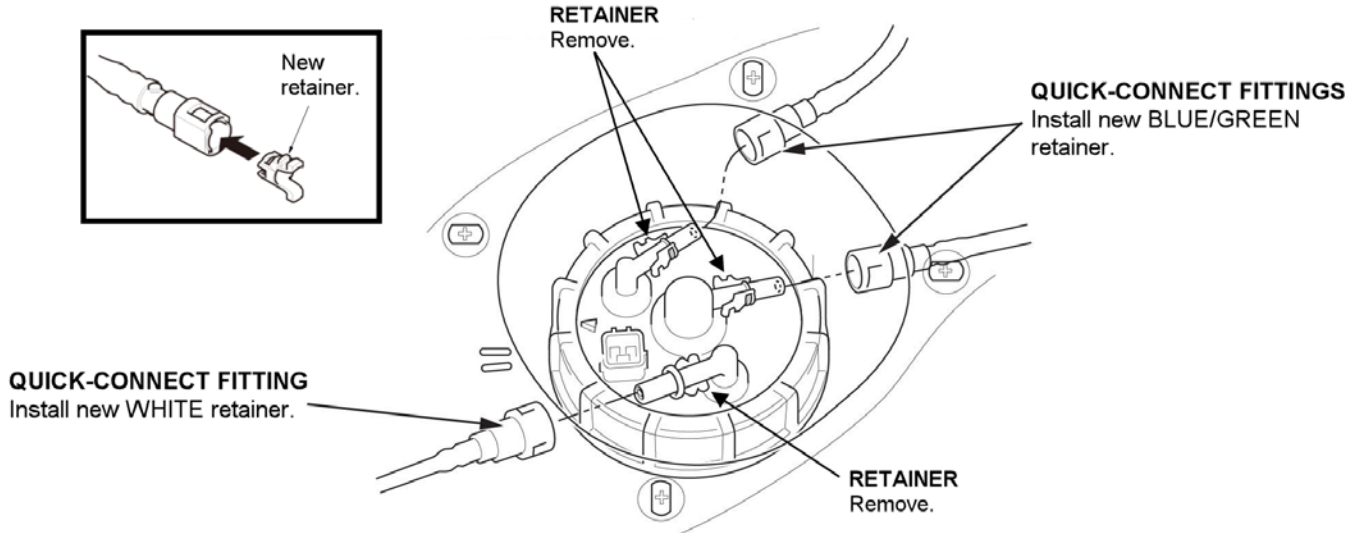
22.2. Tighten the fuel tank unit locknut to the specified torque using the fuel sender wrench.

NOTE:

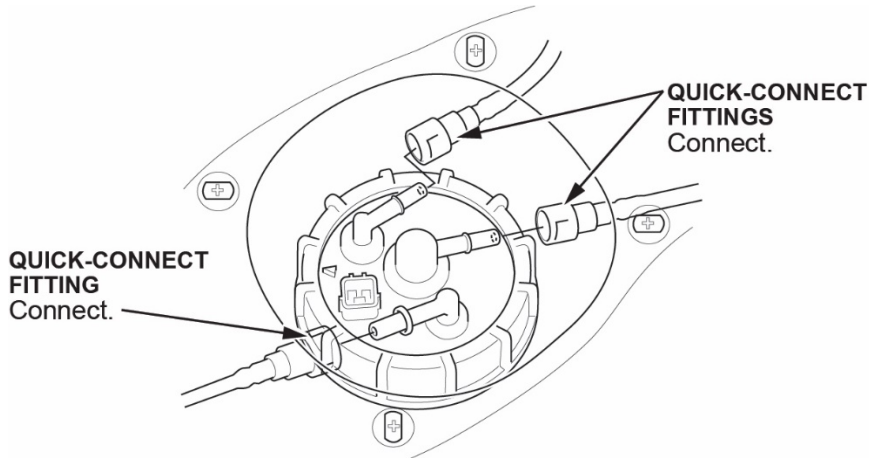
- After tightening, make sure the marks are still lined up.
- To avoid a fuel leak, make sure the base gasket is not pinched.



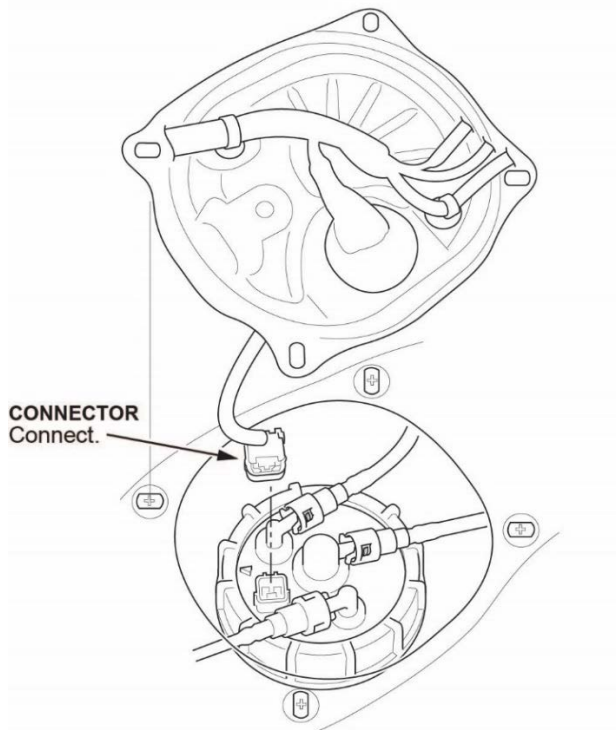
23. Remove the quick-connect fitting retainers on the fuel tank unit, then install the new retainers to the quick-connect fittings as shown.



24. Connect the quick-connect fittings to the fuel tank unit.



25. Connect the fuel tank unit connector.



26. Connect the 12-volt battery terminals.

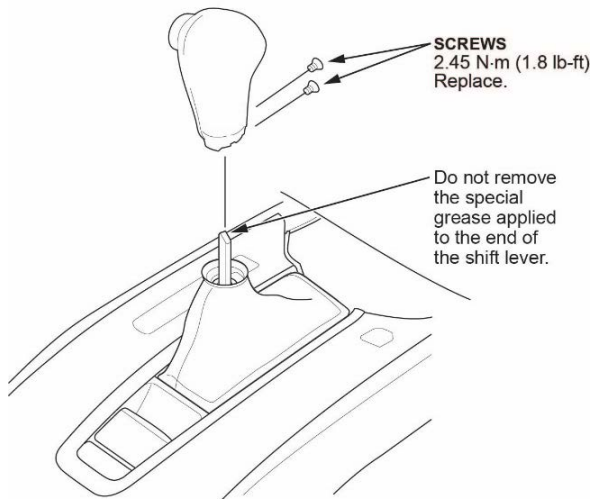
27. Check for fuel leaks by turning the ignition to ON, but do not turn the engine on. After the fuel pump runs for about **2 seconds**, the fuel line will be pressurized. Repeat this two or three times, then make sure there is no fuel leakage.

28. Install the fuel tank unit access panel.

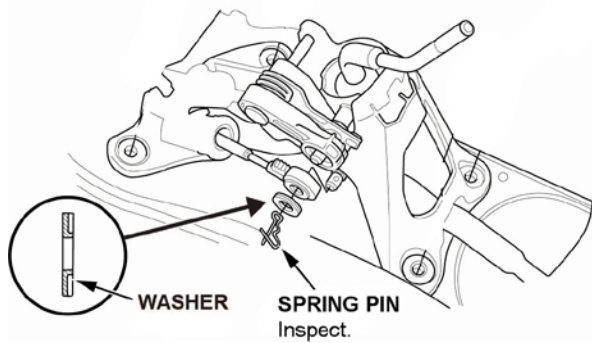
29. Install the remaining parts in the reverse order of removal.

NOTE:

- *CVT Models Only:* Make sure to replace the two screws when installing the shift knob.



- *M/T Models Only:* Make sure to inspect the spring clip that secures the shift wire to the shifter. If the spring pin is damaged or does not secure the shift wire, replace it.



30. Clear all DTCs using an i-HDS.

31. *California residents only:* Fill out a Vehicle Emissions Recall – Proof of Correction certificate, and use **07W** as the recall number. Have the service advisor give the certificate to your customer, and advise him or her to keep it as proof that the recall was completed. Your customer will need to submit this certificate to the DMV only if the DMV requests it. If you need more certificates, use reorder number **Y0657**.

Vehicle Emission Recall - Proof of Correction				
License Number	Make	Year Model	Body Type	Vehicle Identification Number
Manufacturer _____			Recall Number 07W	
The above described vehicle has been repaired, modified and/or equipped with new emission control devices to meet applicable California Emission Control Laws.				
Dealer's Name _____		Address, City, State and Zip _____		
Date _____	Dealership's Authorized Signature _____			
X				
Return this certificate to DMV <u>only</u> when required - otherwise retain for your records.				

Y0657 ACL 24832 (0212)

END