

NUMBER: 23-013-22

GROUP: 23 - Body

DATE: March 23, 2022

This bulletin is supplied as technical information only and is not an authorization for repair. No part of this publication may be reproduced, stored in a retrieval system, or transmitted, in any form or by any means, electronic, mechanical, photocopying, or otherwise, without written permission of FCA US LLC.

SUBJECT:

Front Fascia Misaligned with the Fender

OVERVIEW:

This bulletin involves replacing both the front fender brackets if needed.

MODELS:

2019 - 2021 (WD) Dodge Durango

NOTE: This bulletin applies to vehicles within the following markets/countries: North America,.

NOTE: This bulletin applies to vehicles built on or before August 20, 2021 (MDH 0820XX).

SYMPTOM/CONDITION:

The customer may describe that the front fender is not properly aligned with the front fascia (Fig. 1) .



Fig. 1
Fender to Fascia Mis-Aligned

DIAGNOSIS:

Verify the customer concern that the fender to fascia is not properly aligned and no accidents or damage to the fascia previously exist.

If the customer describes the symptom/condition listed above, perform the Repair Procedure.

PARTS REQUIRED:

Qty.	Part No.	Description
1 (AR)	68144219AF	Bracket assy- Bumper LH
1 (AR)	68144218AF	Bracket assy- Bumper RH

REPAIR PROCEDURE:

1. Raise and support the vehicle. Refer to the detailed service procedures available in DealerCONNECT> Service Library under: Service Info>04 - Vehicle Quick Reference/Hoisting/ Standard Procedure.
2. Remove the front fascia. Refer to the detailed service procedures available in DealerCONNECT> Service Library under: Service Info> 13 - Frame and Bumpers / Bumpers / Fascia, Front / Removal.
3. Remove both the old front fender brackets and install the **new** front fender brackets to the bumper (Fig. 2) & (Fig. 3) .

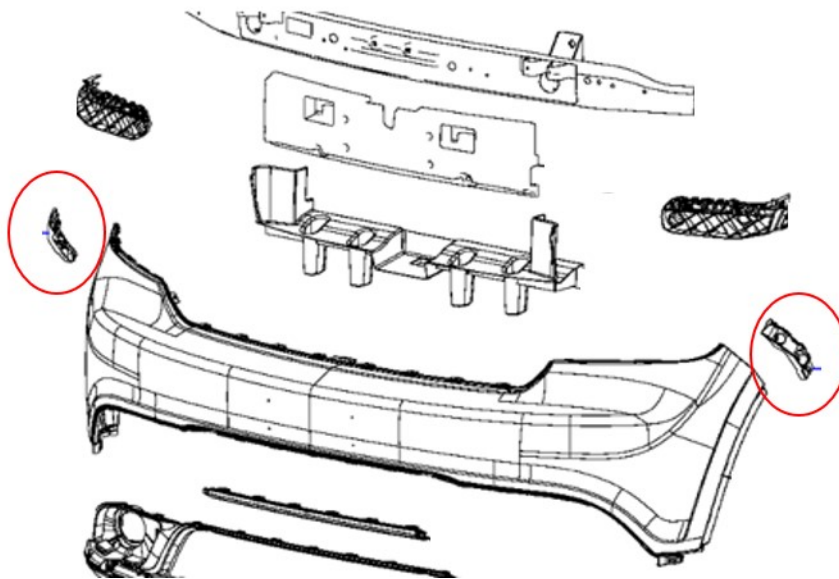


Fig. 2
Bracket Bumpers

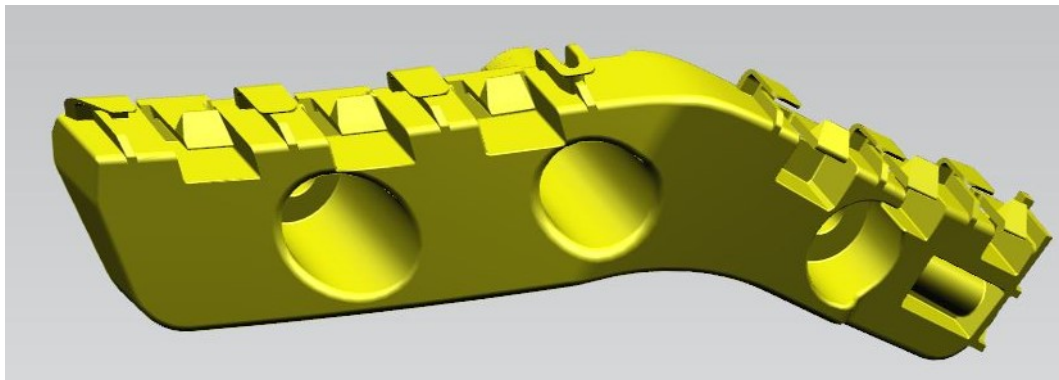


Fig. 3
Bracket Bumper Example

4. Install the front fascia. Refer to the detailed service procedures available in DealerCONNECT> Service Library under: Service Info> 13 - Frame and Bumpers / Bumpers / Fascia, Front / Install.

- 5. Check fascia to fender for proper alignment on both sides.
- 6. Lower the vehicle. Refer to the detailed service procedures available in DealerCONNECT> Service Library under: Service Info>04 - Vehicle Quick Reference/Hoisting/Standard Procedure.

POLICY:

Reimbursable within the provisions of the warranty.

TIME ALLOWANCE:

Labor Operation No:	Description	Skill Category	Amount
13-20-31-90	Bracket, Front Fascia to Fender - Replace Right and Left Sides (1 - Semi-Skilled)	6 - Electrical and Body Systems	0.8 Hrs.

FAILURE CODE:

ZZ	Service Action
----	----------------