

# 2023 4Runner Pre-Delivery Service (PDS)

**Service Category** General

**Section** Pre-Delivery Service

**Market** USA

Toyota Supports  
 ASE Certification 

## Applicability

YEAR(S)	MODEL(S)	ADDITIONAL INFORMATION
2023	4Runner	

## Introduction

Pre-Delivery Service (PDS) is a critical step in satisfying our new car customers. Customer feedback indicates the following areas deserve special attention when performing PDS:

- Careful inspection for paint chips/scratches and body dents/dings.
- Proper operation of electrical accessories (including interior light, clock, and radio reset).
- Interior cleanliness.
- Proper function of mechanical systems.

Customer retention and proper maintenance of vehicles are and have always been a major focus for Toyota. To help remind customers that regular service is essential to the proper maintenance of the vehicle, dealers are required to install a service reminder sticker before delivery. By doing this, customers will be reminded to return to your dealership for service. Your current service reminder sticker may be used. (See PDS Check Sheet item 8 of "Final Inspection and Cleaning.")

This bulletin contains the PDS procedures that apply specifically to 2023 model year 4Runner vehicles. A universal PDS [Check Sheet](#) that contains PDS steps that apply to all 2023 model year Toyota vehicles has been developed. To properly perform a complete PDS, you must complete all procedures contained in this TSB as well as the universal PDS [Check Sheet](#).

In addition, if the vehicle is stored for over 30 days, be sure to follow [Long-Term Vehicle Storage Guidelines](#).

## 2023 4Runner Pre-Delivery Service (PDS)

---

### Warranty Policy

If the need for additional repairs or adjustment is noted during PDS, the required service should be performed under warranty. Reimbursement will be managed under the warranty policy.

**The Warranty Policy and Procedures Manual requires that you maintain the completed Check Sheet in the customer's file.** If you cannot produce a completed form for each retailed vehicle upon TMS and/or Region/Distributor audit, the PDS payment amount will be subject to debit.

An additional Repair Order completed in conjunction with normal PDS MUST have time punch/flags for service. If multiple repairs are performed, separate time flags MUST be punched for each repair.

### Warranty Information

OP CODE	DESCRIPTION	MODEL	TIME	OFF	T1	T2
001013	Pre-Delivery Service (PDS)	4Runner	1.1	-	-	-

### Required Tools & Equipment

REQUIRED EQUIPMENT	SUPPLIER	PART NUMBER	QTY
Techstream ADVi*	ADE	TSADVUNIT	1
Techstream 2.0		TS2UNIT	
Techstream Lite		TSLITEPDLR01	
Techstream Lite (Green Cable)		TSLP2DLR01	

\*Essential SST.

#### NOTE

- Only ONE of the Techstream units listed above is required.
- Software version 17.10.012 or later is required.
- Additional Techstream units may be ordered by calling Approved Dealer Equipment (ADE) at 1-800-368-6787.

## 2023 4Runner Pre-Delivery Service (PDS)

### Procedures

- [Short Pin Installation\\*](#) ..... 3
- [Tire Pressure Warning System \(TPWS\) Initialization\\*](#) ..... 4
- [Memorize Steering Angle Neutral Point\\*](#) ..... 4
- [Compass Calibration\\*](#) ..... 4
- [Roof Rack Leg Cover Installation](#) ..... 5
- [Front Bumper Lower Side Support Installation](#) ..... 6
- [Front License Plate and Mounting Bracket Installation\\*](#) ..... 7
- [Dealer Contact Information for Call Dealer Head Unit Function](#) ..... 7

\*If applicable.

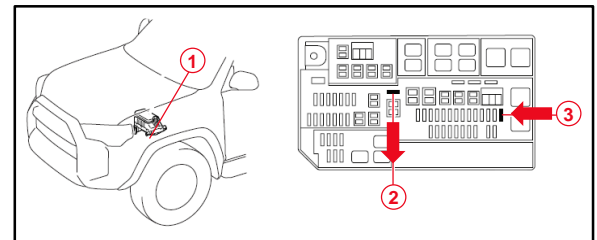
### Short Pin Installation

To minimize battery discharge, the short pin has been removed and is stored in the engine compartment relay block. Install the short pin and confirm ALL related Diagnostic Trouble Codes (DTCs) are cleared. If any DTCs besides B1650 and B1794 remain, refer to the applicable Repair Manual.

**NOTE**

- Removing the short pin cuts off the power sources relating to the dome, radio No. 1, and ECU-B fuses.
- The short pin does NOT function as a fuse, so ONLY install it in the position shown.
- If the vehicle is stored in the dealership for a long period of time after PDS, disconnect the negative (-) battery terminal to prevent battery discharge.

**Figure 1.**



<b>1</b>	<b>Relay Block</b>
<b>2</b>	<b>Remove Short Pin</b>
<b>3</b>	<b>Install Short Pin (Original Location)</b>

## 2023 4Runner Pre-Delivery Service (PDS)

---

### Tire Pressure Warning System (TPWS) Initialization

Refer to the applicable Repair Manual for the [TPWS initialization procedure](#).

#### NOTE

- Limited models have a TPWS sensor in the spare tire.
- To adjust the tire pressure correctly when the outside temperature is significantly colder than shop temperature, perform a Health Check using Techstream and select the compensation tire pressure checkbox. Compensation pressures will display on the Health Check results screen. Adjust the tire pressure when the tires are cold.

### Memorize Steering Angle Neutral Point

As a result of the removal of the D/C short pin, the power source to the steering angle sensor is cut off. When the D/C short pin is reinstalled, the parking assist monitor system/panoramic view monitor system will be operative, but it cannot display guidelines to assist parking operation because the center position recognized by the steering angle sensor may not be in an initial position. Therefore, perform steering angle neutral point initialization AFTER installing the D/C short pin during PDS.

Refer to the applicable Repair Manual for the steering angle neutral point [initialization procedure](#).

### Compass Calibration

Refer to the applicable Repair Manual for the [calibration procedure](#) for vehicles equipped with a compass in the Multi-information Display (MID).

#### NOTE

- Do NOT perform calibration of the compass in a place where the Earth's magnetic field is subject to interference (underground parking, under a steel tower, between buildings, roof parking, near a railroad crossing, near a large vehicle, etc.).
- During calibration, do NOT operate the electric systems (moonroof, power windows, etc.) as they may interfere with the calibration.
- The dot on the compass display disappears when calibration has been completed.

## 2023 4Runner Pre-Delivery Service (PDS)

---

### Roof Rack Leg Cover Installation

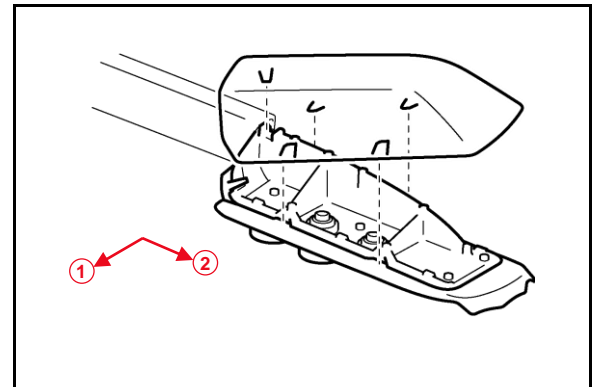
The roof rack leg cover is loaded in the vehicle at the assembly plant to avoid dirt in transit. Install the roof rack leg covers to the roof rack rails according to the following procedure.

1. Insert the protrusions at the front of the cover into the roof rack rail.
2. Place the cover on the leg, aligning each rear end. At this time, do NOT press down.
3. Engage the cover claws located toward the outside of the vehicle.
4. Engage the cover claws located toward the inside of the vehicle.

**NOTICE**

**If the inside and outside cover claws are pressed down at the same time, the cover claws may be damaged.**

**Figure 2.**



<b>1</b>	<b>Outside</b>
<b>2</b>	<b>Rear</b>

5. Ensure the covers are securely installed.

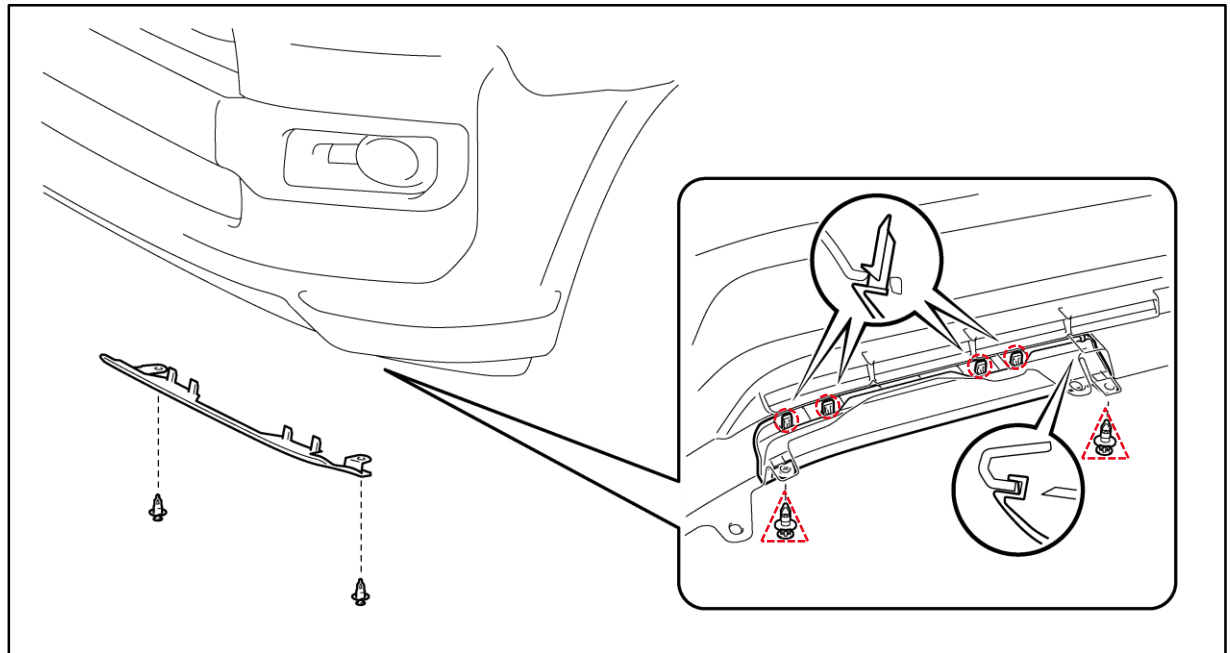
## 2023 4Runner Pre-Delivery Service (PDS)

### Front Bumper Lower Side Support Installation

The front bumper lower side support set is stored in the luggage compartment to avoid damage during transportation.

1. Attach the four claws and guide to each support.
2. Install the left front bumper lower side support to the front bumper by engaging the four claws and inserting the two clips.
3. Repeat step 2 for the right side.

**Figure 3.**



○	Claw
△	Clip

## 2023 4Runner Pre-Delivery Service (PDS)

### Front License Plate and Mounting Bracket Installation

The front license plate bracket and two self-tapping screws are stored in the vehicle. Follow this procedure to install the front license plate bracket and front license plate in states where it is required by law.

1. Align holes "A" of the mounting bracket with the dimples on the front bumper cover.
2. Install the two self-tapping screws through the mounting bracket and into the front bumper at the dimples.

**NOTICE**

- Do NOT pre-drill holes into the bumper.
- Do NOT overtighten the self-tapping screws.
- Horizontally install the self-tapping screw to the boss of the bumper cover.

**NOTE**

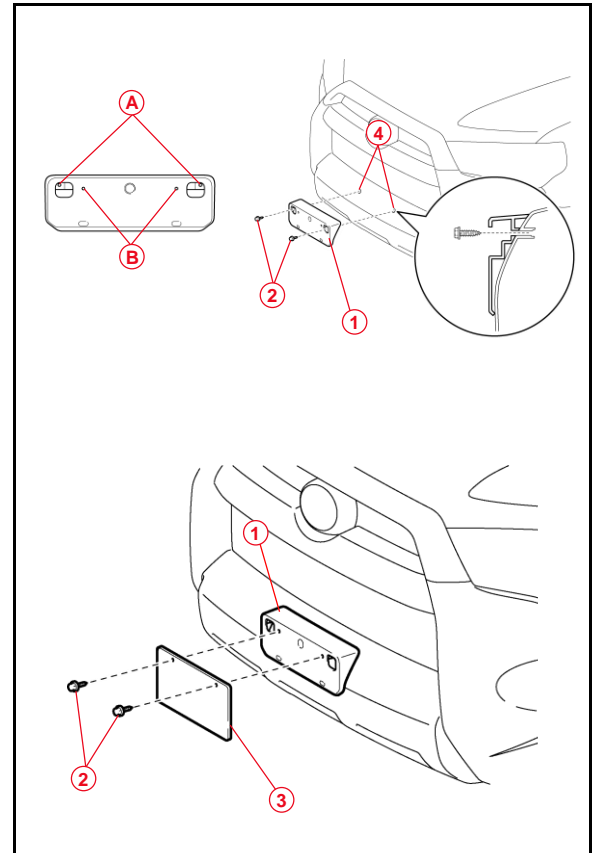
- Holes "A" are used for installation of the mounting bracket to the front bumper cover.
- Holes "B" are used for installation of the front license plate to the mounting bracket.

3. Install the license plate to the mounting bracket using two self-tapping screws.

**NOTICE**

Do NOT overtighten the self-tapping screws.

**Figure 4.**



1	Mounting Bracket
2	Self-tapping Screw
3	License Plate
4	Dimple

### Dealer Contact Information for Call Dealer Head Unit Function

Refer to the *Multimedia System Owner's Manual* to [add dealer contact information](#).