



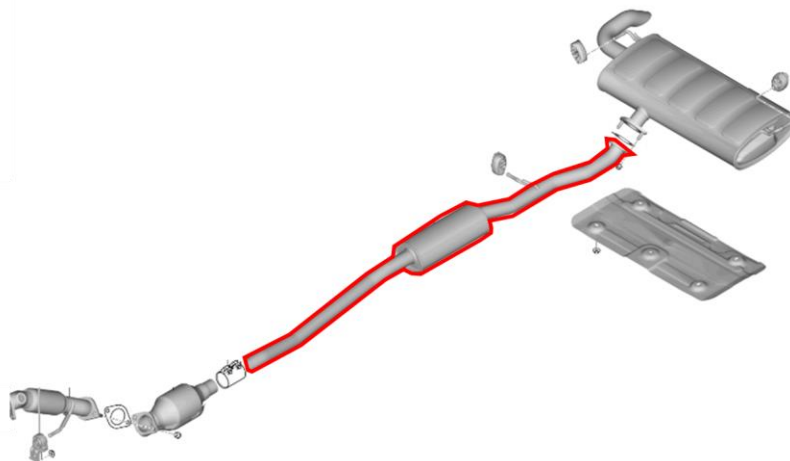
GROUP	MODEL
Emissions Service Campaign	2023MY Sportage (NQ5a)
NUMBER	DATE
SC239	September 2022

VOLUNTARY EMISSIONS SERVICE CAMPAIGN

CENTER MUFFLER INSPECTION AND REPLACEMENT (SC239)

SUBJECT:

This bulletin provides information to inspect and, if necessary, replace the center muffler assembly on certain 2023MY Sportage (NQ5a) vehicles equipped with a Theta 2.5L GDI engine, produced from April 23, 2022 to April 29, 2022. Some of affected vehicles may have been equipped with a center muffler that does not meet U.S. EPA regulations. This out of specification center muffler may cause the vehicle to release air pollutants which exceed Federal and California emissions standards. Follow the procedure outlined in this publication to inspect the center muffler specification and, if it does not meet U.S. regulations, to replace the center muffler assembly. Before conducting the procedure, verify that the vehicle is included in the list of affected VINs.



NOTICE

There is no charge to the vehicle owner for this repair. Under applicable law, you may not sell or otherwise deliver any affected vehicle until it has been repaired pursuant to the procedures set forth in this bulletin.

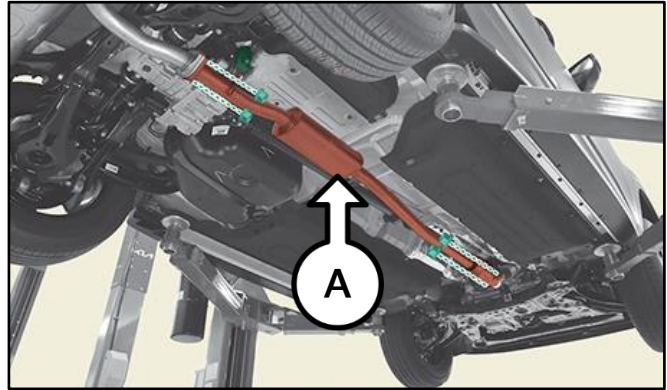
NOTICE

To assure complete customer satisfaction, always remember to refer to WebDCS Warranty Coverage (validation) Inquiry Screen (Service → Warranty Coverage → Warranty Coverage Inquiry) for a list of any additional campaigns that may need to be performed on the vehicle before returning it to the customer.

A printed copy is for reference only; publication information can be updated at any time. Always refer to KGIS for the latest information. After logging in kdealer.com, the newest technical publications are listed in 'Service Releases' and has the latest service information that has been released.

Inspection Procedure:

- 1a. Raise vehicle on lift.
- 1b. Locate the center muffler (A).



2. Inspect the number stamped on the surface of center muffler (A). Confirm if the vehicle is equipped with the correct center muffler:

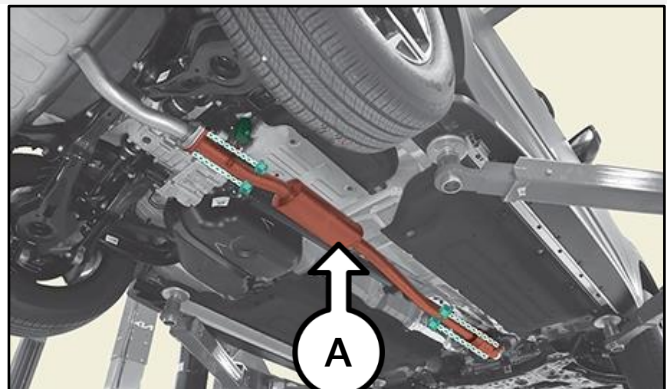


- 3a. If the center muffler is the correct one (OK), no further action is required.
- 3b. If the center muffler is the incorrect one (NG), proceed to page 3 to the 'Replacement Procedure' to install the correct part for the vehicle.

Replacement Procedure:

3. Replace the center muffler assembly by referring to "Engine Mechanical System → Intake and Exhaust System → Muffler → Removal and installation" in the applicable Shop Manual on KGIS.

Note: DO NOT reuse the center muffler rear gasket, install a new part.

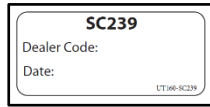



SUBJECT:

CENTER MUFFLER INSPECTION AND REPLACEMENT (SC239)**AFFECTED VEHICLE RANGE:**

Model	Production Date Range
Sportage (NQ5a)	April 23, 2022 to April 29, 2022

REQUIRED PART:

Part Name	Part Number	Figure	Qty.
Center Muffler Assembly	28650 CW380	N/A	1
Gasket	28751 3S100	N/A	1
Campaign Completion Label	UT160 SC239*		1
Vehicle Emission Recall Proof of Correction Card	UT161 SC239*		1

*Completion Label and Proof of Correction Card only required for vehicles registered in CA, CT, DE, MA, MD, ME, NJ, NY, OR, PA, RI, VT, and WA "States" only.

WARRANTY INFORMATION:**N Code: N99 C Code: C99**

Claim Type	Causal P/N	Qty.	Repair Description	Labor Op Code	Op Time	Replacement P/N	Qty.
R	28650 CW380	0	(SC239) Center Muffler Inspection	220A08IO	0.3 M/H	N/A	0
		1	(SC239) Center Muffler Inspection and Replacement	220A08RO	0.4 M/H	28650 CW380	0
						28751 3S100	1

Note: Upon confirmation of the incorrect center muffler, dealers must utilize the VIN to order the part, prior to the customer's returning to the dealer. Refer to Warranty Bulletin 2022-33 for claim submission procedures.

NOTICE

VIN inquiry data for this repair is provided for tracking purposes only. Kia retailers should reference **SC239** when accessing the WebDCS system.