

PORSCHE Front and Rear Cameras

Restrictions: **ONLY** approved for vehicles with "Porsche dashcam pre-fitting (QK3)".
Use from production date 25/2022 (week/year).

Approved for the following markets/countries :

- USA (C02) and Canada (C36)

Model Year: **As of 2023**

Information: **Retrofitting**



Information



Figure 1

Note: The Porsche front camera (dashcam) is attached to the windscreen to the **LEFT** of the interior mirror (viewed in direction of travel ⇒ *Figure 1*).

The rear camera is installed at a specified position on the inside of the top right of the rear window (viewed in direction of travel).

Both cameras are connected to the vehicle electrical system.

They are ideal for making video recordings of driving situations and while parking. They can be configured and operated using a related app on your smartphone.

Recorded videos are stored on the supplied SD card and previous recordings are overwritten.

If the dashcam detects a shake/vibration or if the radar sensor is triggered, the recorded video is stored separately and not overwritten. Recordings can be downloaded directly from the SD card or via the app.

**Information**

Important information for customers/customer service advisors:

- Ask customers to download and install the "Porsche Dashcam App" from the App Store (Apple or Google Play) on their device (smartphone/tablet) in advance.

For vehicle handover:

- Together with the customer, check whether a firmware update via "Porsche Dashcam App" is necessary. Perform the firmware update together if necessary.
- Together with the customer, choose the "Region/State/Country" by selecting the relevant flag and format the SD card.

Further information for customers:

- The customer is responsible for choosing the right "Region/State/Country"!
- After crossing a national border: Update the "Region/State/Country" (see also conditions of use for this topic)!

Parts Info: **9Y0.044.951** ⇒ PORSCHE front and rear cameras, set

Always order at the same time:

9Y0.044.955.A 1 x ⇒ Front camera retainer plate with wire harness, assembly (ASSY)

N.017.131.16 1 x ⇒ Blade-type fuse, 5 A

Also order the following for Sport Turismo:

9Y0.044.956 1 x ⇒ Wire harness for rear camera, ASSY

955.612.931.00 1 x ⇒ Tie-wrap holder

999.507.227.40 1 x ⇒ Wrap clip

Order separately for Basic/Executive:

9Y0.044.956.B 1 x ⇒ Wire harness for rear camera, ASSY

Parts List:



Figure 2

Parts included with PORSCHE front and rear cameras (9Y0.044.951 ⇒ *Figure 2-1 - 7-*), set:

----	1 x	3M privacy film (front & rear camera) ⇒ <i>Figure 2-1-</i>
----	1 x	Front camera ⇒ <i>Figure 2-2-</i>
----	1 x	Micro SD memory card (32 GB, plugged into front camera) ⇒ <i>Figure 2-3-</i>
----	1 x	Rear camera ⇒ <i>Figure 2-4-</i>
----	1 x	PORSCHE dashcam operating instructions ⇒ <i>Figure 2-5-</i>
----	6 x	Protective foam (Ø approx. 29 x 74) ⇒ <i>Figure 2-6-</i>
----	12 x	Tie-wrap, 145 x 3.6 x 1.1 ⇒ <i>Figure 2-7-</i>
9Y0.044.955.A ¹	1 x	Front camera retainer plate assembly with wire harness (360 m) ⇒ <i>Figure 2-8-</i>
N .017.131.16 ¹	1 x	Blade-type fuse, 5 A ⇒ <i>Figure 2-9-</i>

¹ Always order at the same time.



Figure 3

ONLY for Sport Turismo:

9Y0.044.956 ²	1 x	Wire harness for rear camera (300 mm) ⇒ Figure 3-1-
955.612.931.00 ²	1 x	Tie-wrap holder ⇒ Figure 3-2-
999.507.227.40 ²	1 x	Wrap clip ⇒ Figure 3-3-

ONLY for Basic/Executive:

9Y0.044.956.B ²	1 x	Wire harness for rear camera (850 mm) ⇒ Figure 3-4-
----------------------------	-----	---

2 Order separately depending on body variant!

Repair Kit: Order repair kit "adhesive pad" **ONLY** when replacing the windscreen / rear window.

9Y0.044.931	1 x	"Adhesive pad" repair kit, contains:
— — —	1 x	Adhesive pad for front camera retainer plate (grey) on backing sheet
— — —	1 x	Adhesive pad for rear camera (grey)
— — —	1 x	3M privacy film (front & rear camera) ⇒ Figure 1-1-

Technical details:

- Video recording in Quad High Definition (QHD)
- Lens with polarization filter to reduce reflections and improve colors and contrasts
- Audio recording (can be deactivated)
- Global positioning system (GPS) sensor
- Vibration sensor
- Radar sensor for video recording when an object is approaching the vehicle
- Bracket for the windscreen for fixed mounting on the vehicle
- Rear camera is permanently installed on the rear window

- Material:
- 1 x Wrapping/insulating tape (commercially available)
 - 1 x Cleaning cloth (commercially available)
 - 1 x Isopropanol (commercially available)

- Tool:
- 9900 - PIWIS Tester 3**
 - Tablet, smartphone or PC with Internet access
 - Round file \varnothing at least 5 mm/ 0.2 in, Stanley knife, scraper
 - Marking pencil/chalk
 - Flashlight
 - Plastic squeegee

Assembly: 1 Preparatory work

1.1 Connect a battery charger. \Rightarrow *Workshop Manual '2X00IN Battery trickle charge'*

1.2 Front roof/rear-view mirror area (interior \Rightarrow *Figure 4*)

- 1** – Roof console (front)
- 2** – Antenna cover
- 3** – Sun visor (left)
- 4** – A-pillar trim panel (left)

Remove (front) roof console and cover on antenna (\Rightarrow *Figure 4 -1 and 2-*). \Rightarrow *Workshop Manual '708319 Removing and installing front roof console'*

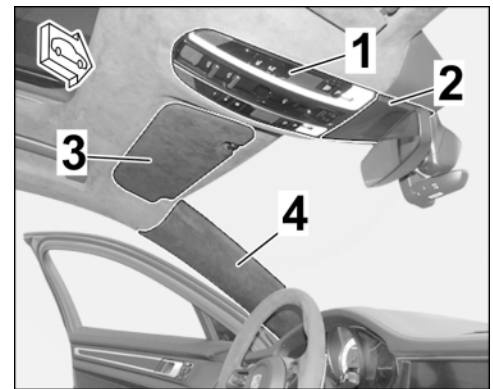


Figure 4

1.3 Rear lid area (\Rightarrow *Figure 5 (Sport Turismo)*)

- 1** – Trim panel for window frame, center
- 2** – Trim panel for rear lid, bottom
- 3** – Trim panel for window frame, right side
- A** – Position of Sport Turismo rear camera pre-fitting
- B** – Position of pre-fitting for rear camera, basic/executive

1.3.1 Remove trim panel for center window frame (\Rightarrow *Figure 5 (Sport Turismo) -1-*). \Rightarrow *Workshop Manual '709219 Removing and installing trim panel for rear lid'*

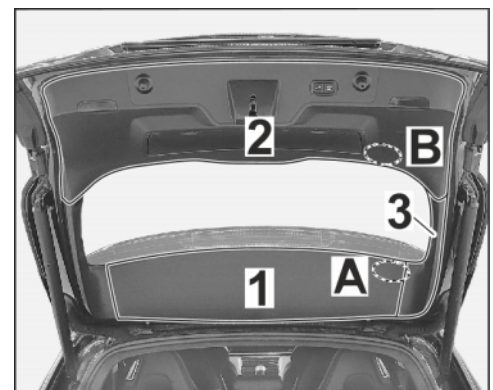


Figure 5 (Sport Turismo)

1.3.2 **ONLY** for Basic/Executive:

- Remove trim panel for rear lid, bottom. ⇒ *Figure 5 (Sport Turismo) -2-*
- Remove trim panel for center window frame. ⇒ *Figure 5 (Sport Turismo) -3-*

NOTICE**Adhesive films not prepared/installed correctly**

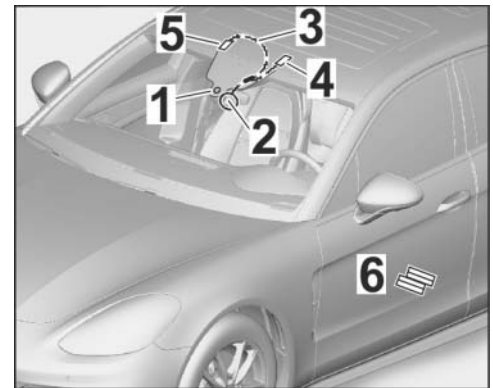
- **Damage to adhesive films**
 - **Inadequate adhesion of adhesive films**
- ⇒ **Carefully clean the areas on which you intend to stick the film to ensure that all traces of oil, grease and silicone are completely removed.**
- ⇒ **Do not touch the bonding surfaces.**
- ⇒ **Object (adhesive film, vehicle, etc.) and ambient temperature: Minimum temperature 15°C / 59°F.**

2 Installing front camera

Overview of installation position ⇒ *Front camera*

- 1 – Interior mirror
- 2 – Installation position of front camera
- 3 – Electric wiring harness
- 4 – Power supply
- 5 – Rear camera connection (video signal)
- 6 – Fuse carrier (under left front seat)

- 2.1 Position front camera (dashcam) to the **LEFT** of the interior mirror on the windscreen



Front camera

2.1.1 Install retainer plate with wire harness on the base of the front camera until the locking mechanism engages (⇒ *Figure 6*).

- 1 – Retainer plate with wire harness
- 2 – Front camera base

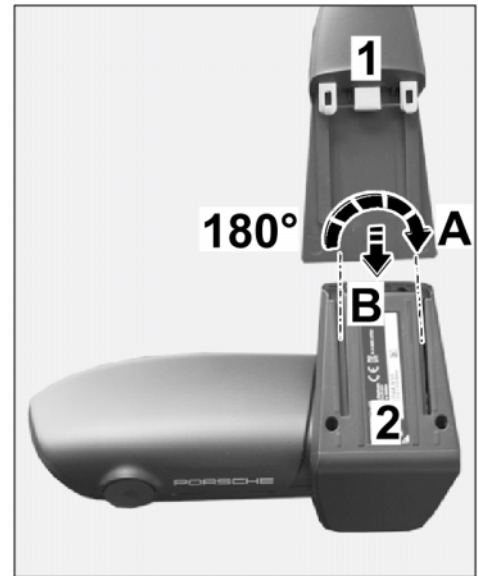


Figure 6

2.1.2 Trace the outline of the interior mirror base (⇒ *Figure 7-1-*) on the outside of the windscreen using a marking pencil/chalk.

- 1 – Interior mirror base
- 2 – Outline of front camera base
- 3 – Interior mirror
- 4 – Front camera
- X – 295 mm/ 11.61 in
- Z – 26 mm/ 1.02 in

2.1.3 Copy dimensions X and Z on the windscreen (⇒ *Figure 7-top-*).

Dimension X = distance from lower edge of outline of front camera base to edge of roof: **Length 295 mm/ 11.61 in**

Dimension Z = distance from inner edge of outline of front camera base to inner edge of outline of interior mirror base (circle): **Length 26 mm/ 1.02 in**

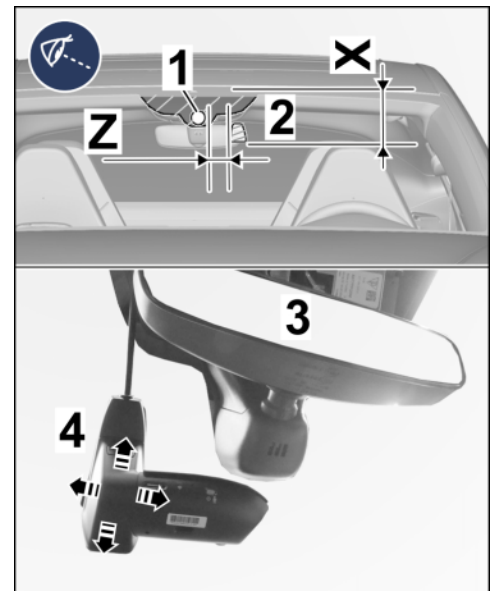


Figure 7

**Information**

Observe the following points during positioning/alignment:

- Sufficient distance between front camera and interior mirror base: at least 5 mm/ 0.2 in!
- Get another person standing in front of the vehicle to check and confirm the horizontal alignment of the camera with the PORSCHE logo!

2.1.4 Position front camera with retainer plate in the vehicle at the marking on the windscreen (⇒ *Figure 7 -Arrow-*).

2.1.5 Get another person to trace and shade in the outline of the retainer plate on the outside of the windscreen using a marking pencil/chalk.

2.1.6 Clean the inside of the windscreen in the bonding area for the retainer plate (shaded area) to remove any dust and grease.

2.2 Install front camera (dashcam) on the windscreen

2.2.1 Pull 3M privacy film off the backing sheet (⇒ *Figure 8 -A-*).

- 1 – 3M privacy film (front camera)
- 2 – Marked bonding surface
- 3 – Interior mirror base

2.2.2 Position 3M privacy film on the marked bonding surface on the windscreen (⇒ *Figure 8 -B-*) and stick it.

2.2.3 Carefully affix 3M privacy film using a plastic squeegee, starting from the center and moving towards the edge.

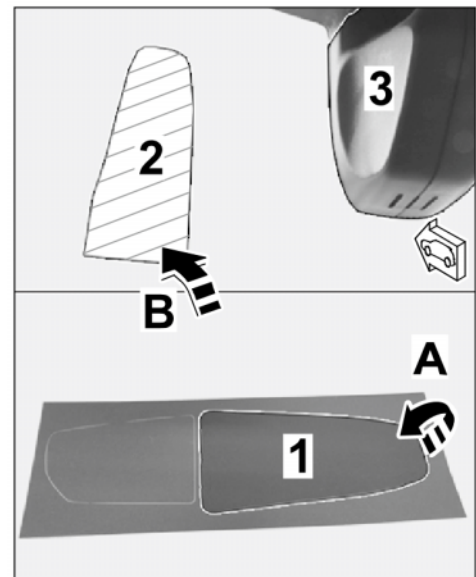


Figure 8

2.2.4 Pull protective film off the front camera retainer plate (⇒ *Figure 9-top-*).



Information

Observe the following points during positioning/alignment:

- Sufficient distance between front camera and interior mirror base: at least 5 mm/ 0.2 in!
- Get another person standing in front of the vehicle to check and confirm the horizontal alignment of the camera with the PORSCHE logo!

Align front camera with retainer plate symmetrically with respect to the 3M privacy film (⇒ *Figure 9-bottom-*).

2.2.5 Press front camera with retainer plate firmly onto the 3M privacy film on the wind-screen.



Information

Route electric wire harness along existing wiring, if installed.

Make sure that safety components (airbags, etc.) are still working correctly!

2.3 Routing and connecting electric wire harness

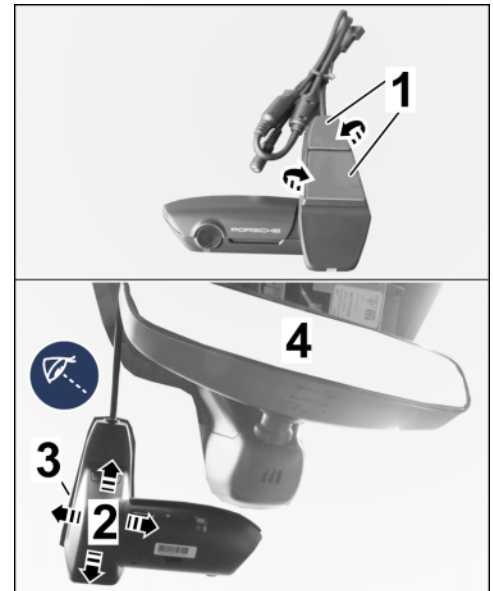


Figure 9

Line routing ⇒ *Figure 10*:

- 1** – PORSCHE front camera
- 2** – Front camera retainer plate with wire harness
- 3** – Power supply pre-fitting
- 4** – Rear camera pre-fitting
- 5** – Tie-wrap

- Front camera → headliner/roof console
→ along left side of roof console
cut-out (viewed in direction of travel) →
power supply pre-fitting → rear camera
pre-fitting

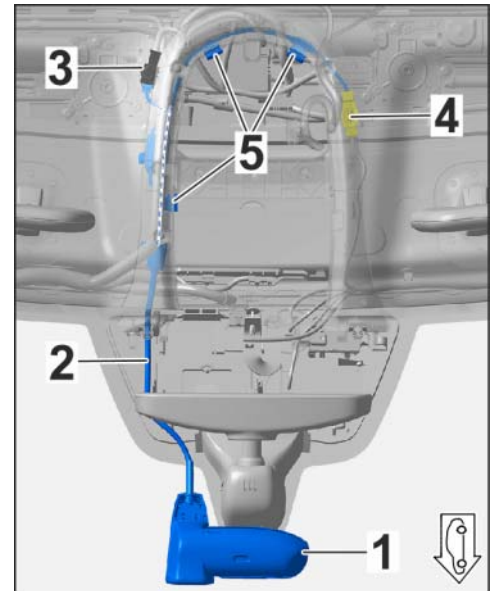


Figure 10

- 2.3.1 Expose plug connection for power supply pre-fitting and rear camera pre-fitting in the roof console area.
⇒ *Figure 11*

- 1** – Power supply pre-fitting
- 2** – Rear camera pre-fitting

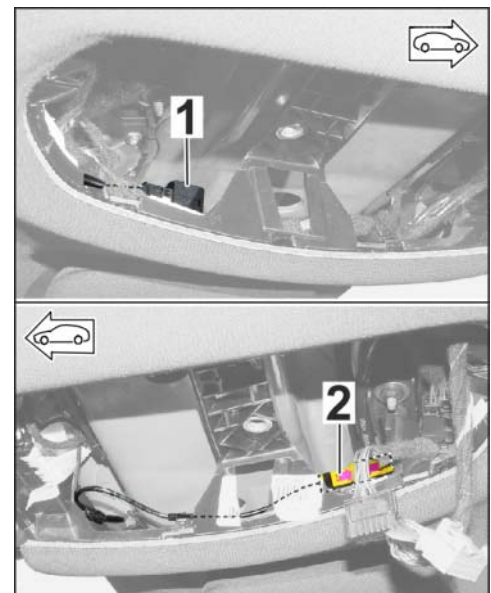


Figure 11

2.3.2 Guide wire harness for front camera (dashcam) below headliner frame to roof console. ⇒ *Figure 12*

- 1** – Wire harness for front camera
- 2** – Headliner frame
- 3** – Protective foam roll

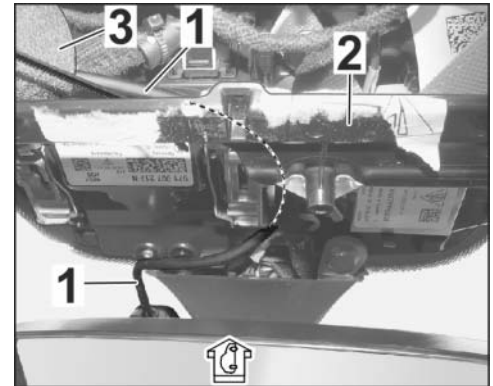


Figure 12

2.3.3 Push protective foam roll (⇒ *Figure 12-3-*) over plug connections.

2.3.4 Connect plug connection for power supply pre-fitting (roof console at the left in direction of travel).

2.3.5 Route branch for rear camera along the existing lines for preparing the rear camera (roof console at the right in direction of travel).

2.3.6 Connect plug connection for the rear camera pre-fitting and re-fit it in the holder.

2.4 Make groove for wire harness for retainer plate in cover on antenna (⇒ *Figure 13*).

- 1** – Antenna cover
- 2** – Locking lug
- 3** – Groove
- D** – Diameter of groove approx. 5 mm

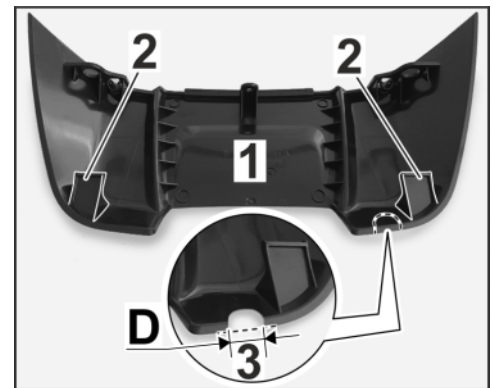


Figure 13

2.4.1 Install antenna cover provisionally on the roof console.

2.4.2 Check that the front camera wire harness is routed vertically from retainer plate to the roof and mark the position of the outer wire harness on the antenna cover.

2.4.3 Remove antenna cover from the roof console and check whether the marking is at the left or right of the left retaining bar.

2.4.4 Make a groove (approx. 5 mm) for the wire harness for the retainer plate at the side of the left locking lug.

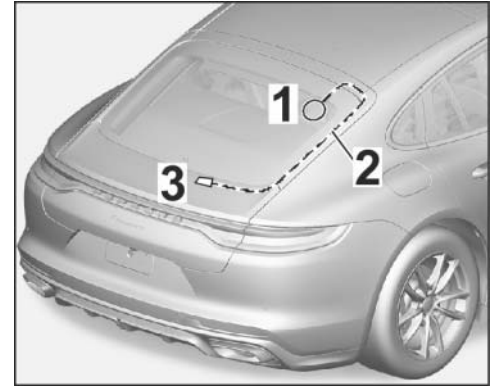
2.5 Install antenna cover. ⇒ *Workshop Manual '708319 Removing and installing front roof console'*

2.6 Secure routed wire harness to existing lines/components in the vehicle with tie-wraps without tensile stress and so that no chafing occurs.

3 Installing rear camera

Basic/Executive vehicle overview of installation position of rear camera: ⇒ *Basic/Executive rear camera*

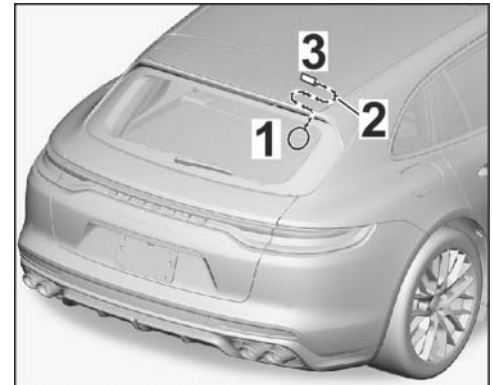
- 1 – Installation position of rear camera
- 2 – Electric wiring harness
- 3 – Rear camera pre-fitting



Basic/Executive rear camera

Sport Turismo vehicle rear camera installation position overview: ⇒ *Sport Turismo rear camera*

- 1 – Installation position of rear camera
- 2 – Electric wiring harness
- 3 – Rear camera pre-fitting



Sport Turismo rear camera



Information

Depending on the body (basic/Executive or Sport Turismo), the pre-fitting of the rear camera in the respective vehicle is done in different areas in the tailgate (right).

- Basic/Executive: In frame under the rear window, right
- Sport Turismo: In frame above the rear window, right

The position of the rear camera on the respective rear window also differs according to the tilt angle-design of the respective rear window- tailgate.

3.1 **Basic/Executive vehicle (BE):** Position rear camera on rear window.

3.1.1 Copying dimensions to rear window
⇒ Figure 14

- 1 - Bead in tailgate frame
- 2 - Edge of rear window
- 3 - Outline of rear camera base

X-BE - 204 mm/ 8.03 in
Z-BE - 137 mm/ 5.39 in

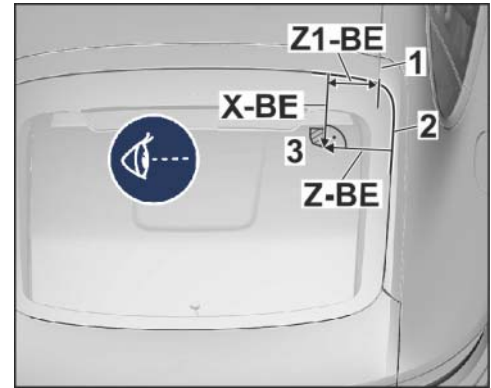


Figure 14

Dimension Z1-BE = Distance from bead of tailgate frame to rear camera base (right edge): **Length 75 mm/ 3.35 in**

Dimension X-BE = distance from upper edge of rear window to rear camera base (lower edge): **Length 204 mm/ 8.03 in**

Dimension Z-BE = distance from rear window (right edge) / rear camera base (bottom right corner): **Length 137 mm/ 5.39 in**

3.1.2 Install rear camera base on the outside of the rear window.

3.1.3 Trace and hatch the outline of the rear camera base using a grease stick/chalk. ⇒ Figure 14-3-

3.2 **Sport Turismo vehicle (ST):** Position rear camera on rear window.

3.2.1 Copying dimensions to rear window
⇒ Figure 15

- 1 - Corner of roof spoiler
- 2 - Corner of tailgate/lower edge of rear window
- 3 - Outline of rear camera base

X-ST - 364 mm/ 14.33 in
Z-ST - 208 mm/ 8.19 in

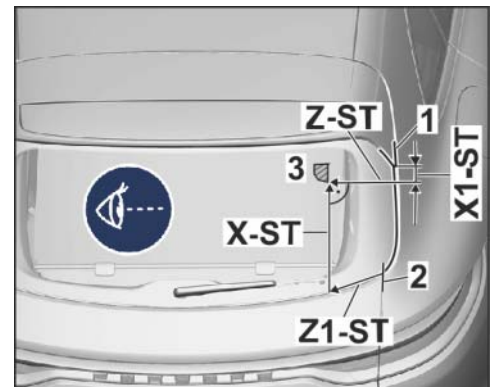


Figure 15

Dimension Z1-ST = Distance from corner of tailgate / to left (lower edge of rear window): **Length 215 mm/ 8.46 in**

Dimension X1-ST = distance from corner of spoiler (right) / downwards (rear window, right edge): **Length 30 mm/ 1.18 in**

Dimension X-ST = distance from lower edge of rear window / upwards to rear camera base (bottom right corner): **Length 364 mm/ 14.33 in**

Dimension Z-ST = distance from rear window (right edge) / to the left to the rear camera base (bottom right corner): **Length 208 mm/ 8.19 in**

- 3.2.2 Install rear camera base on the outside of the rear window.
- 3.2.3 Trace and hatch the outline of the rear camera base using a grease stick/chalk. ⇒ *Figure 15-3-*
- 3.3 Sticking on privacy film
- 3.3.1 Clean bonding area for rear camera (marking) on the inside of the rear window to remove any dust and grease.
- 3.3.2 Pull 3M privacy film (rear camera) off the backing sheet. ⇒ *Figure 16 (Example Sport Turismo) -A-*
- 1** – 3M privacy film (rear camera)
2 – Marked bonding surface
- 3.3.3 Position 3M privacy film on the marked bonding surface on the windscreen inside (⇒ *Figure 16 (Example Sport Turismo) -B-*) and glue it on.
- 3.3.4 Carefully affix 3M privacy film using a plastic squeegee, starting from the center and moving towards the edge.
- 3.4 Installing rear camera on rear window
- 3.4.1 Insert jack plug for wire harness into rear camera (⇒ *Figure 17 -Arrow-*) and position line in cable duct.
- 1** – Connector with wire harness
2 – Rear camera
3 – Cable duct
4 – Protective film
- 3.4.2 Pull protective film (⇒ *Figure 17 -4-*) off the rear camera base.

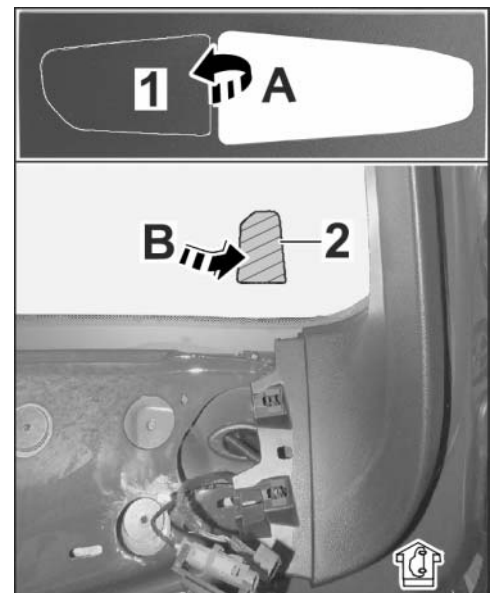


Figure 16 (Example Sport Turismo)

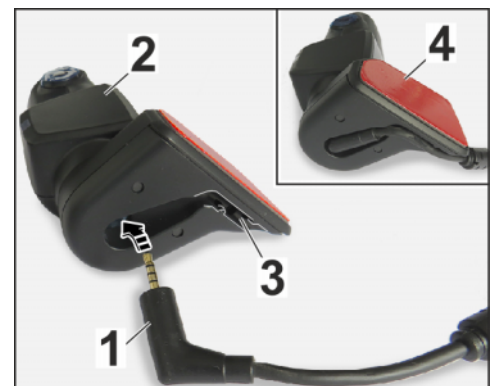


Figure 17

3.4.3 Align rear camera symmetrically with respect to the 3M privacy film on the inside of the rear window, install it and press it firmly onto the rear window. ⇒ *Figure 18 (Example Sport Turismo)*

- 1 – Rear camera
- 2 – Connector with wire harness
- 3 – Wrap clip (ONLY Sport Turismo)

3.5 **Basic/Executive vehicle:** Route and connect wire harness

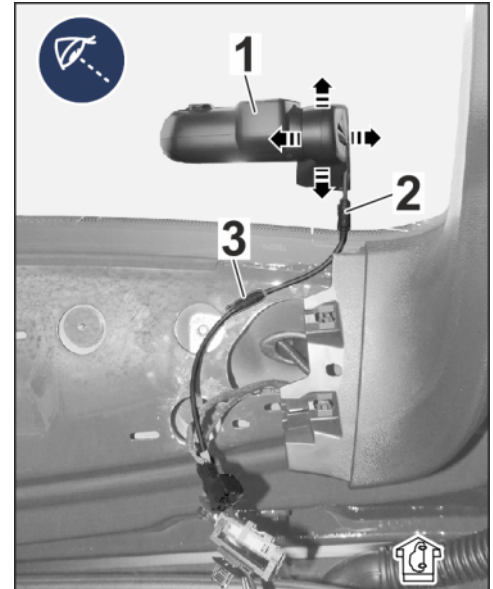


Figure 18 (Example Sport Turismo)

Line routing: ⇒ *Figure 19*

- 1 – Rear camera
- 2 – Wire harness
- 3 – Power supply
- 4 – Video signal
- 5 – Video signal plug connection holder

- Rear camera → rear window frame (top) → along rear window frame (right-hand side, viewed in direction of travel) → power supply pre-fitting → video signal pre-fitting

3.5.1 Route wire harness along the existing lines for the rear camera pre-fitting (underneath rear window).

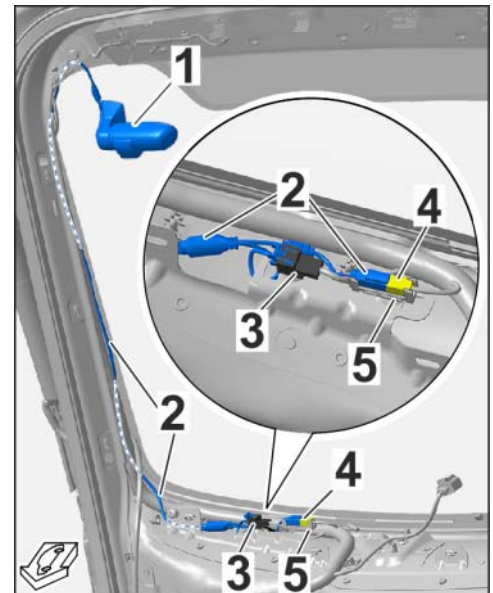


Figure 19

3.5.2 Connect plug connection for power supply pre-fitting (underneath rear window). ⇒ *Figure 20-1-*

- 1 – Power supply
- 2 – Video signal plug connection
- 3 – Holder
- 4 – Dummy plug

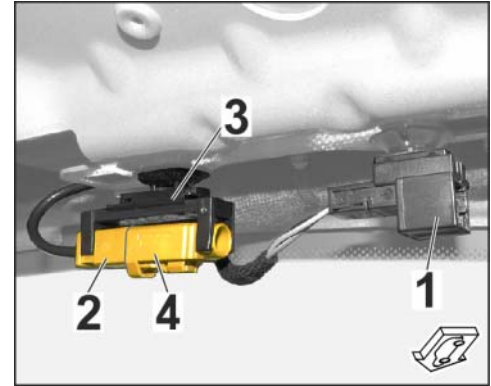


Figure 20

3.5.3 Remove video signal plug connection from holder and remove dummy plug. ⇒ *Figure 20*

3.5.4 Connect plug connection for video signal pre-fitting and install it in the holder.

3.5.5 Secure routed wire harness to existing lines/components in the vehicle with tie-wraps without tensile stress and so that no chafing occurs.

3.6 **Sport Turismo vehicle:** Route and connect wire harness

Line routing: ⇒ *Figure 21*

- 1 – Rear camera
- 2 – Wire harness
- 3 – Power supply
- 4 – Video signal
- 5 – Tie-wrap holder
- 6 – Wrap clip

- Rear camera → rear window frame (top)
→ power supply pre-fitting → video
signal pre-fitting

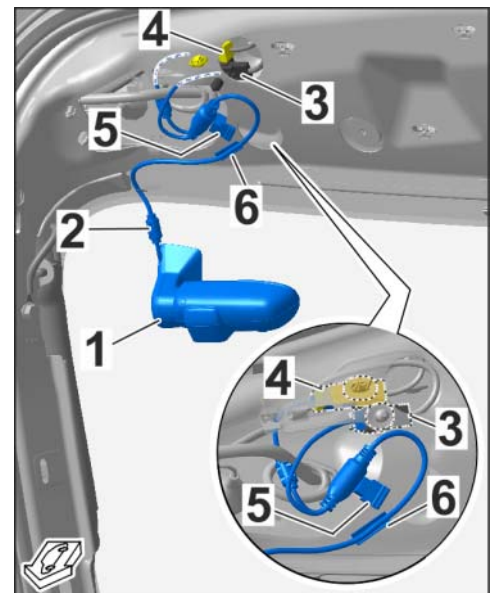


Figure 21

3.6.1 Carefully remove the power supply retaining clip and video signal retaining clip from the tailgate and guide it outwards out of the rear lid cavity. ⇒ *Figure 22*

- 1 – Retaining clip for power supply
- 2 – Retaining clip for video signal
- 3 – Dummy plug
- 4 – Wrap clip

3.6.2 Secure wire harness for rear camera to the tailgate frame using wrapping clip and insulating tape. ⇒ *Figure 22 -4-*

3.6.3 Connect plug connection for power supply pre-fitting.

3.6.4 Remove video signal plug connection from holder and remove dummy plug (⇒ *Figure 22 -3-*).

3.6.5 Connect plug connection for video signal pre-fitting and installing it in the holder.

3.6.6 Position both lines in the rear lid cavity and install the relevant retaining clip into the tailgate. ⇒ *Figure 23*

- 1 – Retaining clip for power supply
- 2 – Retaining clip for video signal
- 3 – Tie-wrap holder
- 4 – Y-splitter

3.6.7 Install tie-wrap (⇒ *Figure 23-3-*) in the cut-out in the tailgate. Secure the remaining line in the Y-splitter area with a tie-wrap.

Secure the remaining line in the Y-splitter area with a tie-wrap.

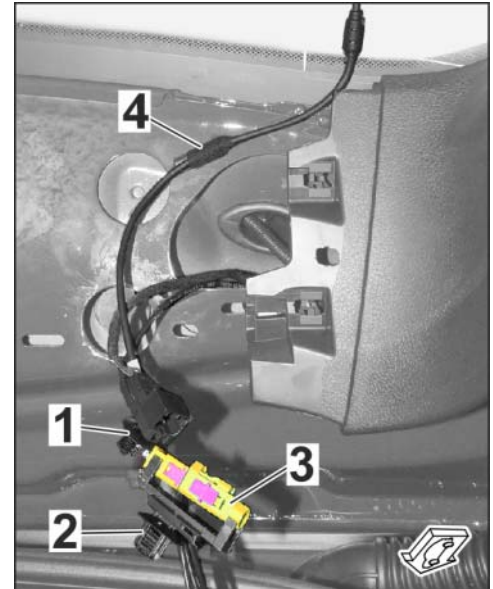


Figure 22

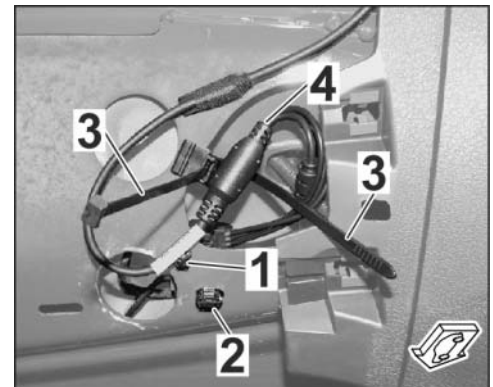


Figure 23

4 Concluding work in vehicle interior

4.1 Rear lid area

4.1.1 Make groove for wire harness for rear camera in trim panel for window frame at the center.

4.1.2 **ONLY** for Basic/Executive:

- Install trim panel for center window frame.
- Install trim panel for rear lid, bottom.

4.1.3 Install trim panel for center window frame. ⇒ *Workshop Manual '709219 Removing and installing trim panel for rear lid'*4.2 Install (front) roof console. ⇒ *Workshop Manual '708319 Removing and installing front roof console'*4.3 Protecting front and rear cameras against short circuits and overload damage (⇒ *Figure 24*)

4.3.1 Move the left front seat as far back as possible in the fore-and-aft position. Set seat height to maximum.

4.3.2 Expose fuse carrier under the left front seat by folding over the carpet cover you just cut out.

- 1** – Carpet cover
- 2** – Fuse carrier
- 3** – Fuse, 5A
- C** – Fuse strip C

4.3.3 Insert slot 1 into fuse strip C = C1 (⇒ *Figure 24-3-*) with a new fuse.**Setpoint value 5 A**

- Coding: 5 Coding PORSCHE front and rear cameras in dealer mode

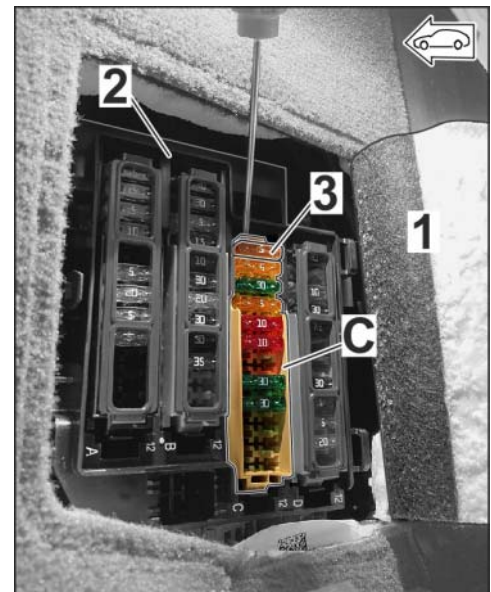


Figure 24

5.1 Preparatory work

- 1 – PORSCHE front camera
- 2 – Micro SD memory card (32 GB)
- 3 – Retainer plate
- 4 – Power button
- 5 – WiFi status LED display
- 6 – PRESS (release button)

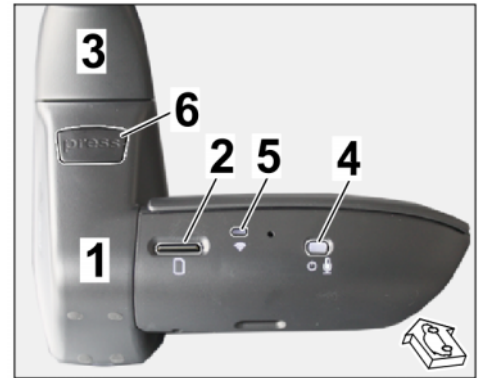


Figure 25

- 5.1.1 Remove micro SD memory card (32 GB, ⇒ *Figure 25-2-*) from card slot for front camera.
- 5.1.2 With the ignition switched on, push the front camera (dashcam ⇒ *Figure 25-1-*) on to the retainer plate on the wind-screen (⇒ *Figure 25-3-*).
- 5.1.3 Press the power button (⇒ *Figure 25-4-*) for 10 seconds until you hear the second double beeping sound.
- 5.1.4 The front camera (dashcam) starts in Dealer mode: WiFi LED (⇒ *Figure 25-5-*) lights up "yellow".

5.2 Connect the front camera (dashcam) to the device (tablet, smartphone or PC)



Information

The "Dealer mode" network ID name ends with a "D". A password is **NOT** required!

The language setting can be changed by following the menu prompts after opening the first page.

- 5.2.1 Search available networks for Dealer mode WiFi.
- 5.2.2 Open Dealer mode on the device (tablet, smartphone or PC) using any browser.
To do this, enter "**192.168.1.1/diagnostics**" in the browser's address line.
- 5.2.3 Displays in "Dealer mode" main menu:

Options: (⇒ *Figure 26*)

- 1 – Browser's address line
- 2 – "Options" menu item

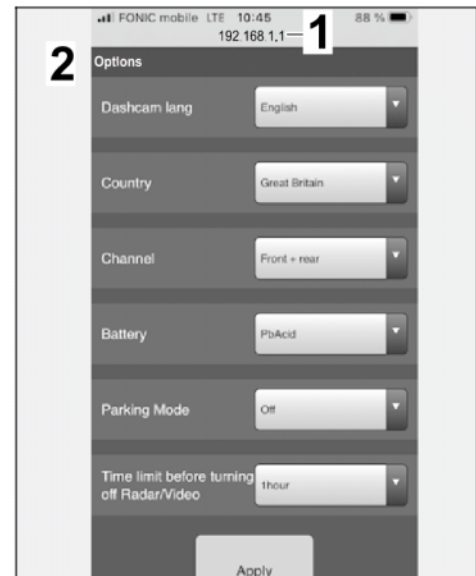


Figure 26

Diagnosis: (⇒ *Figure 27*)

- 1 – Browser's address line
- 2 – "Diagnostics" menu item

5.3 Basic settings for front camera (dashcam) in the "Options" (⇒ *Figure 28*) menu item

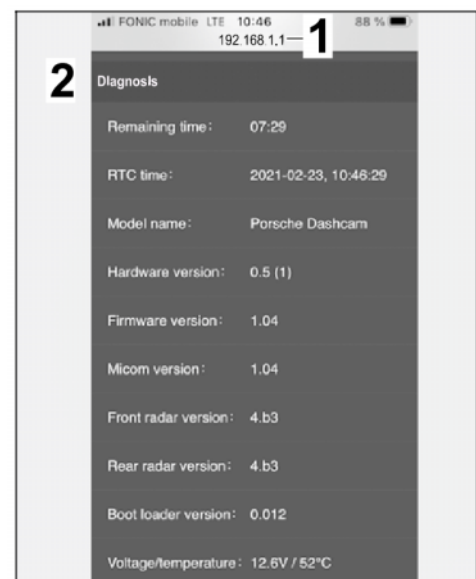


Figure 27

- 5.3.1 Change the default language "English" to the desired language:
- 1 - Default language "English"
 - 2 - German

Example: German (⇒ Figure 28)

- Up to 19 different languages can be selected.

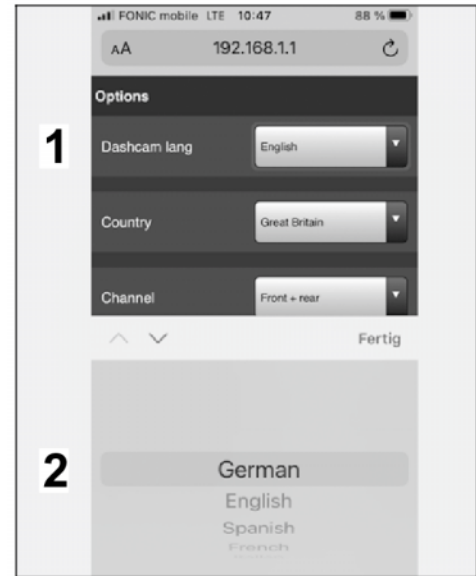


Figure 28



Information

If the relevant country is **NOT** displayed in the drop-down menu: Please select "Global".

- 5.3.2 Select country (⇒ Figure 29).
- 1 - Serial number of front and rear cameras
 - 2 - Country
 - 3 - Great Britain

- Up to 48 countries are currently available for selection.
- The Country selection screen includes, for example: Units of measurement, frequencies and also legal regulations of the respective country.
- **Panamera:** ⇒ Choose Region/ State/ Country by selecting the appropriate flag.

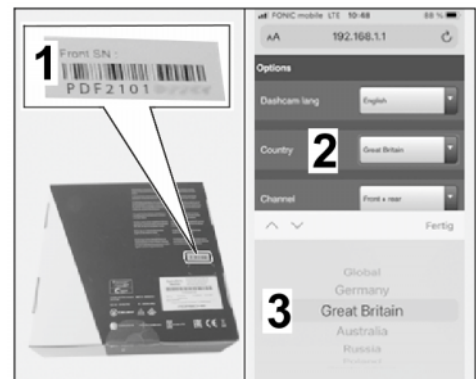


Figure 29

5.3.3 Select the required camera channel
(⇒ *Figure 30*).

- 1 - Channel
 - 2 - Front + Rear
- **TEQUIPMENT:** ⇒ "Front + rear" is preset.

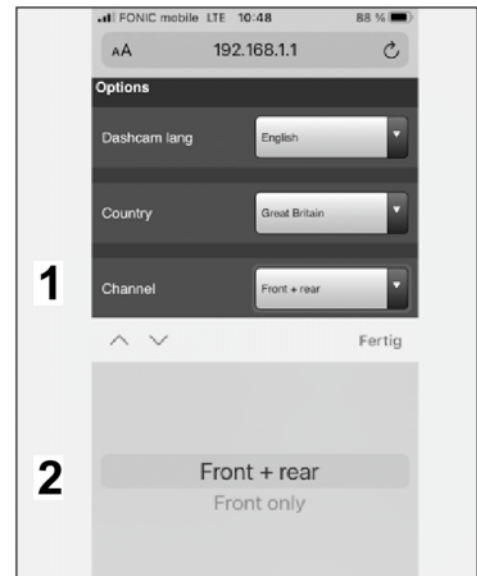


Figure 30



Information

Check which vehicle electrical system battery is installed in the vehicle if necessary by entering the vehicle identification number (VIN) in the Porsche Central Service System (PCSS).

Background: The front camera shuts down if the correct battery voltage (switch-off threshold) is not reached over a period of 5 minutes.

- Switch-off threshold for lead-acid battery (PbAcid) = 11 V

- Switch-off threshold for lithium-ion battery (LiFePO) = 13 V
- 5.3.4 Select the battery type (⇒ *Figure 31*)
- 1 – Battery
 - 2 – PbAcid
- Select the vehicle electrical system battery installed in the vehicle.
 - **Panamera:** ⇒ Lead-acid battery (PbAcid)

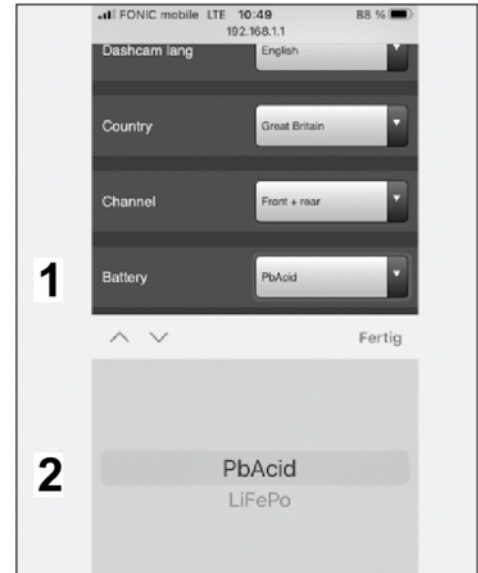


Figure 31

- 5.3.5 Select Park mode (⇒ *Figure 32*)
- 1 – Park mode
 - 2 – Off
- Depending on the approval for the respective vehicle.
 - **Panamera:** ⇒ Select "On".

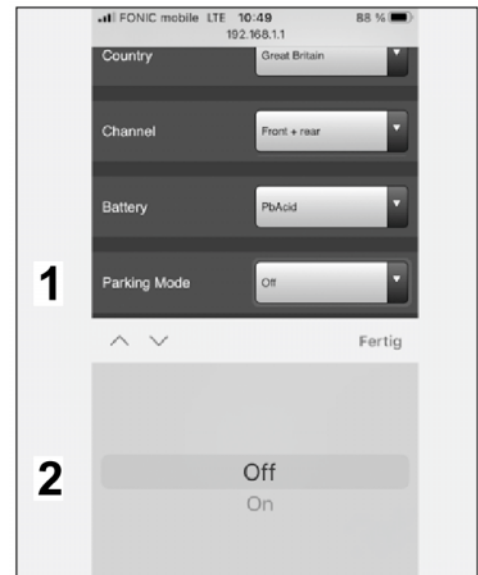
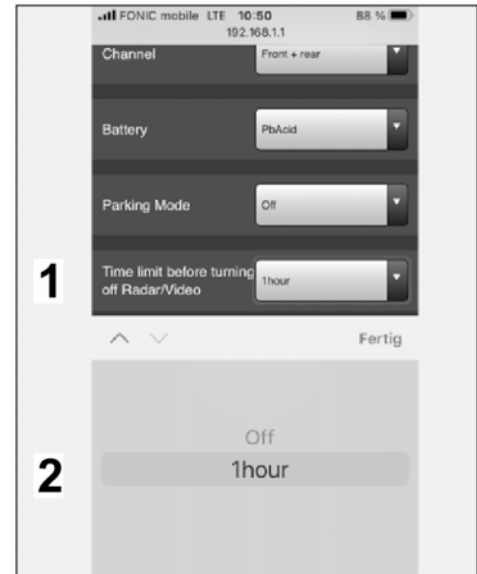


Figure 32

5.3.6 Select the time limit (⇒ *Figure 33*)

- 1 – Time limit until radar/video is switched off
 - 2 – 1 hour
- Turn off radar/video monitoring in Park mode (battery management). After the selected time limit, fast activation of the monitoring system **ONLY** occurs if the vehicle shakes/vibrates!
 - **Panamera:** ⇒ Skip. Leave the default setting.

*Figure 33*

5.4 Cancel Dealer mode (WiFi LED is still yellow)

5.4.1 Close the browser and switch off ignition.

5.4.2 Pull the front camera (dashcam) off the retainer plate by pressing "PRESS" (release button).

5.4.3 Insert micro SD memory card (32 GB) in the front camera (dashcam).

5.4.4 Install the front camera (dashcam) in the retainer plate.

5.5 The settings configured under **Step 5.3** are set when the ignition is switched on again.

5.6 Format the micro SD memory card (32 GB)

5.6.1 Switch on ignition.

5.6.2 Press the power button quickly 6 times in a row within 3 seconds.

Announcements via front camera loudspeaker: "Formatting in progress." and "Formatting completed."

Diagnostics: 6 Diagnostics – **ONLY** if required.

Information can be displayed, function tests can be run and results can be stored in the "Diagnostics" menu item.

6.1 Information about the model name, hardware and software version, radar and more (⇒ *Figure 34*).

- 1 – Model name
- 2 – Hardware version
- 3 – Software version

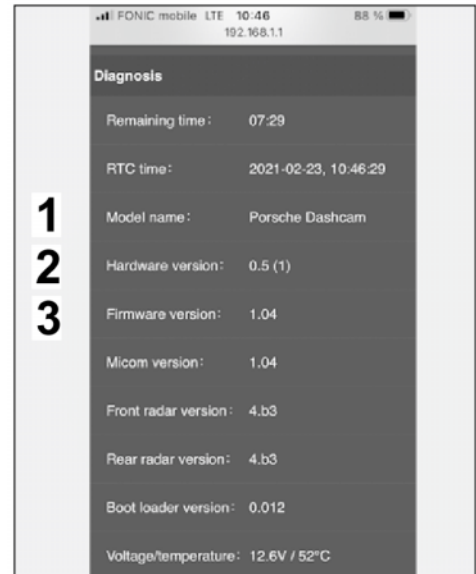


Figure 34

6.2 Display of live images from front camera, connection status, memory card status, GPS and radar status and more (⇒ *Figure 35*).

- 1 – Front camera live image
- 2 – Rear camera status
- 3 – Micro SD memory card contents
- 4 – GPS status
- 5 – GPS coordinates

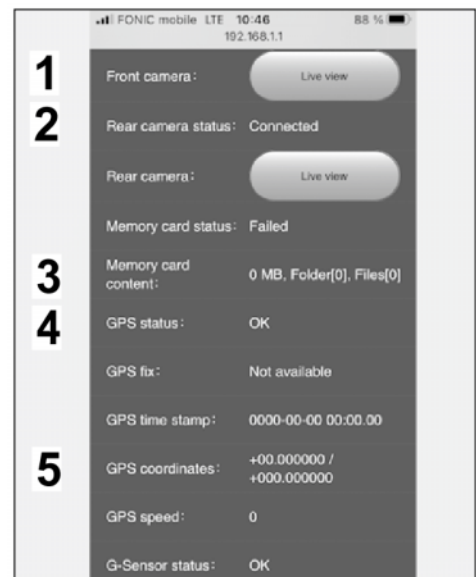


Figure 35

6.3 Display of radar status, possible tests for LED lights, loudspeaker and microphone (⇒ Figure 36)

- 1 – Radar status
- 2 – LED Lights test
- 3 – Loudspeaker test
- 4 – Microphone test

6.4 The fault report can be stored on the micro SD memory card (32 GB). To do this, use micro SD memory card in Dealer mode and select "Diagnostics" menu item in the front camera.

Assembly: 7 Concluding work

7.1 Select the fault memory of all systems, work through any existing faults and erase the fault memory. ⇒ *Workshop Manual 'OX03IN Diagnostics maintenance: Diagnostic system and maintenance inter...'*

7.2 Disconnect the battery charger. ⇒ *Workshop Manual '2X00IN Work instructions after disconnecting the battery'.*

7.3 Vehicle handover to customer



Information

Please pass all this information on to the customer.

Also give the customer the PORSCHE dashcam operating instructions.

Also give the first 3 pages of these Installation and Conversion Instructions to the customer.

7.3.1 Download the app from the App Store to the customer's device (smartphone/tablet).

7.3.2 Select and set Region/ State/ Country (flag) in the app on the customer's smartphone/tablet.

7.3.3 Get the customer to perform firmware update using the app.

7.3.4 Format micro SD memory card (32 GB).

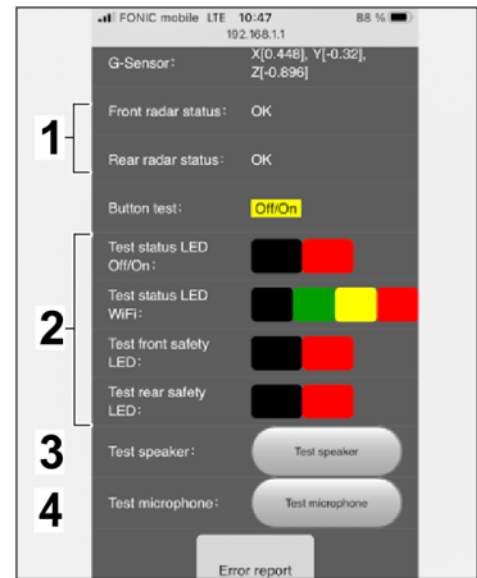


Figure 36

91 63 23 42: –PORSCHE front and rear cameras (1 x) retrofitted–

Labor time: **252 TU**

Includes: Install PORSCHE front camera (dashcam) on the windscreen,
 route and connect electrics;
 Install PORSCHE rear camera on the rear window, route and
 connect electrics;
 Format coding of the PORSCHE front and rear cameras in
 dealer mode and in the micro SD memory card,
 Select fault memory, correct faults and delete them.

Important Notice: Technical Bulletins issued by Porsche Cars North America, Inc. are intended only for use by professional automotive technicians who have attended Porsche service training courses. They are written to inform those technicians of conditions that may occur on some Porsche vehicles, or to provide information that could assist in the proper servicing of a vehicle. Porsche special tools may be necessary in order to perform certain operations identified in these bulletins. Use of tools and procedures other than those Porsche recommends in these bulletins may be detrimental to the safe operation of your vehicle, and may endanger the people working on it. Properly trained Porsche technicians have the equipment, tools, safety instructions, and know-how to do the job properly and safely. Part numbers listed in these bulletins are for reference only. The work procedures updated electronically in the Porsche PIWIS diagnostic and testing device take precedence and, in the event of a discrepancy, the work procedures in the PIWIS Tester are the ones that must be followed.

© 2022 Porsche Cars North America, Inc.