



SERVICE BULLETIN

Classification: BT22-007	Reference: NTB22-068	Date: August 2, 2022
-----------------------------	-------------------------	-------------------------

WATER LEAKING FROM REAR WIPER ARM PIVOT SEAL

APPLIED VEHICLES: 2021-2022 Rogue (T33)

IF YOU CONFIRM

Water is found to be leaking around the rear window wiper arm pivot seal after performing a water soak test.

ACTION

Replace the rear window wiper arm pivot seal with the one listed in **PARTS INFORMATION** on page 3.

IMPORTANT: The purpose of **ACTION** (above) is to give you a quick idea of the work you will be performing. You **MUST** closely follow the entire **SERVICE PROCEDURE** as it contains information that is essential to successfully completing this repair.

Nissan Bulletins are intended for use by qualified technicians, not 'do-it-yourselfers'. Qualified technicians are properly trained individuals who have the equipment, tools, safety instruction, and know-how to do a job properly and safely. **NOTE:** If you believe that a described condition may apply to a particular vehicle, **DO NOT** assume that it does. See your Nissan dealer to determine if this applies to your vehicle.

SERVICE PROCEDURE

1. Replace the rear wiper arm pivot seal (#2 in Figure 1).
 - Refer to the ESM: **DRIVER CONTROLS > WIPER & WASHER > REMOVAL AND INSTALLATION > REAR WIPER > WIPER MOTOR**

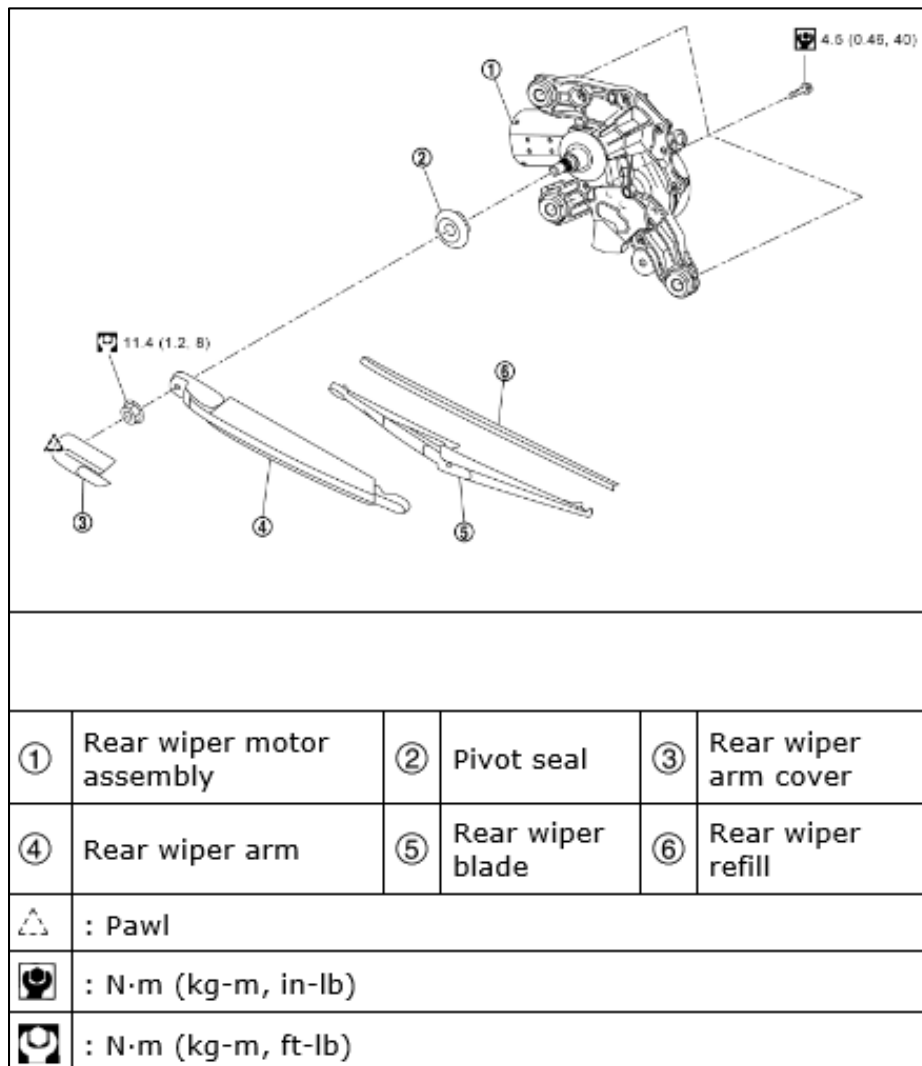


Figure 1

PARTS INFORMATION

DESCRIPTION	PART NUMBER	QUANTITY
SEAL - PIVOT	28716-JE20A	1

CLAIMS INFORMATION

Submit a Primary Part (PP) type line claim using the following claims coding:

DESCRIPTION	PFP	OP CODE	SYM	DIA	FRT
Replace Rear Wiper Motor	(1)	RH10AA	ZQ	53	(2)

- (1) Reference the electronic parts catalog and use the Pivot Seat (28716-*****) as the Primary Failed Part (PFP).
- (2) Reference the current Nissan Warranty Flat Rate Manual and use the indicated Flat Rate Time (FRT).

AMENDMENT HISTORY

PUBLISHED DATE	REFERENCE	DESCRIPTION
August 2, 2022	NTB22-068	Original bulletin published

