

REFERENCE:	Nova Bus Manuals
SECTION:	09: Engine and Cooling
RS N°:	MQR 7621-2428

APPLICATION DEADLINE: 2023OC21  
CLAIM REFERENCE NUMBER: WB-5237

SUBJECT:	Engine air filter housing
JUSTIFICATION:	Difficulty in removing the engine air filter housing cover affecting ease of serviceability of the filter.

LEVEL	DESCRIPTION	DIRECT CHARGES		TIME
		LABOUR	MATERIAL	
1	Installation of air filter assembly	Nova Bus	Nova Bus	1 h
2	–	–	–	–

#### MATERIAL REQUIRED PER VEHICLE

QTY	PART N°	REV.	DESCRIPTION
<b>LEVEL 1</b>			
2	N21456	A	Bushing
1	N43064		Air Filter Assembly
2	N41207	C	Support Air Filter
<b>LEVEL 2</b>			
–	–	–	–

Materials will be available within 46 days once your order has been placed.

To order, please contact [novabus.parts@volvo.com](mailto:novabus.parts@volvo.com)

Or by phone for USA 1-877-999-8808

Specify document number, quantity of parts required and shipping address.

#### DISPOSAL OF PARTS

REMOVED PARTS ARE:	DISCARDED *	RETAINED	
	–	–	* Dispose of the unused parts and the defective parts in accordance with local environmental standards in effect.

#### REVISION HISTORY

REV.	DATE	CHANGE DESCRIPTION	WRITTEN BY
NR	2022MR10	Initial release	Rajendra N M
R1	2022MA03	Revised parts and Client list	Devanand
R2	2022AU18	Revised labor hour 0.75 to 1 hr	Rajendra N M

APPROVED BY:

Jean-Nicolas Fournier

Digitally signed by Jean-Nicolas Fournier  
DN: cn=Jean-Nicolas Fournier, o=Nova Bus,  
email=jean-nicolas.fournier@volvo.com, c=CA  
Date: 2022.08.25 09:15:49 -04'00'

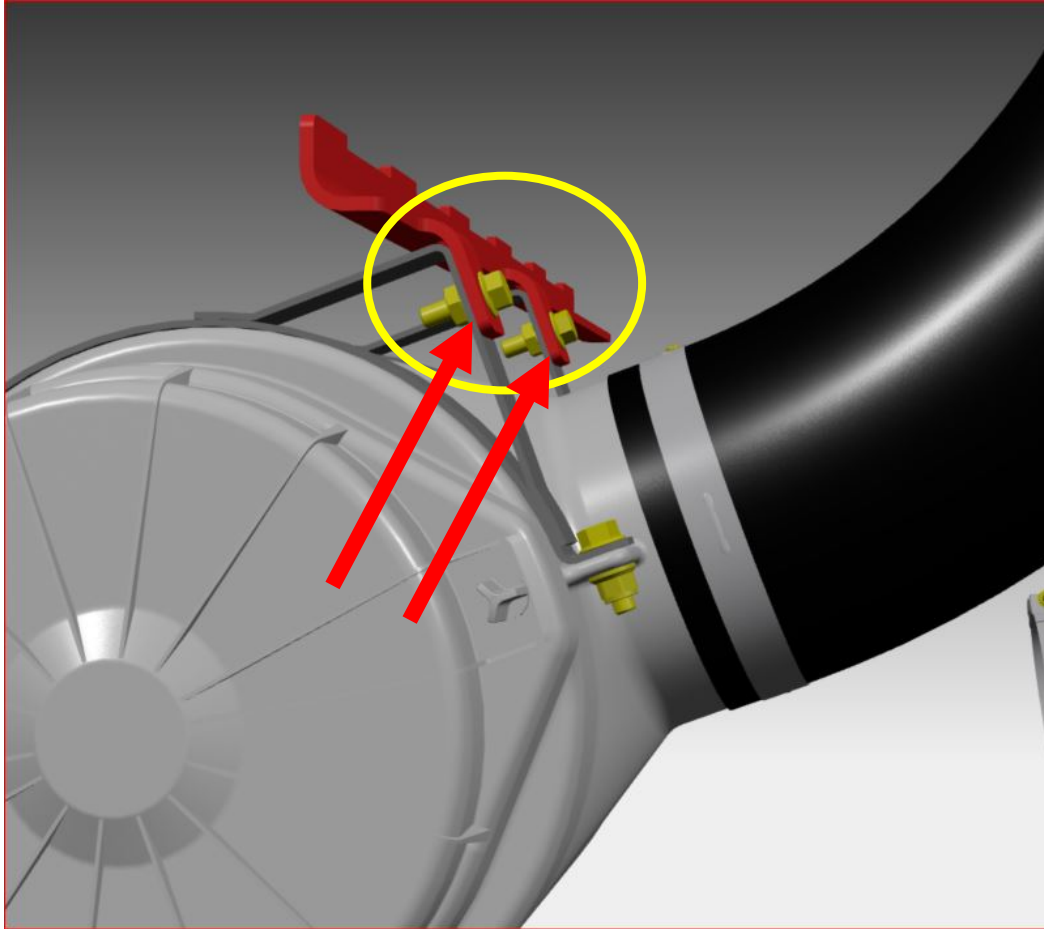
PAGE 1 OF 3

NQF772004 VERSION 3

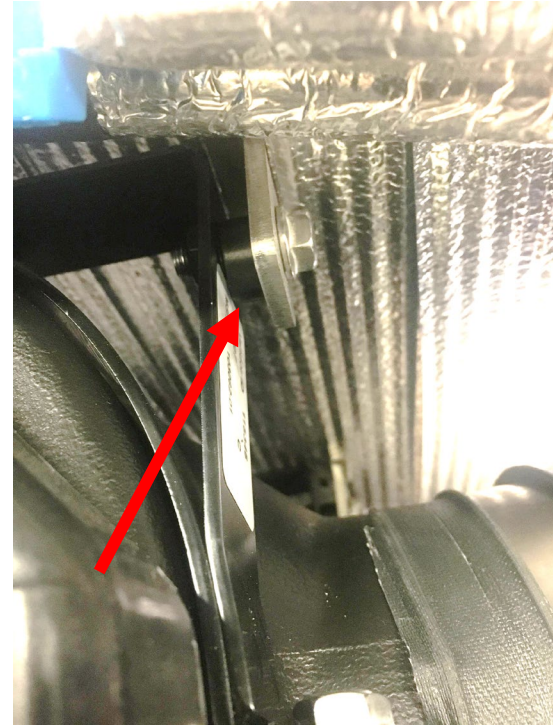
CLIENT	ORDER	ROAD NUMBER		VIN (2NVY/4RKY...)		QTY
		FROM	TO	FROM	TO	
New York City Transit New York - NYCT	LC79	9624	9629	L82L3M9777783	L82L2M9777788	6
New York City Transit New York - NYCT	LC79	9633	9633	L82L4M9777792	L82L4M9777792	1
New York City Transit New York - NYCT	LC79	9636	9637	L82LXM9777795	L82L1M9777796	2
New York City Transit New York - NYCT	LC79	9639	9639	L82L5M9777798	L82L5M9777798	1
New York City Transit New York - NYCT	LC79	9644	9646	L82L5M9777803	L82L9M9777805	3
New York City Transit New York - NYCT	LC79	9648	9648	L82L2M9777807	L82L2M9777807	1
New York City Transit New York - NYCT	LC79	9650	9650	L82L6M9777809	L82L6M9777809	1
New York City Transit New York - NYCT	LC79	9652	9654	L82L4M9777811	L82L8M9777813	3
New York City Transit New York - NYCT	LC79	9656	9674	L82L1M9777815	L82L3M9777833	19
New York City Transit New York - NYCT	LC79	9676	9676	L82L7M9777835	L82L7M9777835	1
New York City Transit New York - NYCT	LC79	9678	9684	L82L0M9777837	L82L6M9777843	7
New York City Transit New York - NYCT	LC79	9691	9691	L82L3M9777850	L82L3M9777850	1
New York City Transit New York - NYCT	LC79	9694	9694	L82L9M9777853	L82L9M9777853	1
New York City Transit New York - NYCT	LC79	9696	9696	L82L2M9777855	L82L2M9777855	1
New York City Transit New York - NYCT	LC79	9698	9703	L82L6M9777857	L82LXM9777862	6
New York City Transit New York - NYCT	LC79	9705	9705	L82L3M9777864	L82L3M9777864	1
New York City Transit New York - NYCT	LC79	9707	9708	L82L7M9777866	L82L9M9777867	2
New York City Transit New York - NYCT	LC79	9710	9721	L82L2M9777869	L82L3M9777881	12
New York City Transit New York - NYCT	LC79	9723	9725	L82L7M9777883	L82L0M9777885	3
New York City Transit New York - NYCT	LC79	9727	9736	L82L4M9777887	L82L9M9777903	10
New York City Transit New York - NYCT	LC79	9738	9740	L82L2M9777905	L82L6M9777907	3
New York City Transit New York - NYCT	LC79	9742	9742	L82LXM9777909	L82LXM9777909	1
New York City Transit New York - NYCT	LC79	9744	9746	L82L8M9777911	L82L1M9777913	3
New York City Transit New York - NYCT	LC79	9748	9780	L82L5M9777915	L82L7M9777950	33
New York City Transit New York - NYCT	LC79	9782	9784	L82L0M9777952	L82L4M9777954	3
New York City Transit New York - NYCT	LD64	9787	9787	L82L8M9777956	L82L8M9777956	1
New York City Transit New York - NYCT	LD64	9791	9791	L82L0M9777966	L82L0M9777966	1
New York City Transit New York - NYCT	LD64	9794	9796	L82L6M9777969	L82L4M9777971	3
New York City Transit New York - NYCT	LD64	9800	9803	L82L1M9777975	L82L7M9777978	4
New York City Transit New York - NYCT	LD64	9805	9806	L82L5M9777980	L82L7M9777981	2
New York City Transit New York - NYCT	LD64	9810	9810	L82LXM9777991	L82LXM9777991	1
New York City Transit New York - NYCT	LD64	9812	9812	L82L3M9777993	L82L3M9777993	1
New York City Transit New York - NYCT	LD64	9816	9816	L82L0M9777997	L82L0M9777997	1
New York City Transit New York - NYCT	LD64	9828	9833	L82L7M9778015	L82L1M9778026	6
New York City Transit New York - NYCT	LD64	9836	9836	L82L7M9778029	L82L7M9778029	1
New York City Transit New York - NYCT	LD64	9839	9839	L82L7M9778032	L82L7M9778032	1
New York City Transit New York - NYCT	LD64	9841	9842	L82L6M9778040	L82L8M9778041	2
New York City Transit New York - NYCT	LD64	9844	9845	L82L1M9778043	L82L3M9778044	2
New York City Transit New York - NYCT	LD64	9848	9848	L82L4M9778053	L82L4M9778053	1
New York City Transit New York - NYCT	LD64	9850	9850	L82L8M9778055	L82L8M9778055	1
New York City Transit New York - NYCT	LD64	9853	9853	L82L3M9778058	L82L3M9778058	1
New York City Transit New York - NYCT	LD64	9856	9856	L82L3M9778061	L82L3M9778061	1
New York City Transit New York - NYCT	LD64	9863	9863	L82L5M9778076	L82L5M9778076	1
New York City Transit New York - NYCT	LD64	9882	9882	L82L5M9778112	L82L5M9778112	1

CLIENT	ORDER	ROAD NUMBER		VIN (2NVY/4RKY...)		QTY
		FROM	TO	FROM	TO	
Maryland Transit Authority - MTA	LD82	21001	21003	L82J2M9777921	L82J3M9777961	3
Maryland Transit Authority - MTA	LD82	21004	21011	L82J5M9777962	L82J6M9777985	8
Maryland Transit Authority - MTA	LD82	21013	21013	L82JXM9777987	L82JXM9777987	1
Maryland Transit Authority - MTA	LD82	21014	21014	L82J6M9777999	L82J6M9777999	1
Maryland Transit Authority - MTA	LD82	21015	21015	L82J7M9778000	L82J7M9778000	1
Maryland Transit Authority - MTA	LD82	21016	21020	L82J9M9778001	L82J0M9778016	5
Maryland Transit Authority - MTA	LD82	21021	21021	L82J2M9778017	L82J2M9778017	1
Maryland Transit Authority - MTA	LD82	21022	21023	L82J4M9778018	L82J6M9778019	2
Maryland Transit Authority - MTA	LD82	21024	21024	L82J2M9778020	L82J2M9778020	1
Maryland Transit Authority - MTA	LD82	21025	21029	L82J4M9778021	L82J6M9778036	5
Maryland Transit Authority - MTA	LD82	21030	21030	L82J8M9778037	L82J8M9778037	1
Maryland Transit Authority - MTA	LD82	21031	21034	L82JXM9778038	L82J0M9778047	4
Maryland Transit Authority - MTA	LD82	21035	21036	L82J2M9778048	L82J4M9778049	2
Maryland Transit Authority - MTA	LD82	21037	21037	L82J0M9778050	L82J0M9778050	1
Maryland Transit Authority - MTA	LD82	21038	21038	L82J7M9778062	L82J7M9778062	1
Maryland Transit Authority - MTA	LD82	21039	21042	L82J9M9778063	L82J4M9778066	4
Maryland Transit Authority - MTA	LD82	21043	21044	L82J6M9778067	L82J8M9778068	2
Maryland Transit Authority - MTA	LD82	21045	21045	L82JXM9778069	L82JXM9778069	1
Maryland Transit Authority - MTA	LD82	21046	21046	L82J2M9778079	L82J2M9778079	1
Maryland Transit Authority - MTA	LD82	21047	21050	L82J9M9778080	L82J4M9778083	4
Maryland Transit Authority - MTA	LD82	51051	21070	L82J6M9778084	L82J9M9778127	20

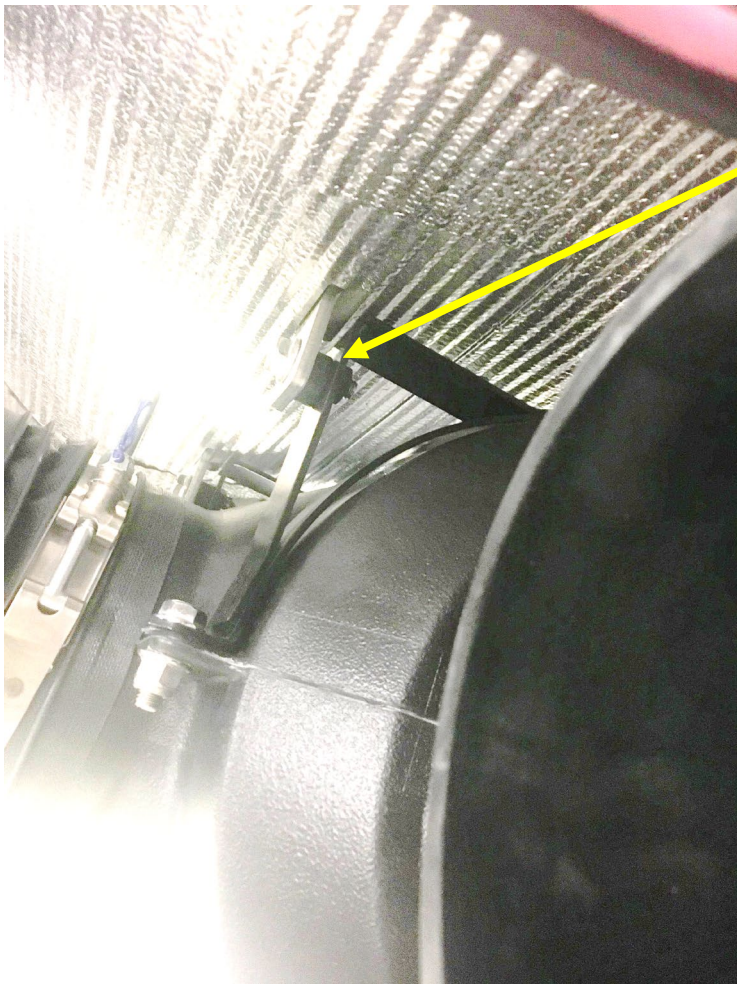
G093A



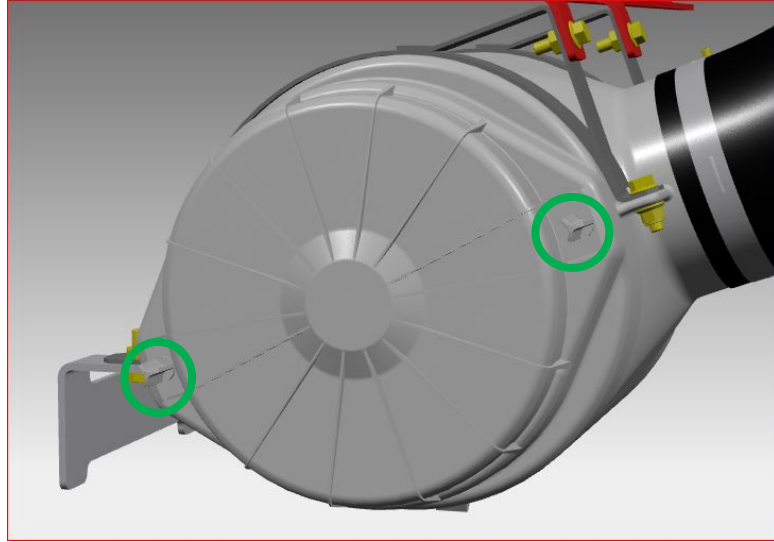
Add one (1) N21456 spacer between  
The structure support and the air filter  
bracket on each side



STREET SIDE



N21456 spacer on inner bracket



Remove the two cover screws, remove the cover pull the air filter out, then put the filter back in checking to see that it fits well. Put on cover and insert two cover screws, hand tighten the cover screws, use NO tools !