



TECHNICAL SERVICE BULLETIN

Classification:

HA22-002

Reference:

NTB22-043

Date:

May 24, 2022

A/C COMPRESSOR SERVICE INFORMATION

APPLIED VEHICLES: 2020 Titan/Titan XD (A61)

SERVICE INFORMATION

If the A/C Compressor on an **APPLIED VEHICLE** is removed or replaced for any reason, follow the updated torque sequence, as shown in Figure 1.

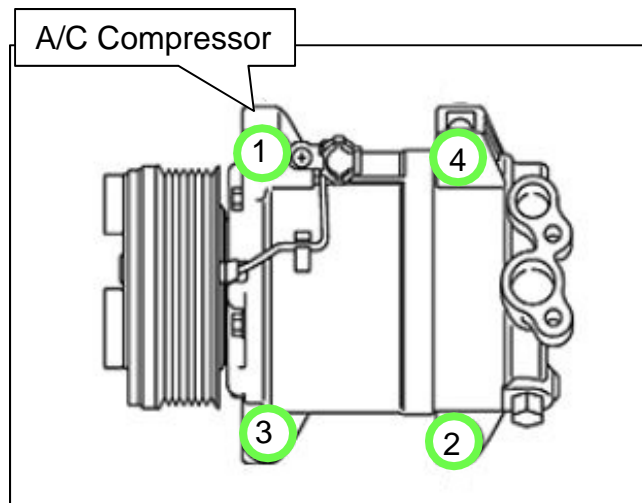


Figure 1

Nissan Bulletins are intended for use by qualified technicians, not 'do-it-yourselfers'. Qualified technicians are properly trained individuals who have the equipment, tools, safety instruction, and know-how to do a job properly and safely. **NOTE:** If you believe that a described condition may apply to a particular vehicle, DO NOT assume that it does. See your Nissan dealer to determine if this applies to your vehicle.

PARTS INFORMATION

DESCRIPTION	PART NUMBER	QUANTITY
A/C Compressor	92600-9FV3A	1 As Needed

CLAIMS INFORMATION

Submit a Primary Part (PP) type line claim using the following claims coding:

DESCRIPTION	PFP	OP CODE	SYM	DIA	FRT
Replace Compressor	(1)	TD18AA	**	**	(2)

- (1) Reference the electronic parts catalog and use the A/C Compressor (92600-*****) as the Primary Failed Part (PFP).
 - (2) Reference the current Nissan Warranty Flat Rate Manual and use the indicated Flat Rate Time (FRT).
- ** Use Symptom and Diagnosis code appropriate for the repair performed.

AMENDMENT HISTORY

PUBLISHED DATE	REFERENCE	DESCRIPTION
May 24, 2022	NTB22-043	Original bulletin published