

**Gears Cannot be Shifted or Pop Out Again When Changing Gear: Checking Installation Position of Shift Cable (65/22)**

Vehicle Type: **718 Cayman GT4 (982)/718 Spyder (982) 718 Cayman GTS 4.0 (982)/718 Boxster GTS 4.0 (982)/Boxster 25 year (982)**

Model Year: **As of 2019**

Equipment: **6-speed manual transmission (M-No. 480)**

Concerns: **Shift cable support bracket**

Information: Customers complain that it is impossible to shift into gears R/1/ 3./ 5., the transmission cannot be shifted or gears pop out again when changing gear.  
This may be caused by a loose or disengaged shift cable on the support bracket of the transmission.

Action required: In the event of a customer complaint, check the installation position of the shift cable on the support and replace the support with a tolerance-optimized version if necessary.

**Required parts and tool**

Parts Info: **Required parts:**

Part No.	Designation - Location	Number
982711789A	⇒ Holder - Gear selector cable	1 piece

Tool:

- **VAS 6933 - Disassembly tool**
- **V.A.G 1331A - Torque wrench, 6-50 Nm (4.5-37 ftlb.)**

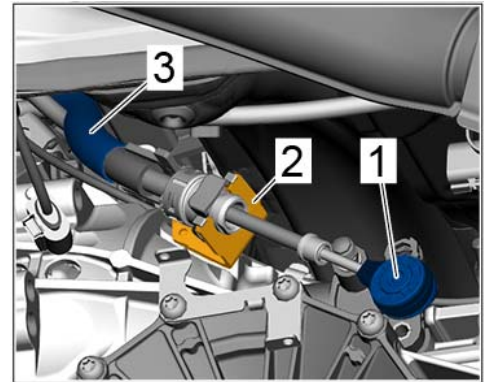
**Preliminary work**

- Work Procedure: 1 Shift transmission to neutral.
- 2 Remove the engine compartment lid.  
For instructions, see:  
⇒ *Workshop Manual '557819 Removing and installing engine compartment lid'*

**Checking installation position of support**

Work Procedure: 1 Check that ⇒ *Shift cable -3-* the shift cable is positioned correctly in the support bracket ⇒ *Shift cable -2-*.

- 1.1 If the shift cable is disengaged ⇒ *Shift cable -3-* from the support, continue with Replacing ⇒ *Technical Information '557819 support'*.
- 1.2 If the shift cable ⇒ *Shift cable -3-* is installed ⇒ *Shift cable -2-* correctly in the support, the cause of the fault must be analysed and corrected otherwise.



Shift cable

### Replacing support

Work Procedure: 1 Unclip ball hitch ⇒ *Shift cable -1-* using **VAS 6933 - disassembly tool**.

2 Unscrew screw on the support ⇒ *Shift cable -2-*.

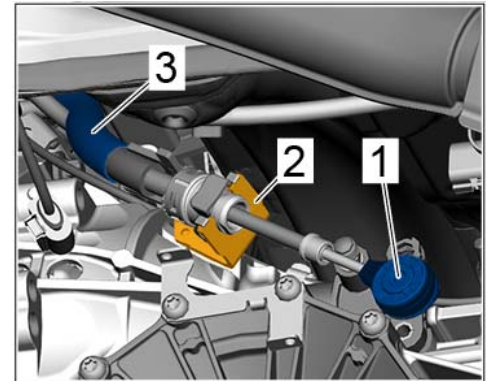
3 Remove support bracket ⇒ *Shift cable -2-*.

4 Install new support ⇒ *Shift cable -2-* and tighten screw on the support.

**Tightening torque 23 Nm (17 ftlb.)**

5 Push on and lock shift cable ⇒ *Shift cable -3-* on the support bracket ⇒ *Shift cable -2-*.

6 Clip in ball hitch ⇒ *Shift cable -1-* on manual transmission.



Shift cable

### Concluding work

Work Procedure: 1 Install engine compartment lid.  
For instructions, see:  
⇒ *Workshop Manual '557819 Removing and installing engine compartment lid'*

**Invoicing**

For documentation and warranty invoicing, enter the required working position and the specified PCSS encryption in the warranty claim:

APOS	Labor operation	I No.
34124950	Reworking shift cable	

PCSS encryption:

Location (FES5)	34120	Shift cable installed
Damage type (SA4)	1025	loosely

References: ⇒ *Workshop Manual '557819 Removing and installing engine compartment lid'*

**Important Notice:** Technical Bulletins issued by Porsche Cars North America, Inc. are intended only for use by professional automotive technicians who have attended Porsche service training courses. They are written to inform those technicians of conditions that may occur on some Porsche vehicles, or to provide information that could assist in the proper servicing of a vehicle. Porsche special tools may be necessary in order to perform certain operations identified in these bulletins. Use of tools and procedures other than those Porsche recommends in these bulletins may be detrimental to the safe operation of your vehicle, and may endanger the people working on it. Properly trained Porsche technicians have the equipment, tools, safety instructions, and know-how to do the job properly and safely. Part numbers listed in these bulletins are for reference only. The work procedures updated electronically in the Porsche PIWIS diagnostic and testing device take precedence and, in the event of a discrepancy, the work procedures in the PIWIS Tester are the ones that must be followed.

© 2022 Porsche Cars North America, Inc.